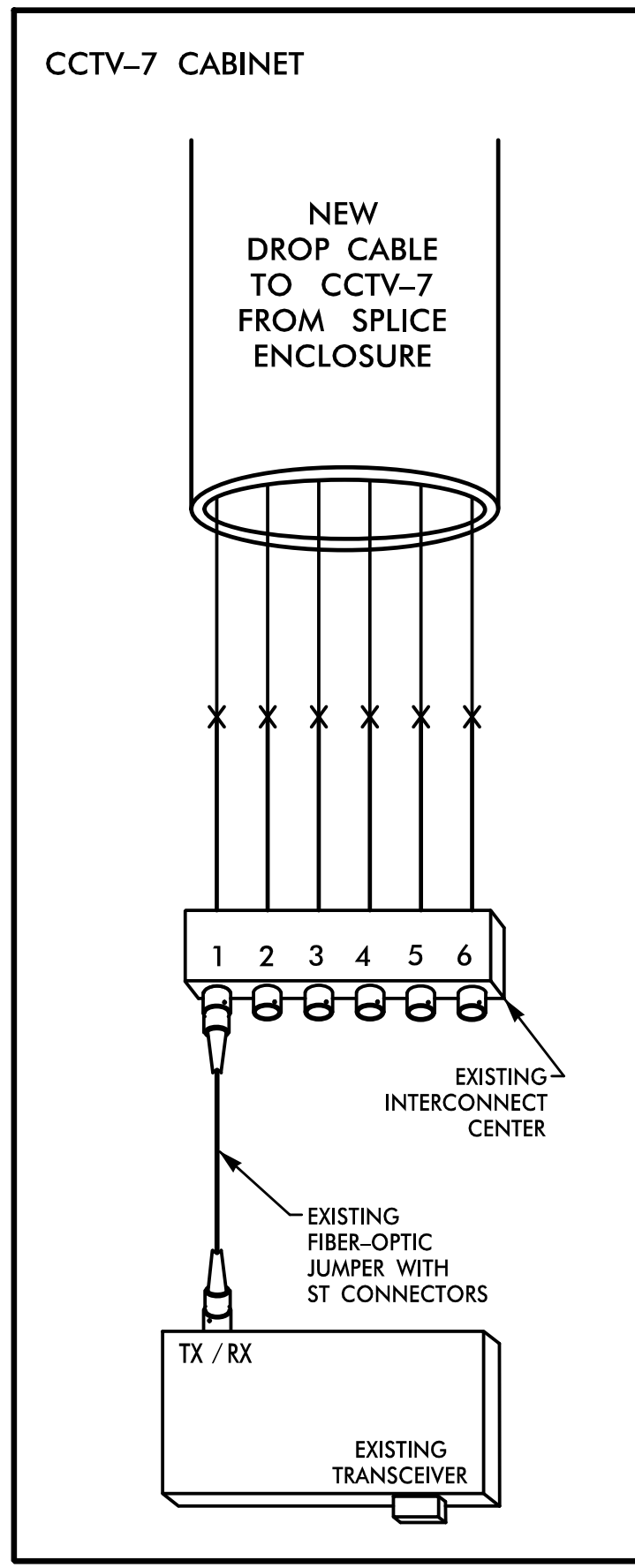
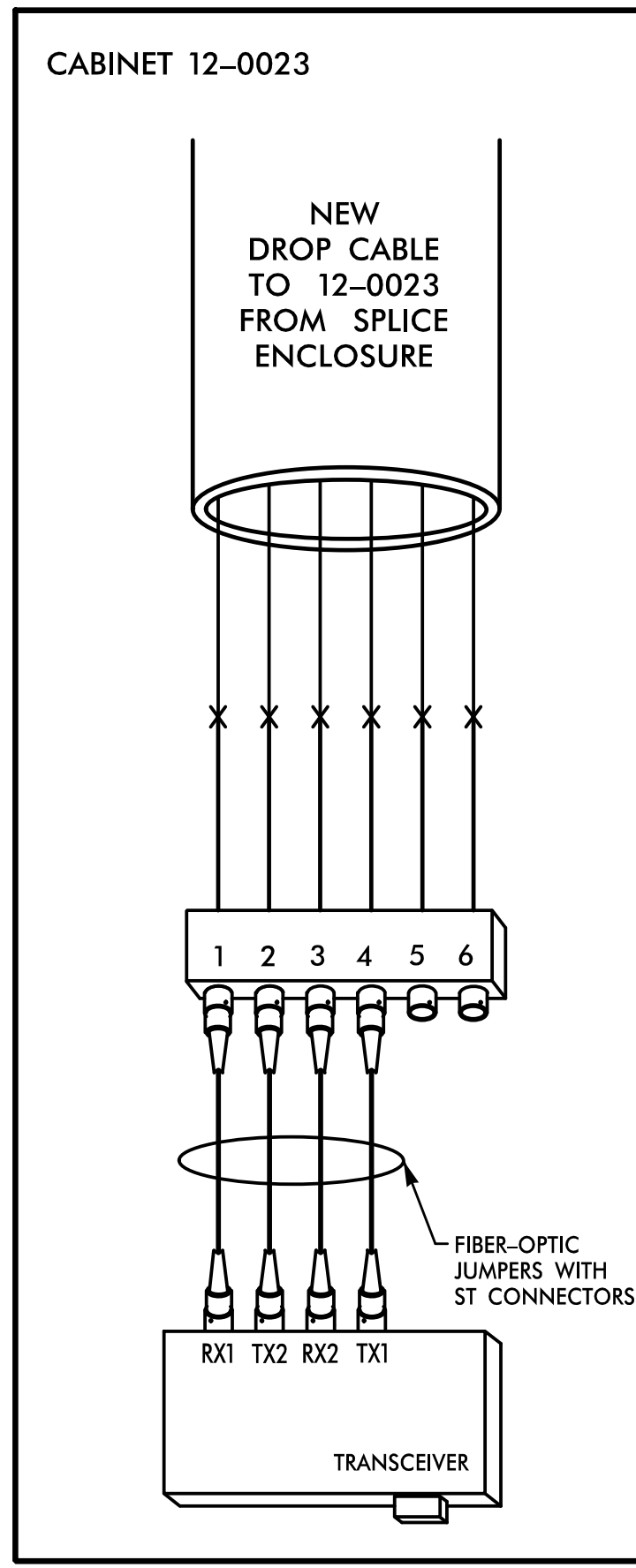
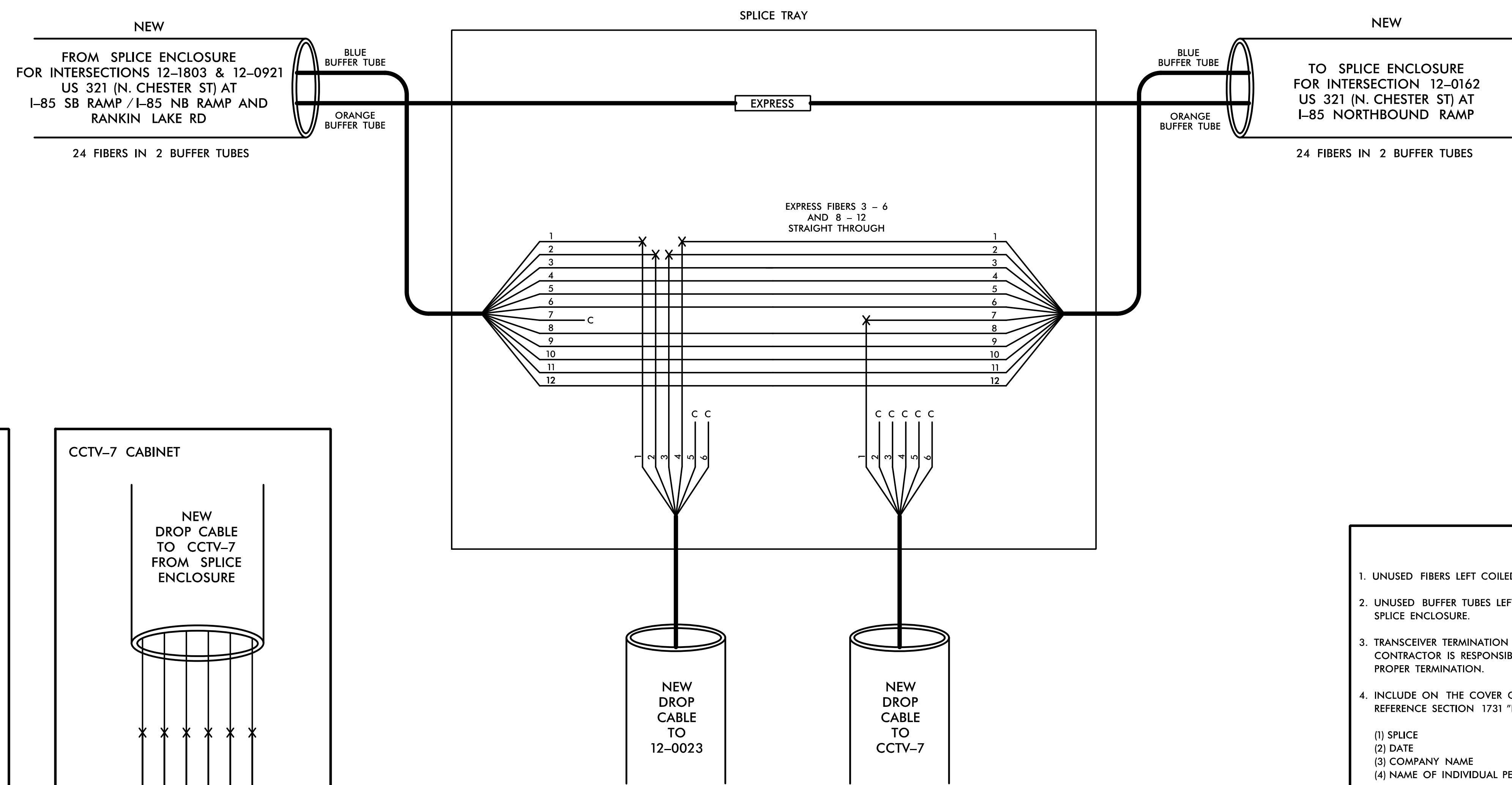


12-0023 & CCTV-7  
 US 321 (N. CHESTER ST) AT I-85 SOUTHBOUND RAMP  
 CHANNEL 11

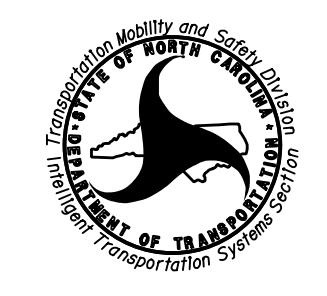

COLOR CODE		LEGEND	
T/A/E/A	598-C		
(1) BLUE	(7) RED	X =	NEW FUSION SPLICE INDIVIDUAL FIBER
(2) ORANGE	(8) BLACK	● =	EXISTING FUSION SPLICE
(3) GREEN	(9) YELLOW	C =	CAP AND SEAL
(4) BROWN	(10) VIOLET	EXPRESS	EXPRESS ENTIRE BUFFER TUBE THROUGH WITHOUT CUTTING
(5) SLATE	(11) ROSE	BUFFER SPLICE	SPLICE ALL FIBERS IN BUFFER TUBE COLOR TO COLOR
(6) WHITE	(12) AQUA		



- NOTES**
- UNUSED FIBERS LEFT COILED AND STORED IN SPLICE TRAY.
  - UNUSED BUFFER TUBES LEFT COILED AND STORED IN SPLICE ENCLOSURE.
  - TRANSCIVER TERMINATION CONFIGURATIONS ARE GENERIC. CONTRACTOR IS RESPONSIBLE FOR DETERMINING / ENSURING PROPER TERMINATION.
  - INCLUDE ON THE COVER OF EACH SPLICE TRAY THE FOLLOWING: REFERENCE SECTION 1731 "FIBER OPTIC SPLICE ENCLOSURE"
- (1) SPLICE  
 (2) DATE  
 (3) COMPANY NAME  
 (4) NAME OF INDIVIDUAL PERFORMING THE SPLICING
- PRIOR TO INSTALLING THE COVER ON THE SPLICE TRAY, TAKE A DIGITAL PHOTOGRAPH SHOWING THE SPLICE TRAY AND INFORMATION SHOWN ABOVE (1-4) AND SUBMIT PHOTOGRAPH ALONG WITH OTDR TEST RESULTS.

CHANNEL 11 - SIG. INV. # 12-0023 & CCTV-7 DOCUMENT NOT CONSIDERED FINAL UNLESS ALL SIGNATURES COMPLETED

**HNTB** HNTB NORTH CAROLINA, P.C.  
 343 E. Six Forks Road, Suite 200  
 Raleigh, North Carolina 27609  
 NC License No: C-1554  
 (919) 548-8997

Plans Prepared for:  250 N. Greenfield Place, Garner, NC 27529	<b>SPLICE DETAILS</b>		SEAL  H.L. Winstead, Jr. ENGINEER 11/8/2016
	Division 12 Gaston Co. Gastonia PLAN DATE: September 2016 REVIEWED BY: N.R. Simmons PREPARED BY: T.R. Terrell REVIEWED BY: H.L. Winstead	REVISIONS INIT. DATE	