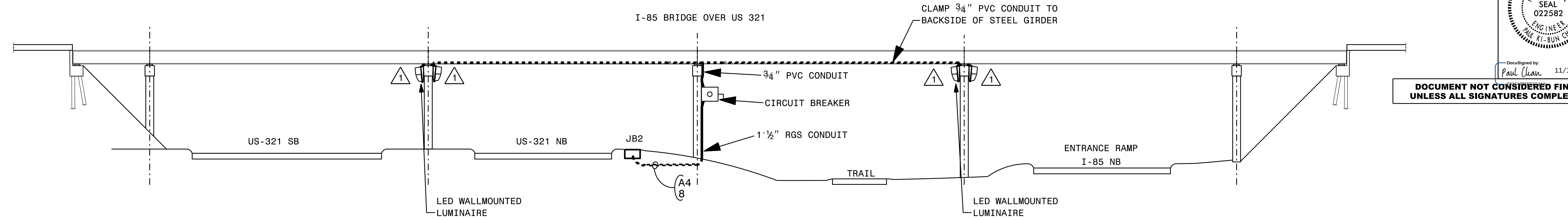




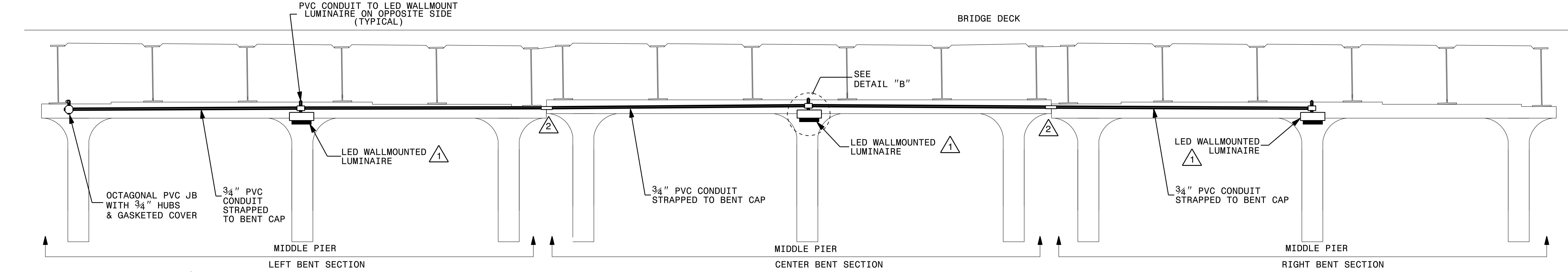
Designed by Paul Chan 11/1/2016

**DOCUMENT NOT CONSIDERED FINAL UNLESS ALL SIGNATURES COMPLETED**

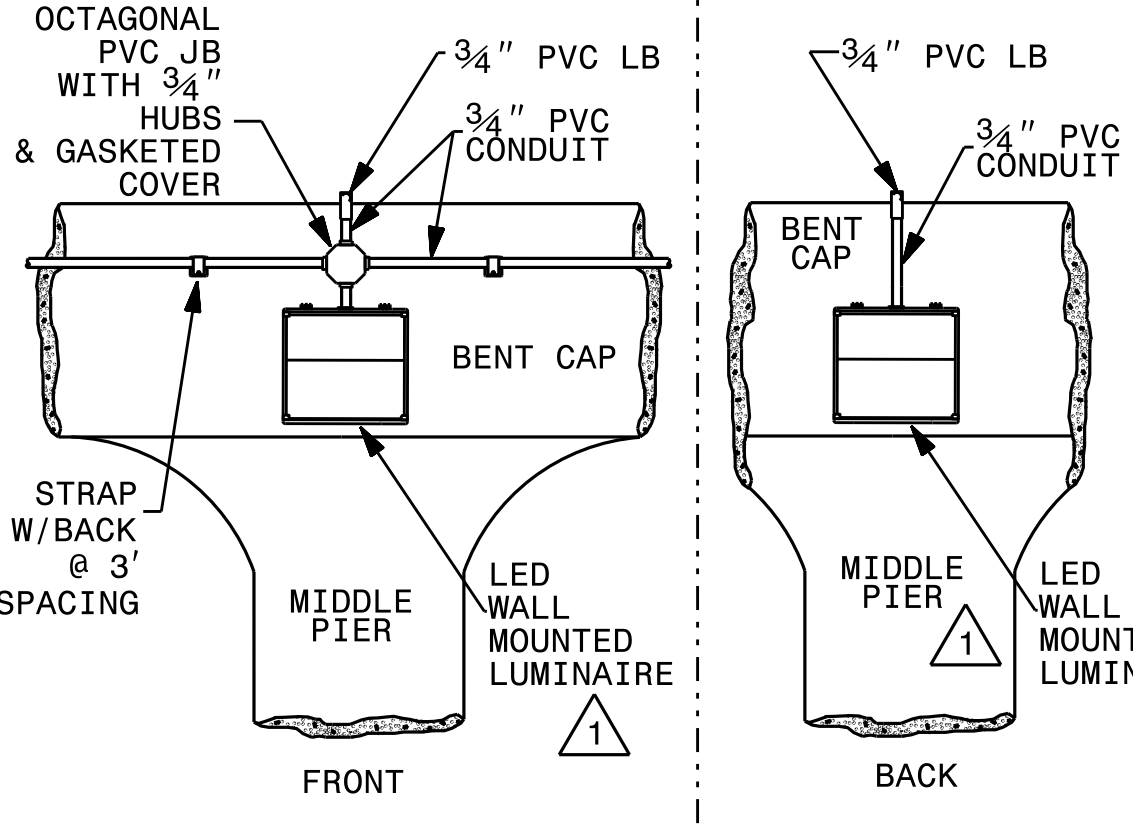
USE FOR LIGHTING CONSTRUCTION ONLY



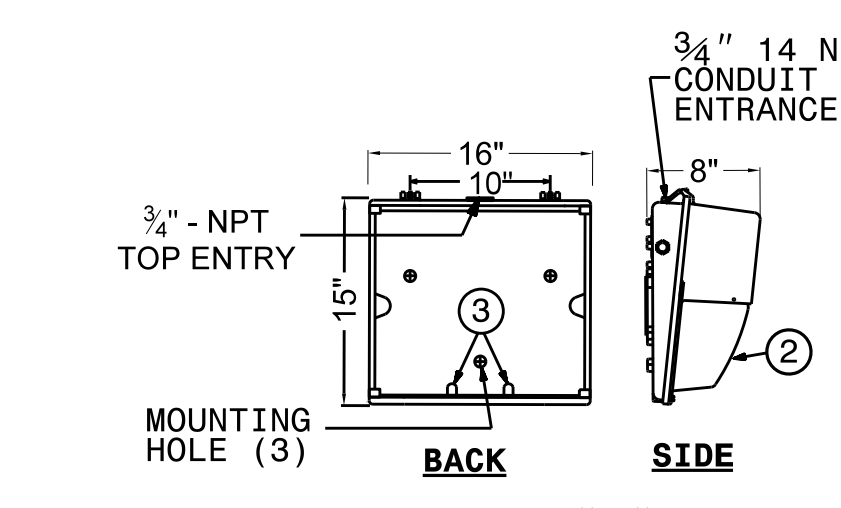
NORTH FACING VIEW FROM US 321



TYPICAL VIEW UNDER BRIDGE ON US 321 NB FACING WEST

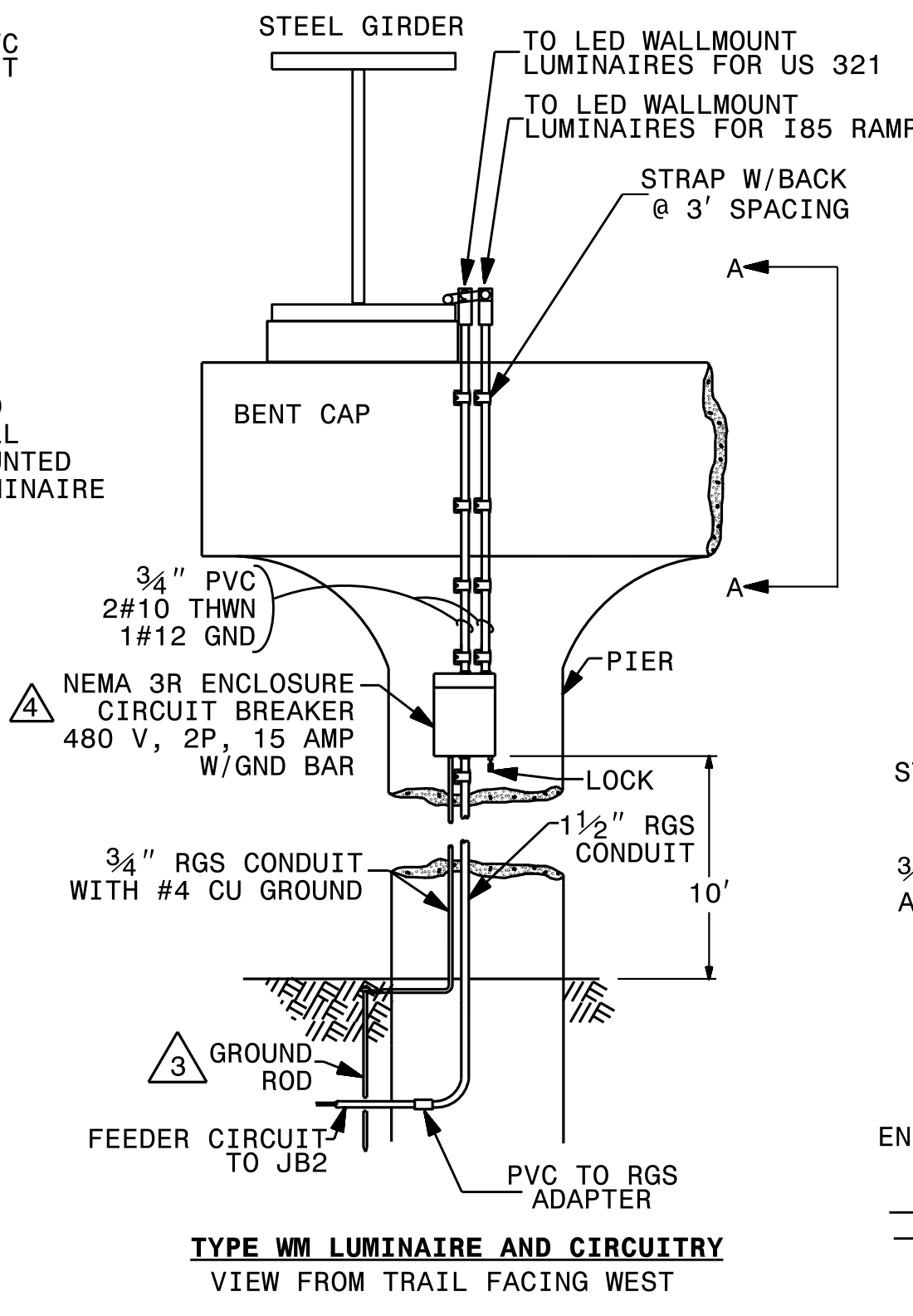


DETAIL "B"

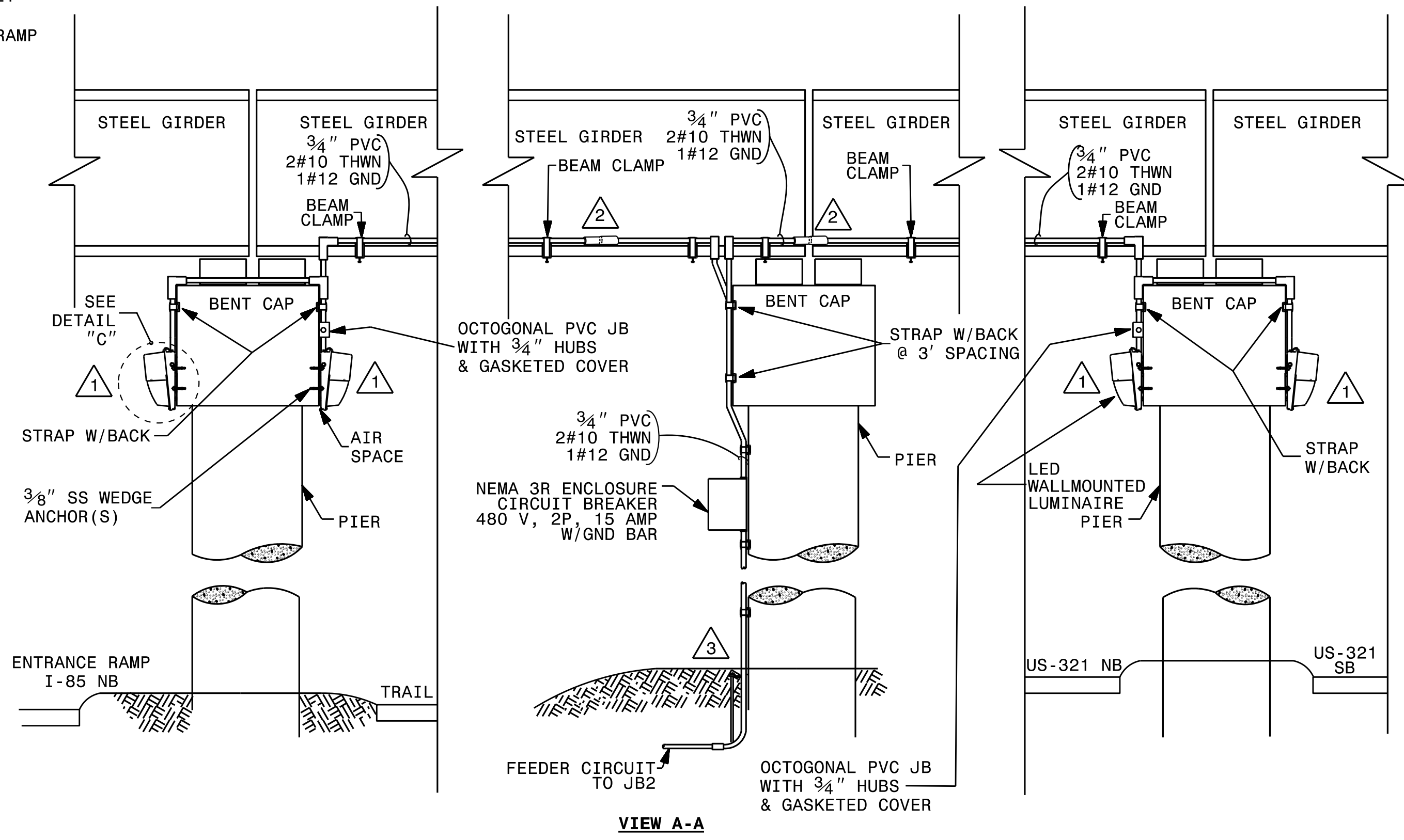


DETAIL "C"

- COMPONENTS**
- 1 DIE CAST ALUMINUM HOUSING, DOOR & HINGE
  - 2 PRISMATIC REFRACTOR
  - 3 TWO SCREW LATCH



TYPE WM LUMINAIRE AND CIRCUITRY VIEW FROM TRAIL FACING WEST



VIEW A-A

- NOTES**
- 1 MOUNT WALL MOUNTED LUMINAIRE NEAR THE TOP OF THE BENT CAP OVER THE MIDDLE PIER OF EACH BENT SECTIONS UNDER THE BRIDGE.
  - 2 PROVIDE EXPANSION FITTINGS IN EACH SECTION OF CONDUIT BETWEEN WALLMOUNT LUMINAIRES AND ON STEEL GIRDER BETWEEN JUNCTION BOXES ON BENT CAP.
  - 3 EXTEND AWAY FROM PIER SO THAT GROUND ROD WILL MISS FOOTING.
  - 4 INSTALL INSULATED GROUNDING BUSHING FOR INCOMING FEEDER CIRCUIT IN RGC.
  - 5 USE STANDARD NEC COLORS FOR PHASE AND NEUTRAL CONDUCTORS

Rev.	Date	Description	Approved
2			
1			

**NORTH CAROLINA DEPARTMENT OF TRANSPORTATION**  
ROADWAY DESIGN LIGHTING/ELECTRICAL SECTION

**UNDERPASS LIGHTING LAYOUT**

**I-85/US 321 INTERCHANGE**

GASTON COUNTY

Drawn By: AB Approved By: Dwg No.:

01-NOV-2016 15:30 R:\Projects\Lighting Design\I-5000\1&e-psh-upl.e3.dgn