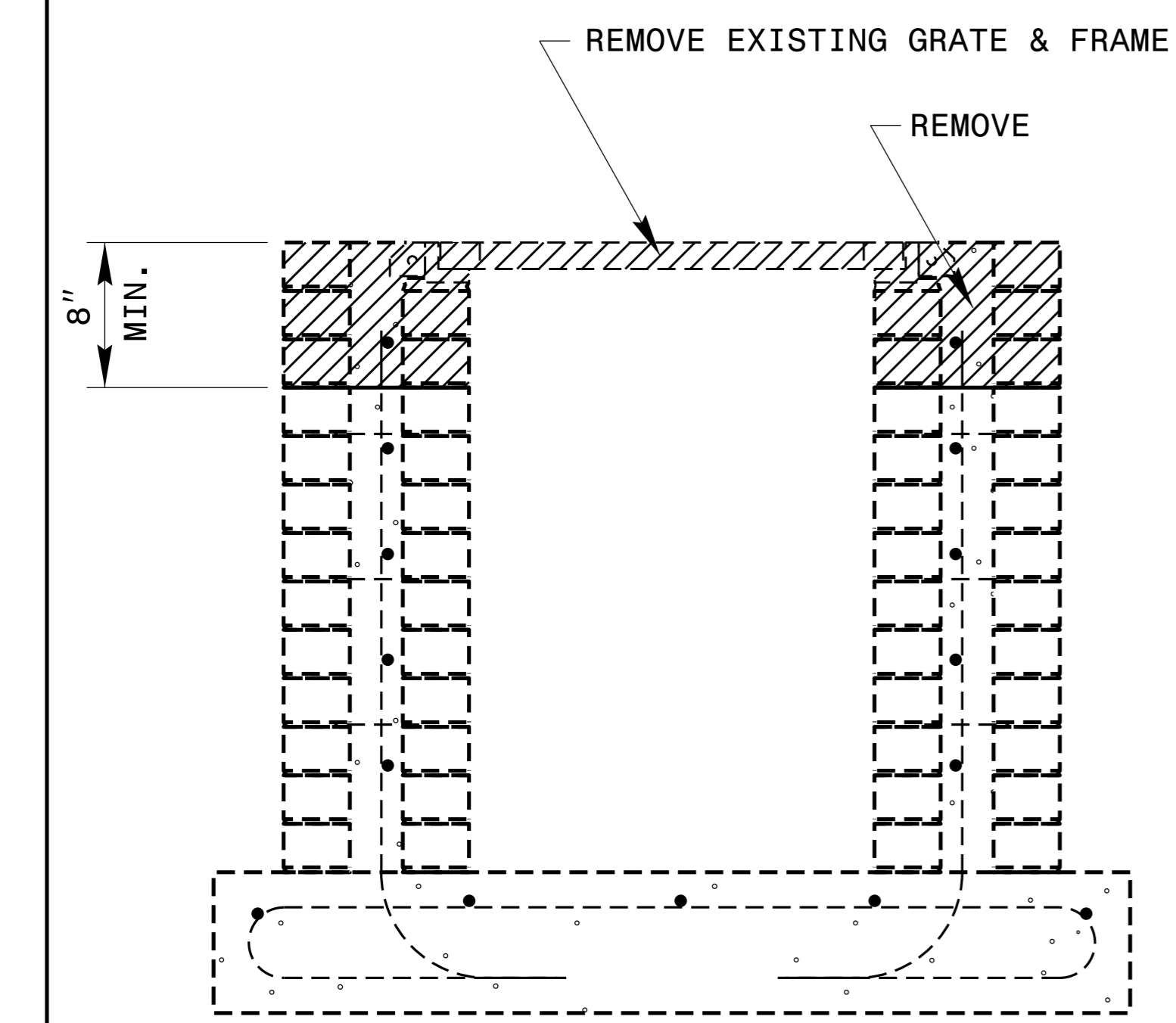
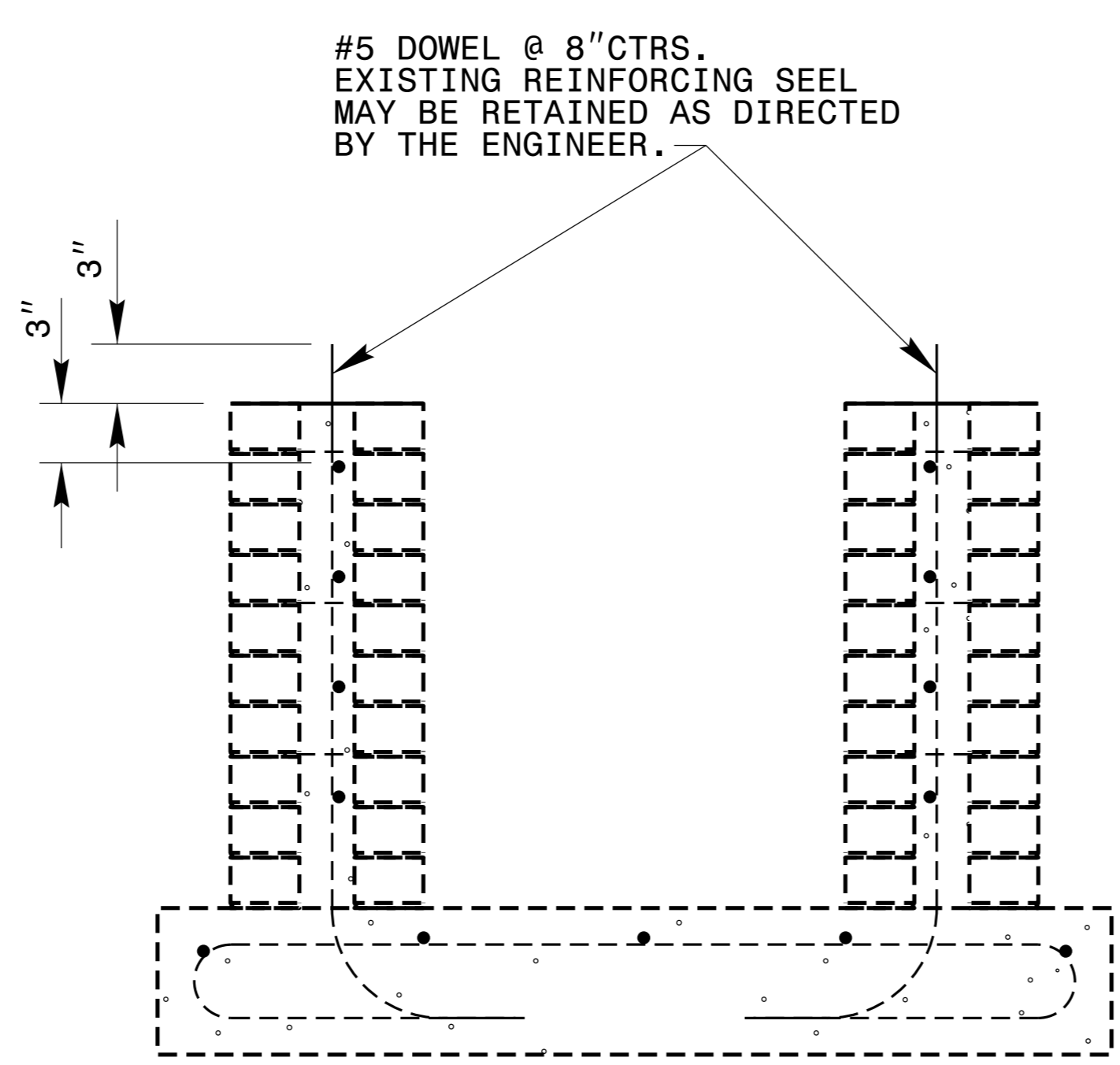


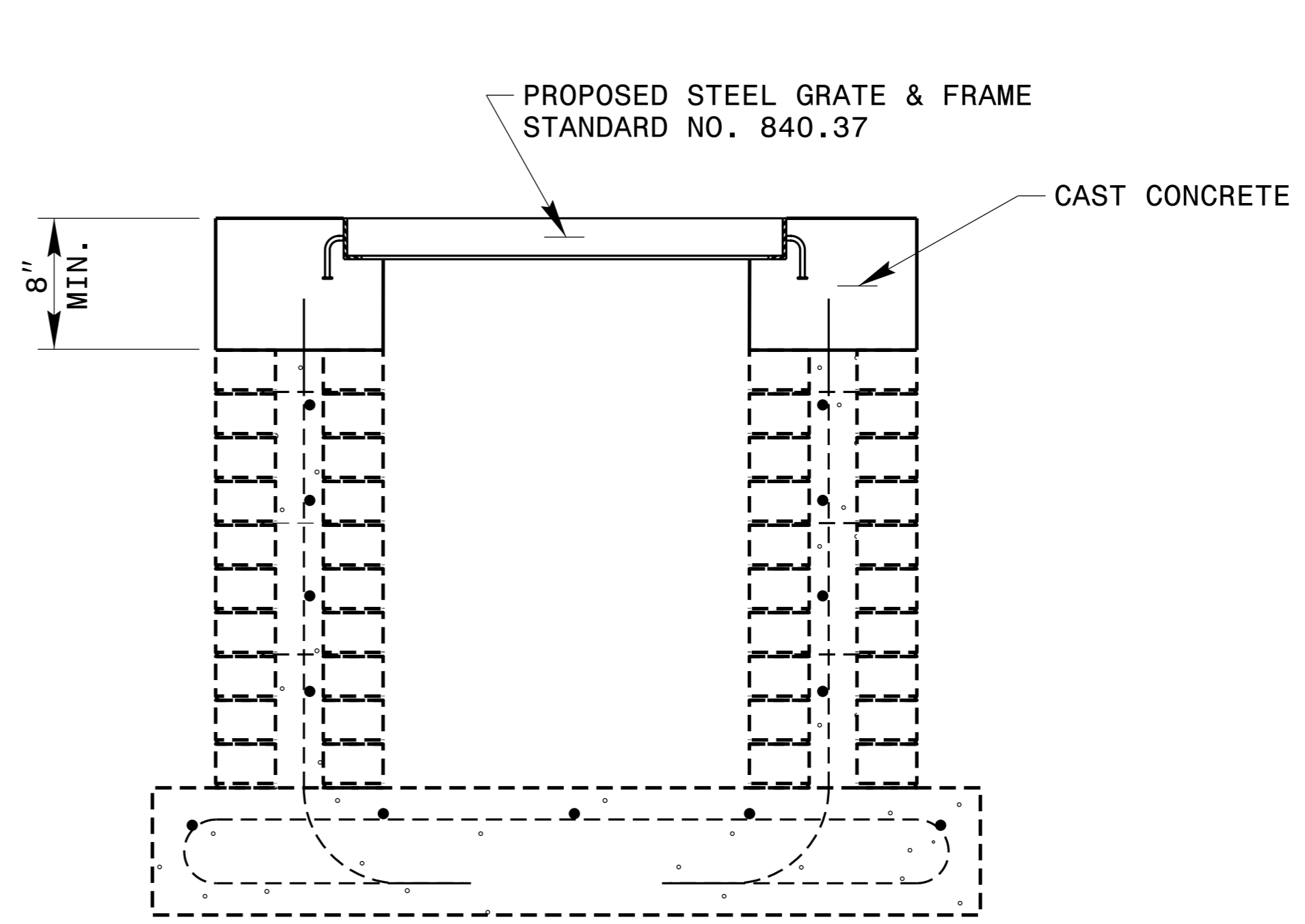
5/14/99



STEP ONE



STEP TWO

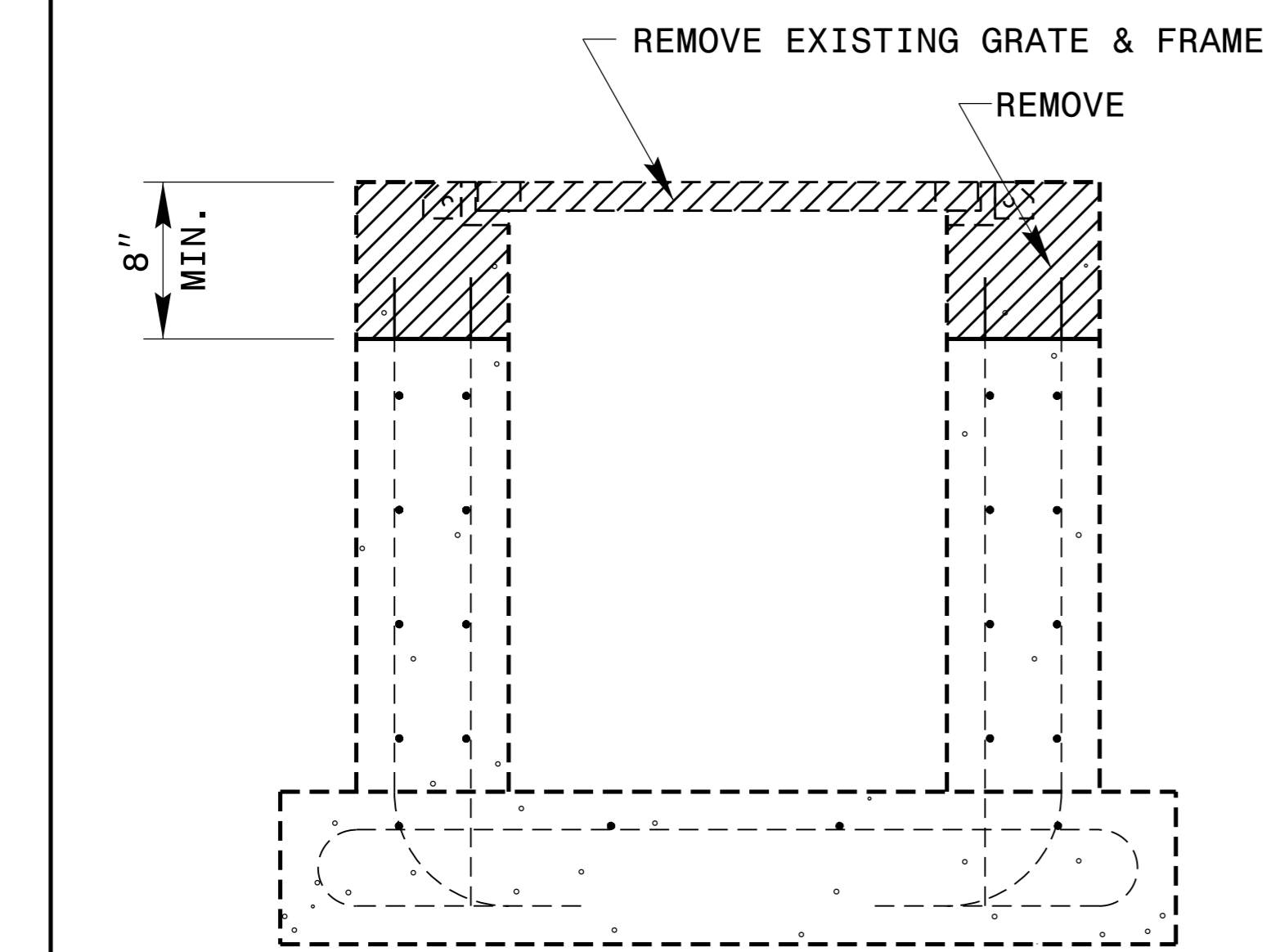


STEP THREE

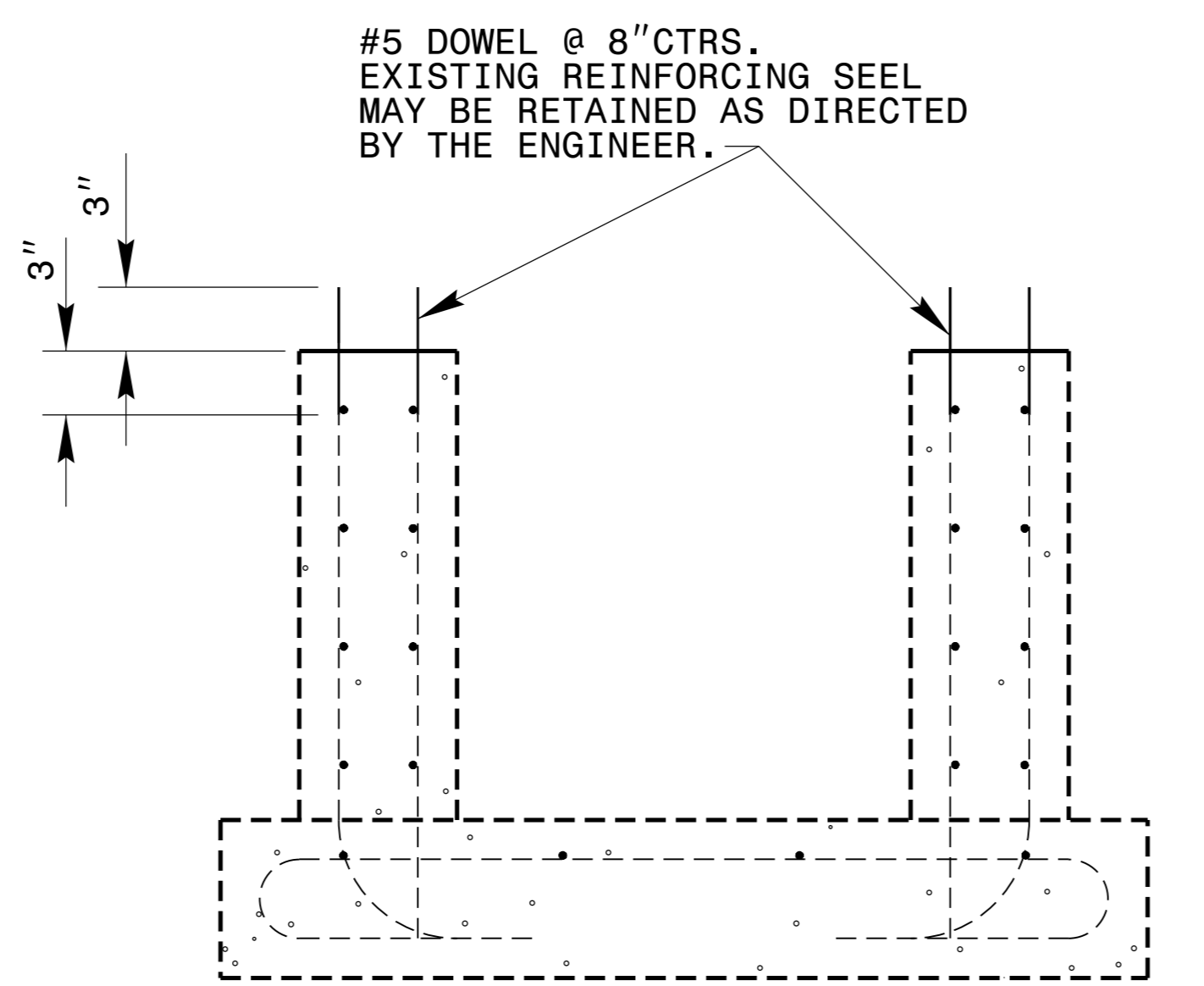
BRICK DROP INLET

GENERAL NOTES:

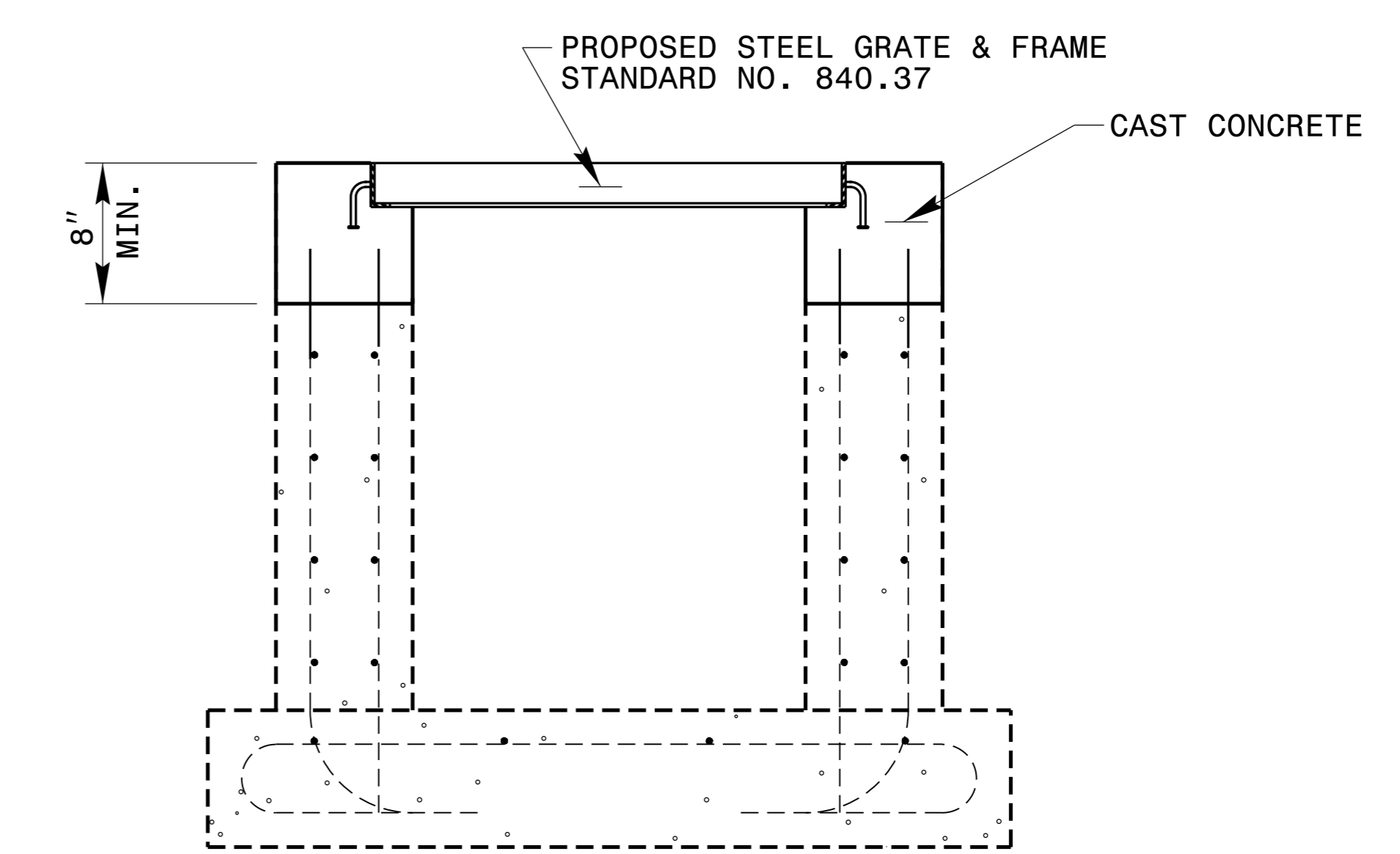
- USE CLASS "AA" CONCRETE.
- FORM CONCRETE AROUND TOP OF DRAINAGE STRUCTURES.
- STEEL FRAME MAY BE CAST WITH CONCRETE.
- USE STEEL TAP SCREWS TO ATTACH STEEL GRATE TO THE FRAME AFTER INSTALLATION.



STEP ONE

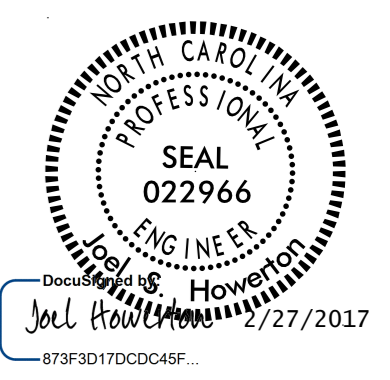


STEP TWO



STEP THREE

CONCRETE DROP INLET



DOCUMENT NOT CONSIDERED FINAL
UNLESS ALL SIGNATURES COMPLETED

CONTRACT STANDARDS & DEVELOPMENT UNIT
STANDARDS AND SPECIAL DESIGN
Office 919-250-4128 FAX 919-250-4119

**TRAFFIC BEARING DROP
INLET CONVERSION**

ORIGINAL BY: jhowerton DATE: 10/07/2016
 MODIFIED BY: rnbritt DATE: 10/07/2016
 CHECKED BY: DATE:
 FILE SPEC: Metals/rnbritt/english/interstate/15000 traffic bearing di conversion.dgn

\$\$\$\$\$
 C:\TIME\$\$\$\$\$
 USER: JHOWERTON
 FILENAME: I-5000-2C-1.dgn
 DATE: 10/07/2016 10:07:00
 \$\$\$