

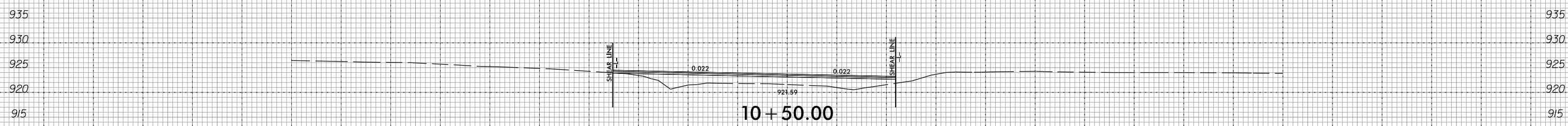
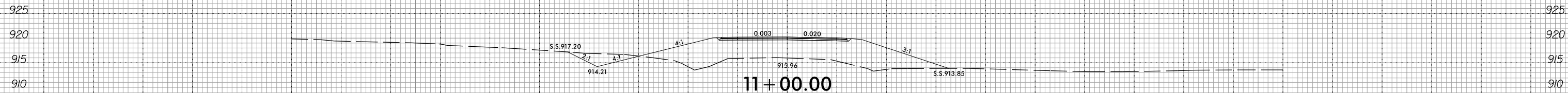
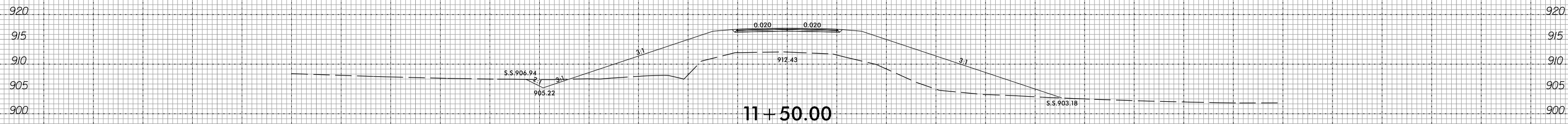
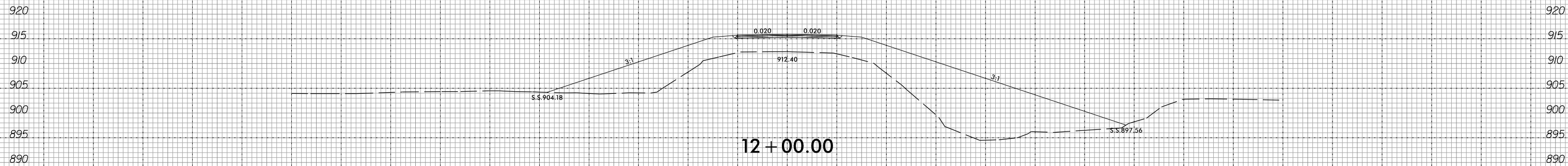
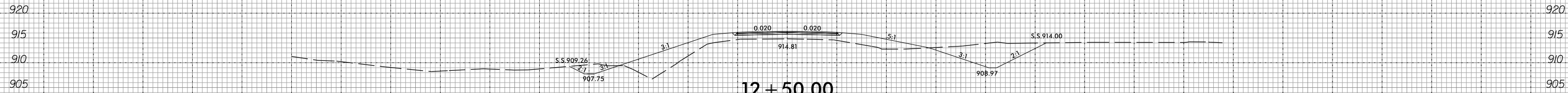
8/23/99



PROJ. REFERENCE NO.
R-3100B

SHEET NO.
X-77

150 140 130 120 110 100 90 80 70 60 50 40 30 20 10 0 10 20 30 40 50 60 70 80 90 100 110 120 130 140 150



-Y4-

150 140 130 120 110 100 90 80 70 60 50 40 30 20 10 0 10 20 30 40 50 60 70 80 90 100 110 120 130 140 150

2/2/2017
R:\Roadway\Xsc\XPL\F3100B-FDY_XPL_Y4.DGN
S:\FIELD