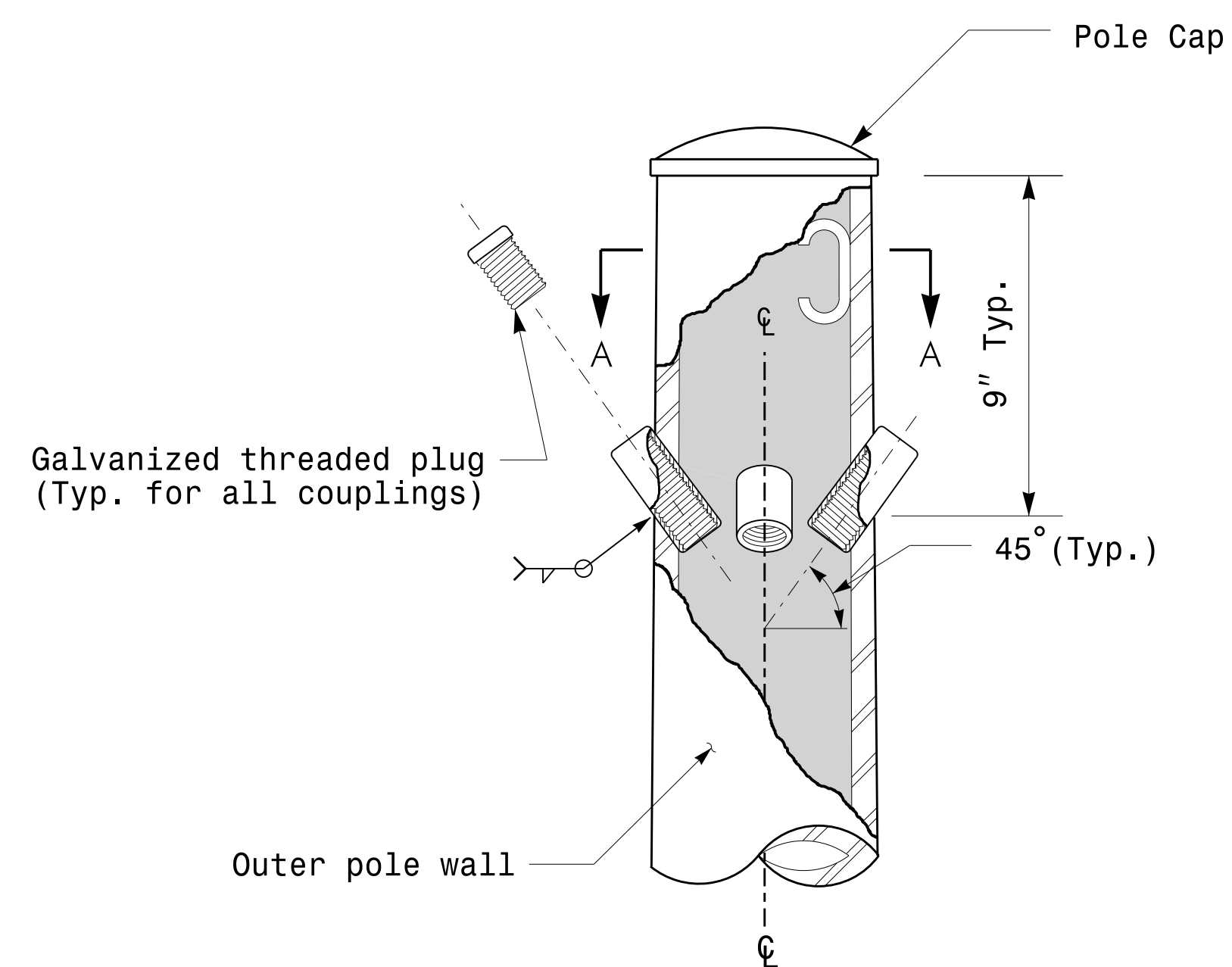
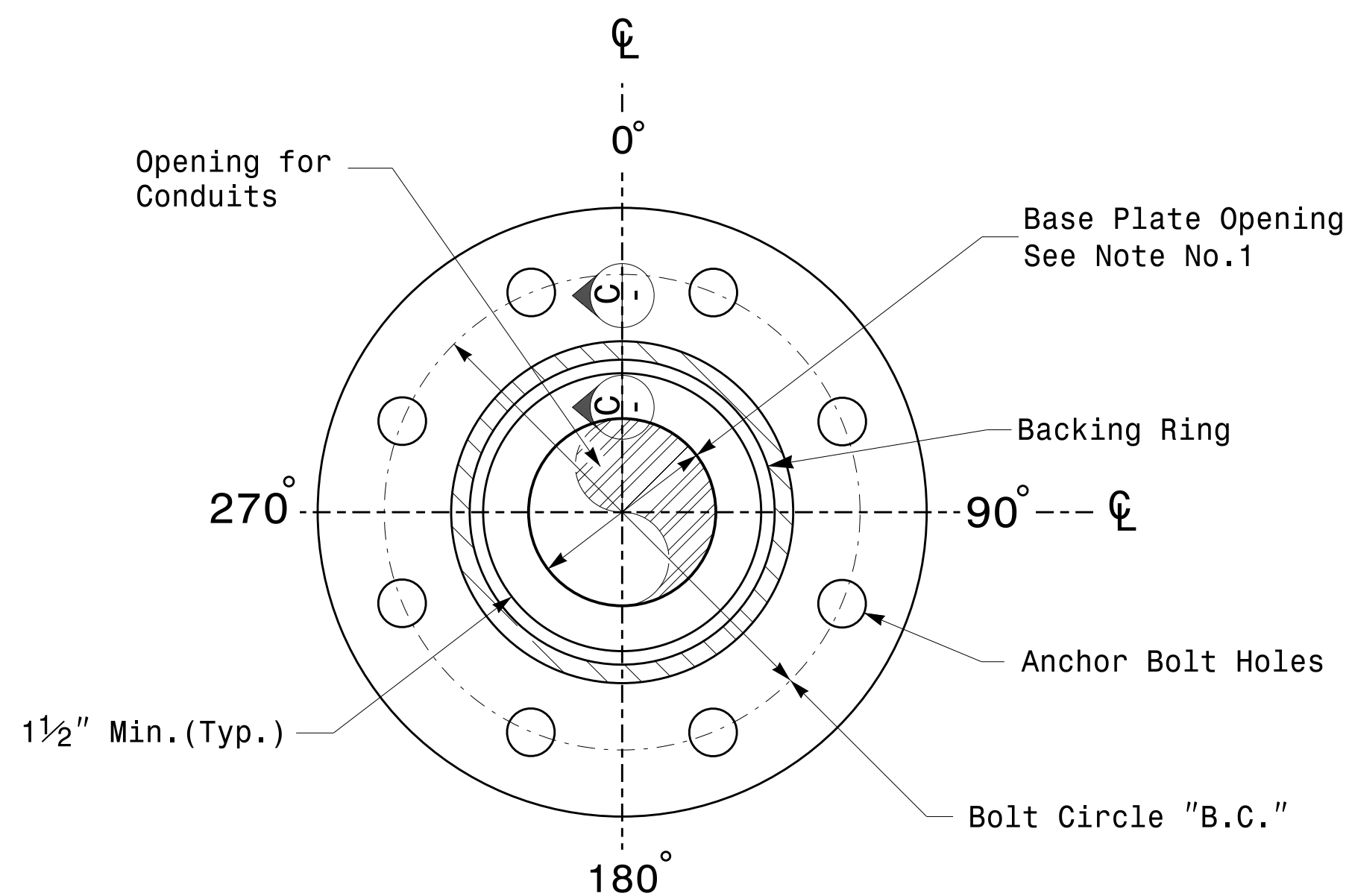


Note:
 1. Opening in pole base plate shall be equal to pole base inside diameter minus 3 1/2" but shall not be less than 8 1/2".

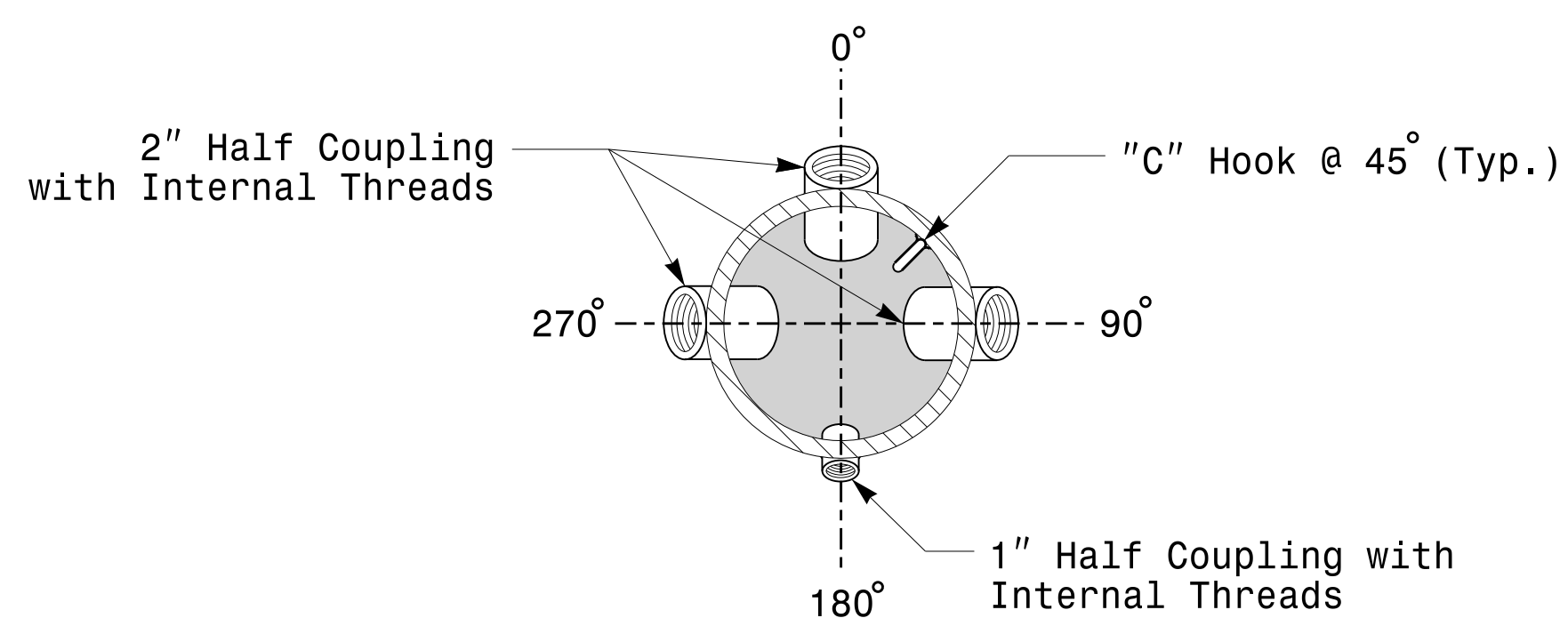


Cable Entrances at Top of Pole

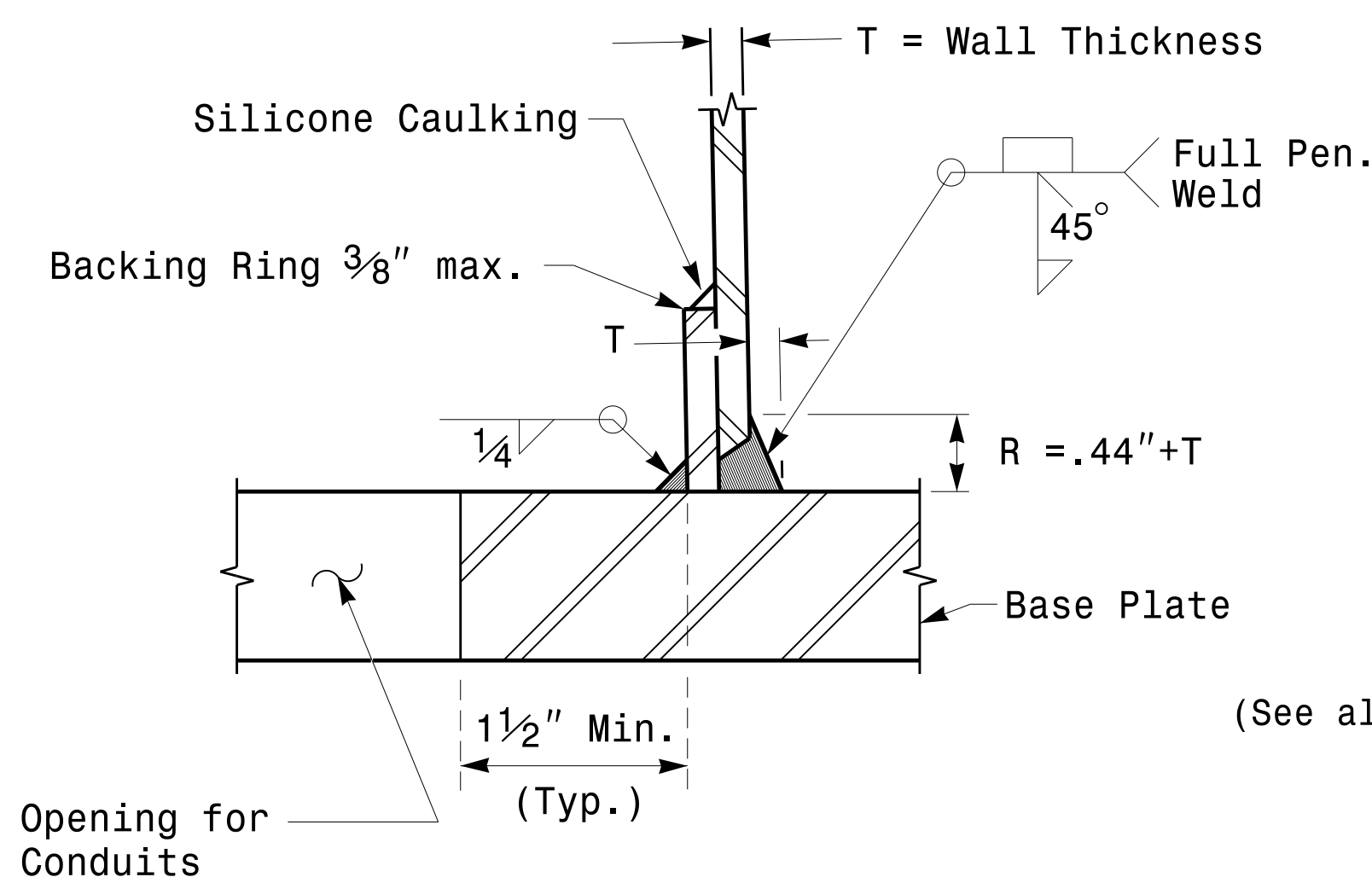


Section B-B Pole Base Plate Details (8 and 12 Bolt Pattern)

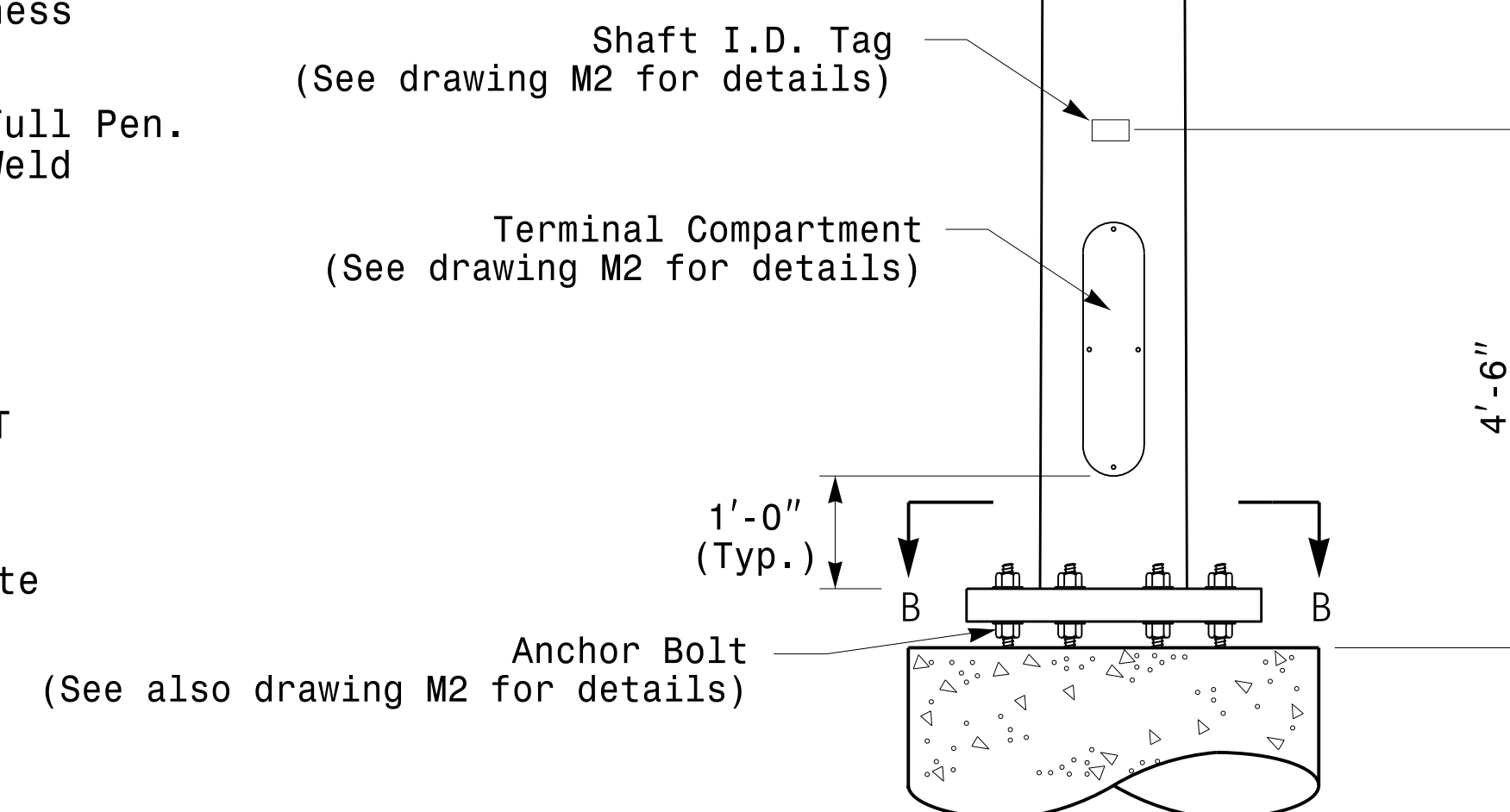
2 Cable Clamps designed for variable attachment heights from 1'-6" to 5'-0" below the top of the pole.



Section A-A Radial Orientation for Factory Installed Accessories at Top of Pole



Section C-C Full-Penetration Groove Weld Detail (Pole Attachment to Base Plate)



Monotube Strain Pole

<p>750 N. Greenfield Pkwy, Garner, NC 27529</p>	<p>Typical Fabrication Details For Strain Poles</p>		<p>SEAL</p> <p>DocuSigned by Debesh C. Sarkar SIGNATURE 44E8E32E147E4C4...</p>
	<p>PLAN DATE: FEBRUARY 2016</p>	<p>DESIGNED BY: K.C. DURIGON</p>	
<p>SCALE: NONE</p>	<p>PREPARED BY: N. BITTING</p>	<p>REVIEWED BY: D.C. SARKAR</p>	<p>DATE: 2/17/2016</p>

Fabrication Details – Strain Poles