

PROJECT REFERENCE NO.	SHEET NO.
R-3100B	EC-12/CONST.12
RW SHEET NO.	
ROADWAY DESIGN ENGINEER	HYDRAULICS ENGINEER

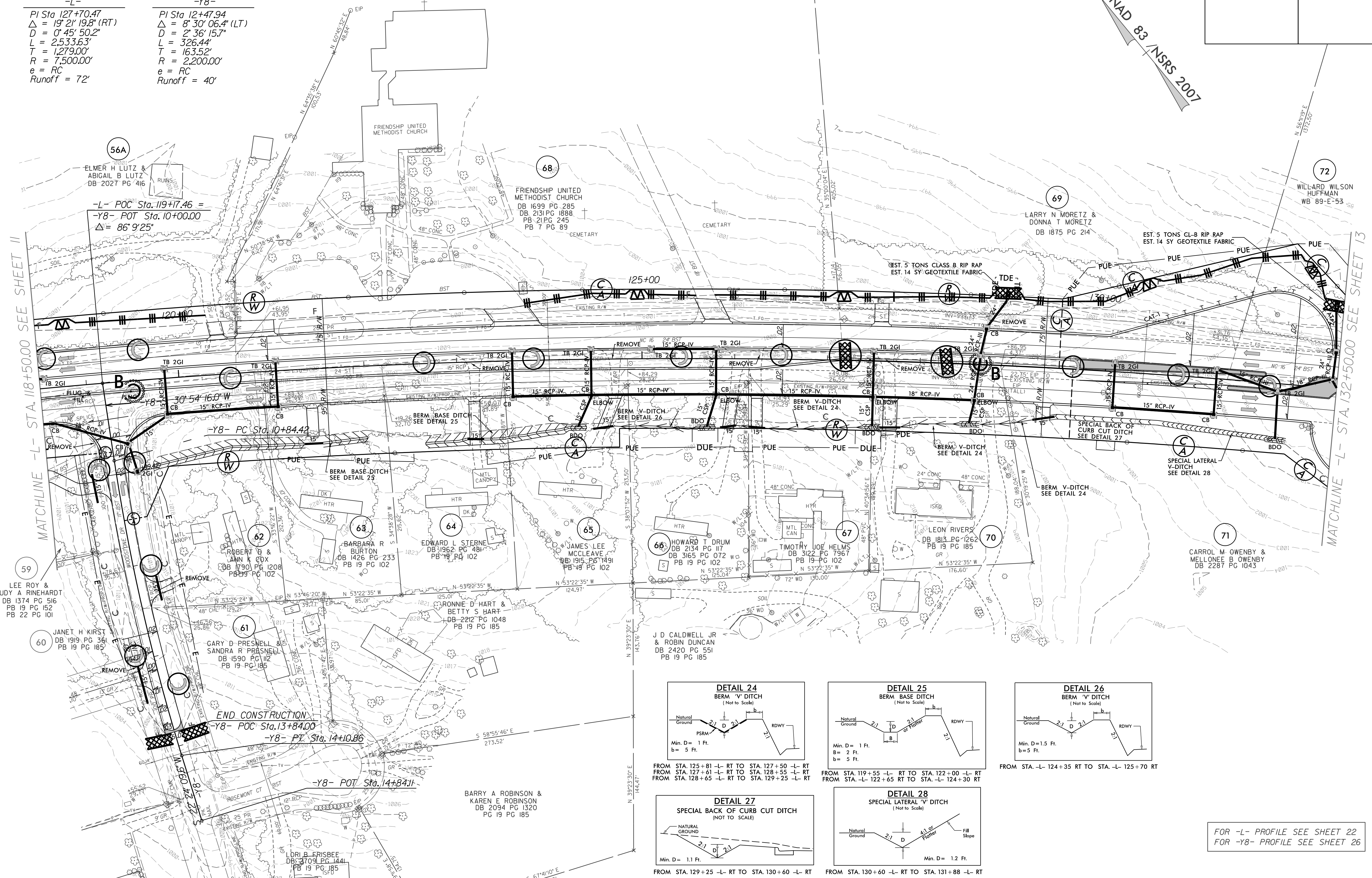
NOTE: PERIMETER EROSION CONTROL MEASURES SHALL BE INSTALLED DURING CLEARING AND GRUBBING PHASE.

NOTE: PLACE TEMPORARY ROCK SEDIMENT DAMS TYPE - B AND TEMPORARY ROCK SILT CHECKS TYPE - A AT DRAINAGE OUTLETS.

CLEARING AND GRUBBING EROSION CONTROL FOR CONSTRUCTION SHEET 12

-L-
 PI Sta 127+70.47
 $\Delta = 19^{\circ} 21' 19.8" (RT)$
 $D = 0' 45' 50.2"$
 $L = 2,533.63'$
 $T = 1,279.00'$
 $R = 7,500.00'$
 $e = RC$
 $Runoff = 72'$

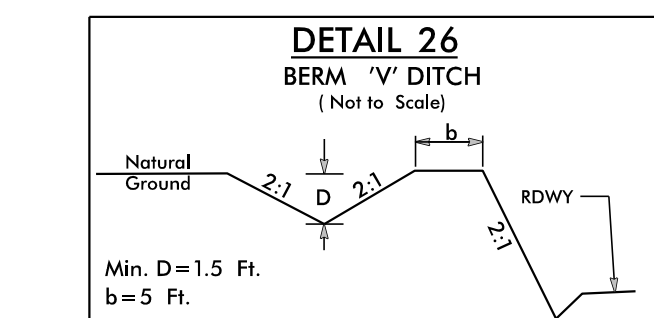
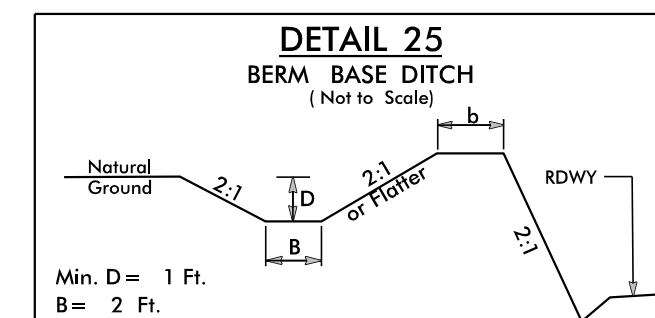
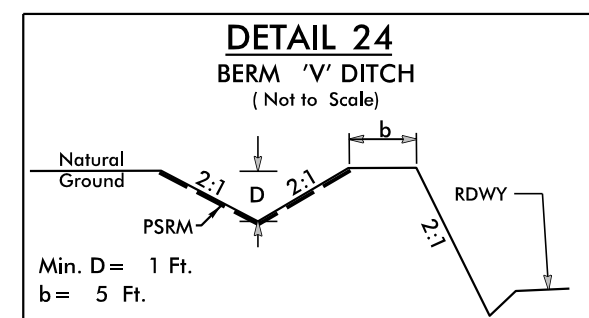
-Y8-
 PI Sta 12+47.94
 $\Delta = 8^{\circ} 30' 06.4" (LT)$
 $D = 2' 36' 15.7"$
 $L = 326.44'$
 $T = 163.52'$
 $R = 2,200.00'$
 $e = RC$
 $Runoff = 40'$



MATCHLINE -L- STA. 118+50.00 SEE SHEET 11

MATCHLINE -L- STA. 132+50.00 SEE SHEET 13

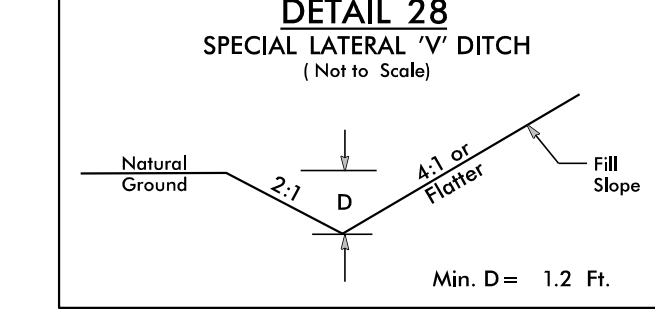
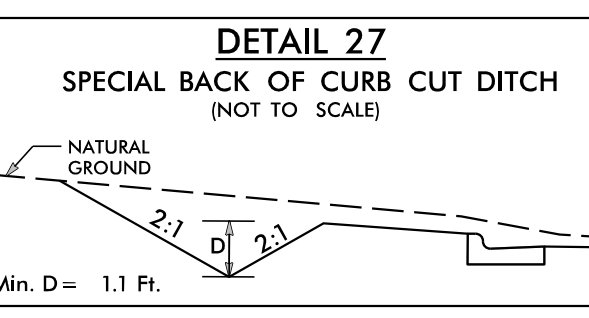
NAD 83 / NSRS 2007



FROM STA. 125+81 -L- RT TO STA. 127+50 -L- RT
 FROM STA. 127+61 -L- RT TO STA. 128+55 -L- RT
 FROM STA. 128+65 -L- RT TO STA. 129+25 -L- RT

FROM STA. 119+55 -L- RT TO STA. 122+00 -L- RT
 FROM STA. -L- 122+65 RT TO STA. -L- 124+30 RT

FROM STA. -L- 124+35 RT TO STA. -L- 125+70 RT



FROM STA. 129+25 -L- RT TO STA. 130+60 -L- RT

FROM STA. 130+60 -L- RT TO STA. 131+88 -L- RT

FOR -L- PROFILE SEE SHEET 22
 FOR -Y8- PROFILE SEE SHEET 26