

8/17/99

Prepared by
URS
URS Corporation - North Carolina
1600 Perimeter Park Drive
Morrisville, North Carolina 27560
TELEPHONE (919) 461-1100 FAX (919) 461-1415
NC LICENSE # C-22943

PROJECT REFERENCE NO. R-3100B	SHEET NO. 12
R/W SHEET NO. ROADWAY DESIGN ENGINEER	HYDRAULICS ENGINEER
DOCUMENT NOT CONSIDERED FINAL UNLESS ALL SIGNATURES COMPLETED	

NAD 83 / NSRS 2007

-L-
PI Sta 127+70.47
 $\Delta = 19' 21'' 19.8''$ (RT)
 $D = 0' 45'' 50.2''$
 $L = 2,533.63'$
 $T = 1,279.00'$
 $R = 7,500.00'$
 $e = RC$
Runoff = 72'

-Y8-
PI Sta 12+47.94
 $\Delta = 8' 30'' 06.4''$ (LT)
 $D = 2' 36'' 15.7''$
 $L = 326.44'$
 $T = 163.52'$
 $R = 2,200.00'$
 $e = RC$
Runoff = 40'

56A
ELMER H LUTZ &
ABIGAIL B LUTZ
DB 2027 PG 416

59
LEE ROY &
JUDY A RINEHARDT
DB 1374 PG 516
PB 19 PG 152
PB 22 PG 101

60
JANET H KIRST
DB 1919 PG 361
PB 19 PG 185

61
CARY D PRESNELL &
SANDRA R PRESNELL
DB 1590 PG 112
PB 19 PG 185

62
ROBERT D &
ANN K COX
DB 1790 PG 1208
PB 19 PG 102

63
BARBARA R
BURTON
DB 1426 PG 233
PB 19 PG 102

64
EDWARD L STERNE
DB 1962 PG 481
PB 19 PG 102

65
JAMES LEE
MCCLEAVE
DB 1915 PG 1491
PB 19 PG 102

66
HOWARD T DRUM
DB 2134 PG 117
DB 3165 PG 072
PB 19 PG 102

67
TIMOTHY JOE HELMS
DB 3122 PG 7967
PB 19 PG 102

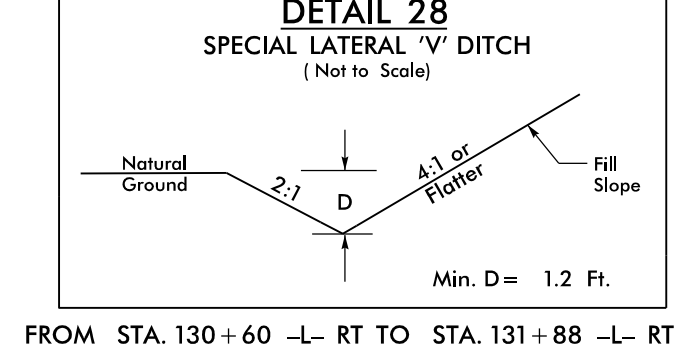
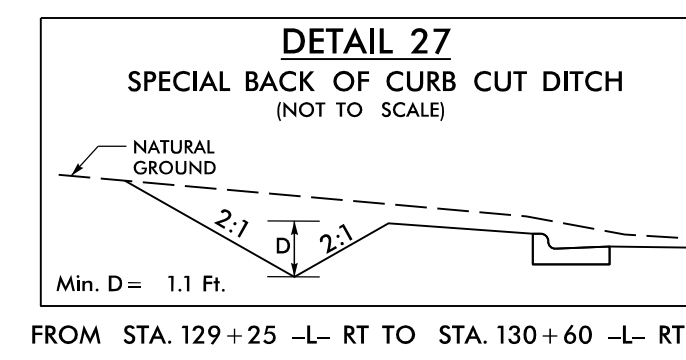
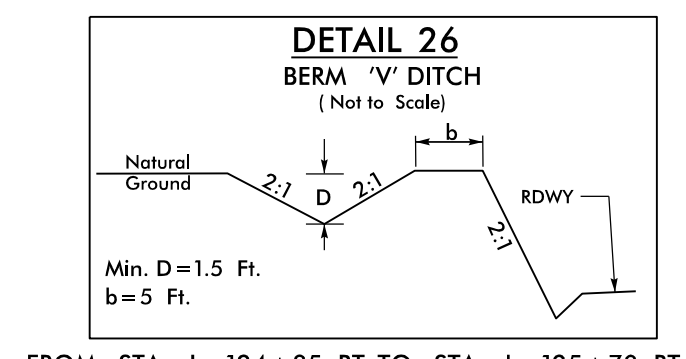
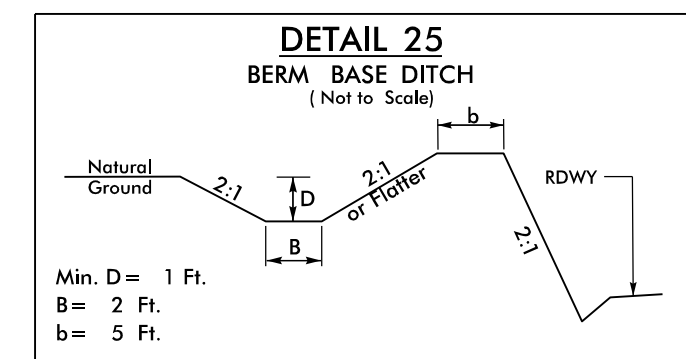
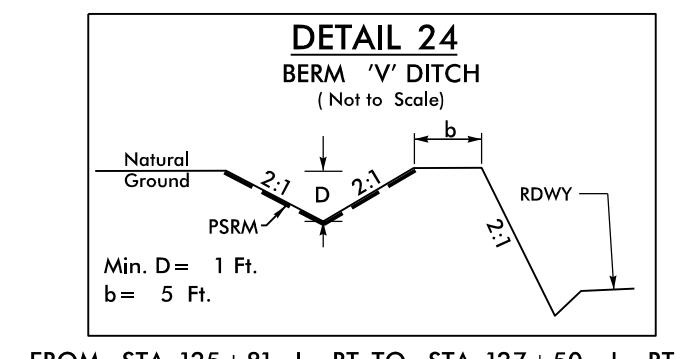
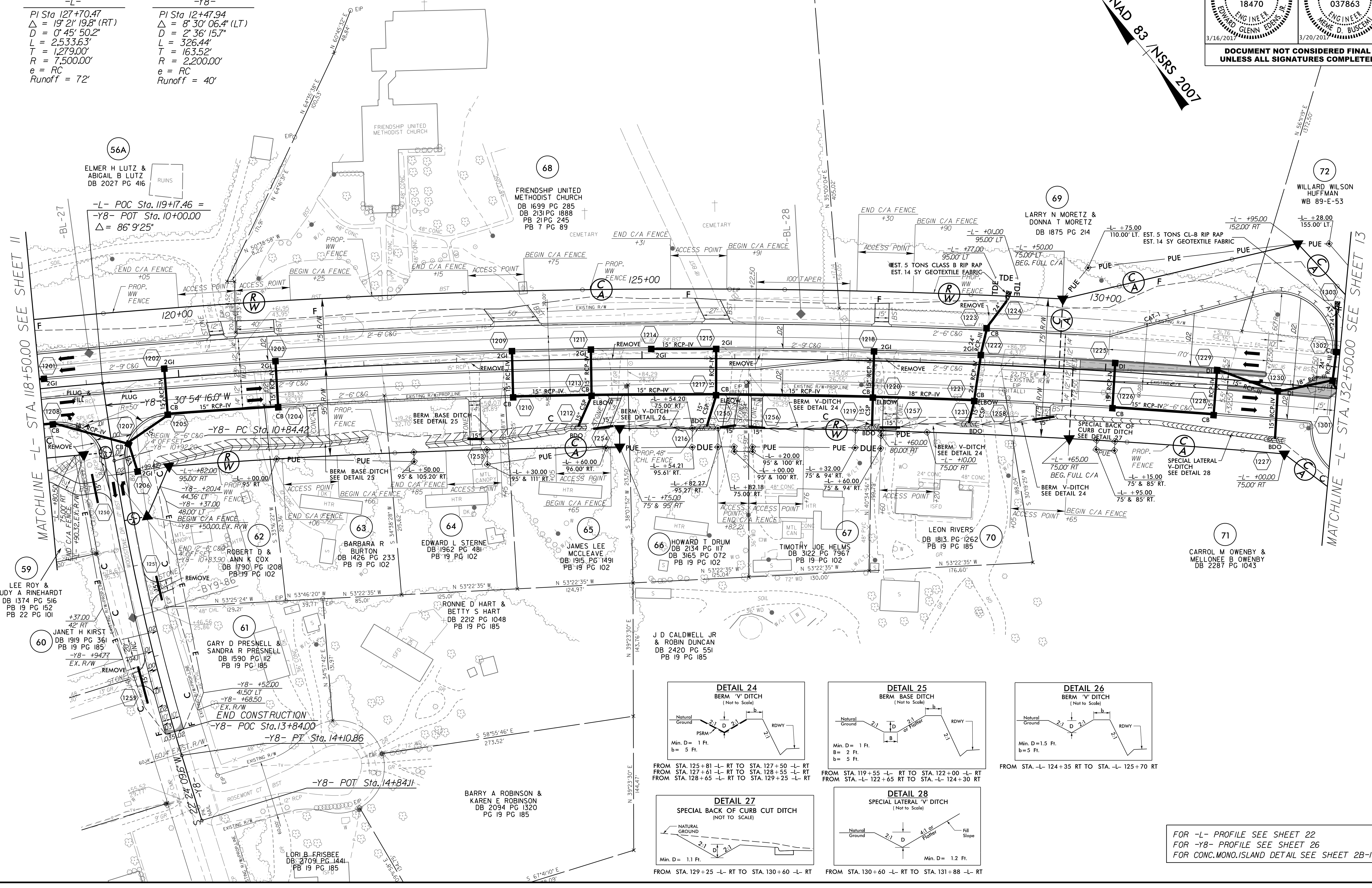
68
FRIENDSHIP UNITED
METHODIST CHURCH
DB 1699 PG 285
DB 2131 PG 1888
PB 21 PG 245
PB 7 PG 89

69
LARRY N MORETZ &
DONNA T MORETZ
DB 1875 PG 214

70
LEON RIVERS
DB 1813 PG 1262
DB 19 PG 185

71
CARROL M OWENBY &
MELLONEE B OWENBY
DB 2287 PG 1043

72
WILLARD WILSON
HUFFMAN
WB 89-E-53



FOR -L- PROFILE SEE SHEET 22
FOR -Y8- PROFILE SEE SHEET 26
FOR CONC. MONO. ISLAND DETAIL SEE SHEET 2B-1

REVISIONS

3/16/2017
R:\Roadway\Proj\A-3100b_rdy_PSH12.dgn
schneid