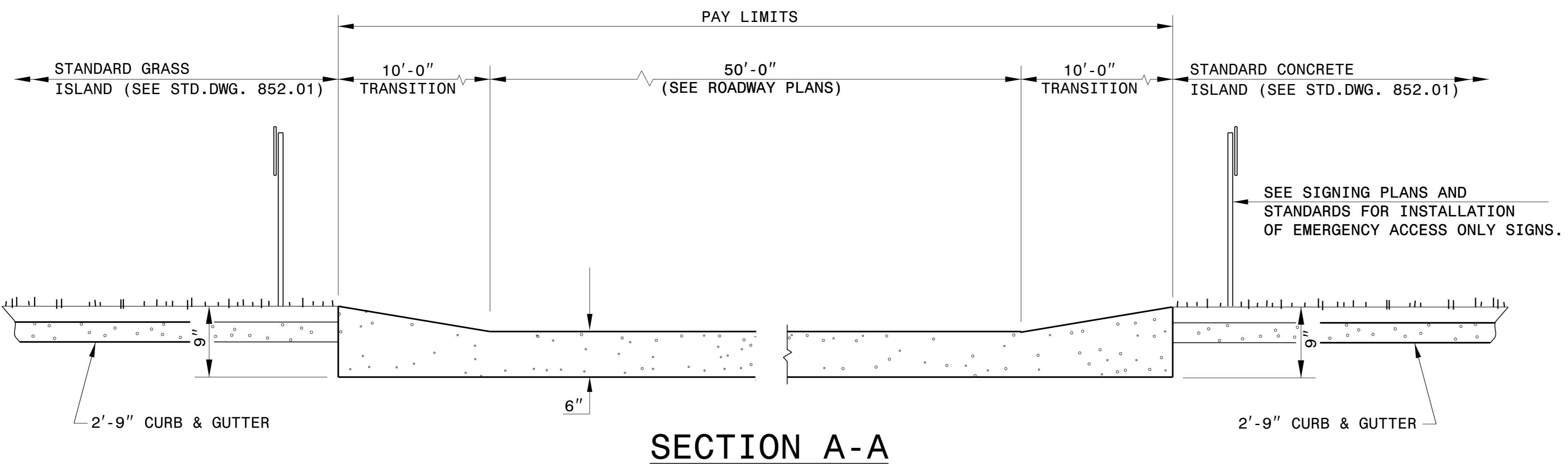
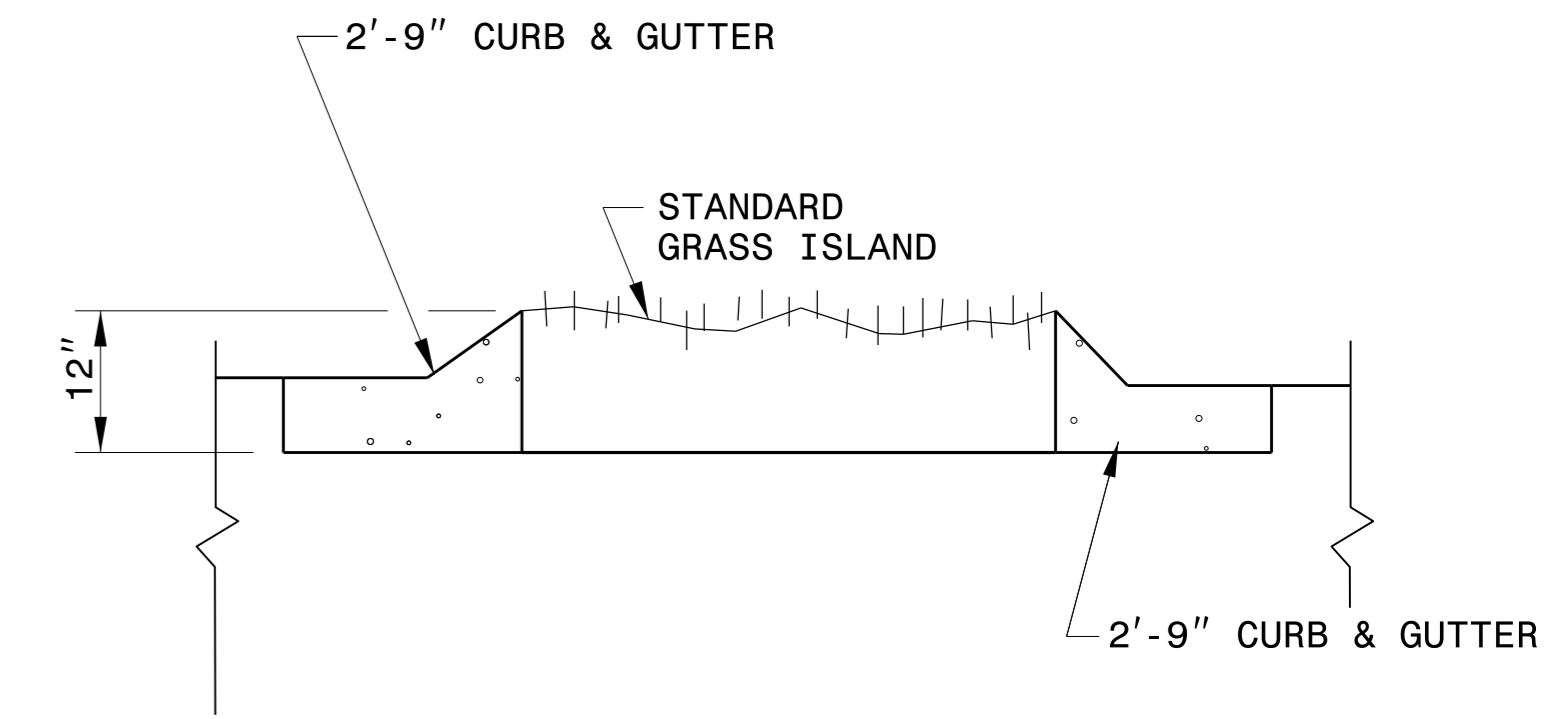


SECTION B-B



SECTION A-A

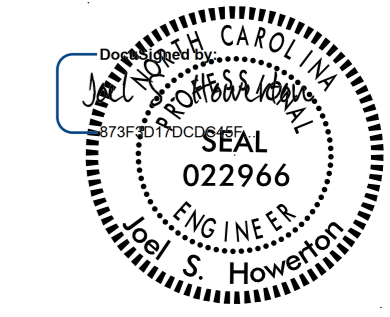


SECTION C-C

DETAIL OF EMERGENCY VEHICLE ACCESS

- NOTES:
- REFER TO SECTION 852 OF STANDARD SPECIFICATIONS FOR CONCRETE ISLANDS.
 - REFER TO STANDARD DRAWING 852.01 FOR CONTRACTION/EXPANSION JOINTS.
 - PLACE W6xW6 REINFORCING WIRE MESH IN THE BOTTOM 3RD OF THE EMERGENCY VEHICLE ACCESS PORTION OF THE CONCRETE ISLAND THAT MEETS SECTION 1070 OF THE STANDARD SPECIFICATIONS.

DATE PLOTTED: 04/12/2017 10:58:11 AM
C:\PROJECTS\2017\04\20170412\20170412.dwg
PLOTTER: HP DesignJet T1100e
PLOT SCALE: 1.0000
PLOT SPEED: 12.0000
PLOT MODE: EMBEDDED
PLOT DEVICE: HP DesignJet T1100e
PLOT DEVICE ID: HP DesignJet T1100e
PLOT DEVICE DRIVER: HP DesignJet T1100e
PLOT DEVICE MODEL: HP DesignJet T1100e
PLOT DEVICE SERIAL: HP DesignJet T1100e
PLOT DEVICE TYPE: HP DesignJet T1100e
PLOT DEVICE VENDOR: HP DesignJet T1100e
PLOT DEVICE WEIGHT: HP DesignJet T1100e
PLOT DEVICE HEIGHT: HP DesignJet T1100e
PLOT DEVICE WIDTH: HP DesignJet T1100e
PLOT DEVICE LENGTH: HP DesignJet T1100e
PLOT DEVICE AREA: HP DesignJet T1100e
PLOT DEVICE VOLUME: HP DesignJet T1100e
PLOT DEVICE PERIMETER: HP DesignJet T1100e
PLOT DEVICE DIAGONAL: HP DesignJet T1100e
PLOT DEVICE CIRCUMFERENCE: HP DesignJet T1100e
PLOT DEVICE SURFACE AREA: HP DesignJet T1100e
PLOT DEVICE WEIGHT: HP DesignJet T1100e
PLOT DEVICE HEIGHT: HP DesignJet T1100e
PLOT DEVICE WIDTH: HP DesignJet T1100e
PLOT DEVICE LENGTH: HP DesignJet T1100e
PLOT DEVICE AREA: HP DesignJet T1100e
PLOT DEVICE VOLUME: HP DesignJet T1100e
PLOT DEVICE PERIMETER: HP DesignJet T1100e
PLOT DEVICE DIAGONAL: HP DesignJet T1100e
PLOT DEVICE CIRCUMFERENCE: HP DesignJet T1100e
PLOT DEVICE SURFACE AREA: HP DesignJet T1100e



3/16/2017

DOCUMENT NOT CONSIDERED FINAL UNLESS ALL SIGNATURES COMPLETED

CONTRACT STANDARDS & DEVELOPMENT UNIT
STANDARDS AND SPECIAL DESIGN
Office 919-707-6950 FAX 919-250-4119

EMERGENCY VEHICLE ACCESS FOR CONCRETE ISLAND

ORIGINAL BY: _____ DATE: _____
 MODIFIED BY: rnbritt DATE: 04-12-2012
 CHECKED BY: _____ DATE: _____
 FILE SPEC.: rnbritt\metric\urbanu3810_emergency_access.dgn