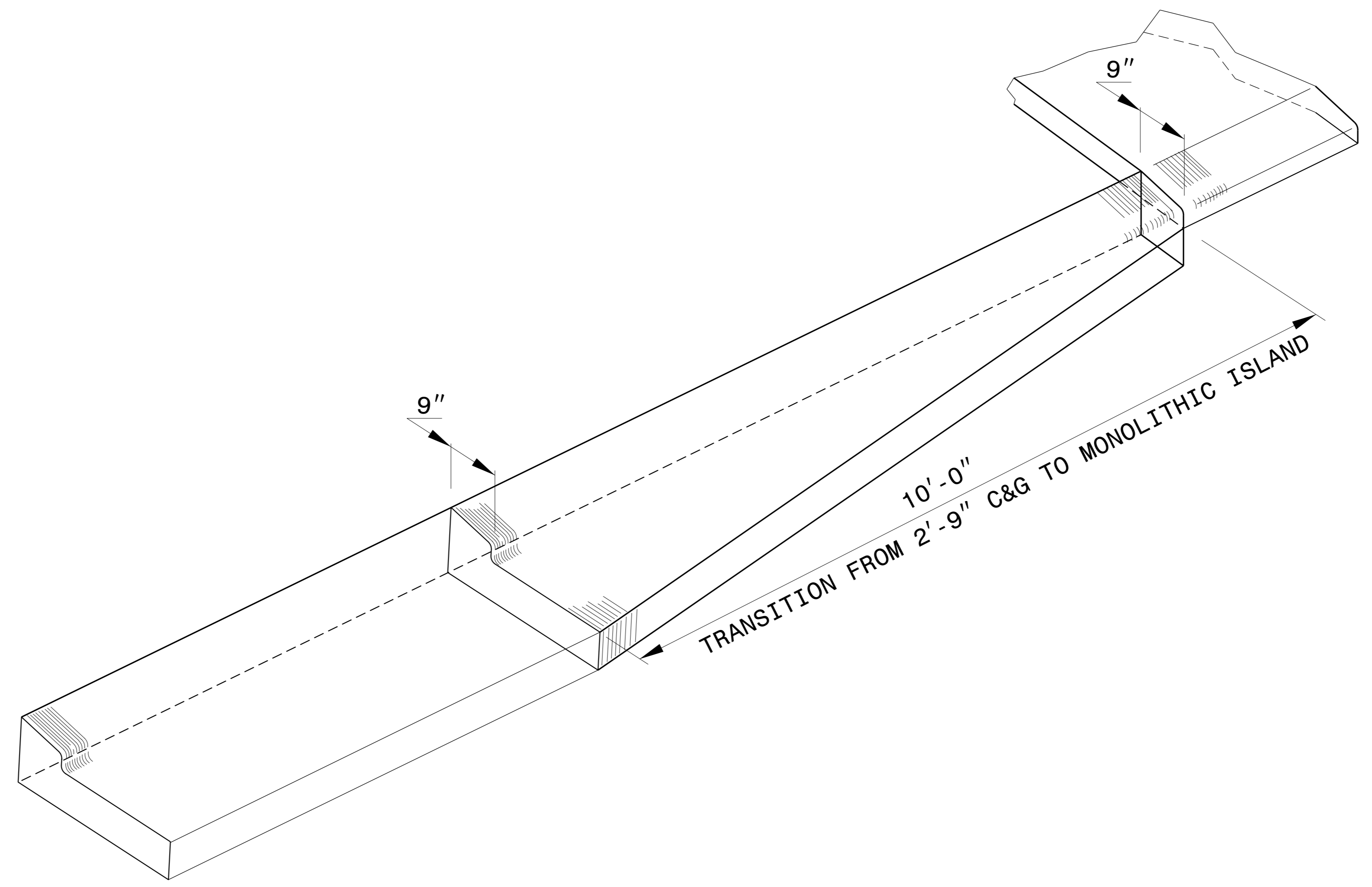


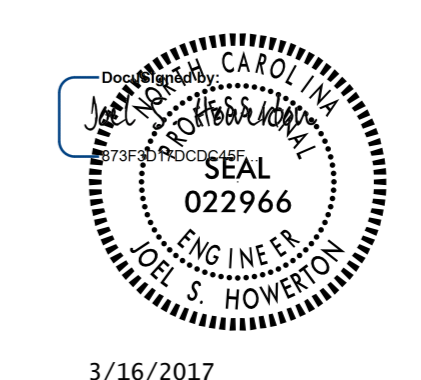
**2'-9" CURB AND GUTTER**

NOTE: SEE STD. DWG. 846.01 FOR ADDITIONAL CURB AND GUTTER INFORMATION.

SEE ROADWAY PLANS FOR LOCATION OF CURB TRANSITION.



**ISOMETRIC VIEW OF TRANSITIONING CURB & GUTTER**



3/16/2017

DOCUMENT NOT CONSIDERED FINAL UNLESS ALL SIGNATURES COMPLETED

<b>CONTRACTS STANDARDS AND DEVELOPMENT UNIT</b>	
Office 919-707-6950	FAX 919-250-4119
<b>DETAIL OF 2'-9" CURB &amp; GUTTER TRANSITION SECTION</b>	
ORIGINAL BY: _____	DATE: _____
MODIFIED BY: KKEMPF	DATE: 09-24-14
CHECKED BY: _____	DATE: _____
FILE SPEC.: kkempf/english/curb gutter tansion.dgn	