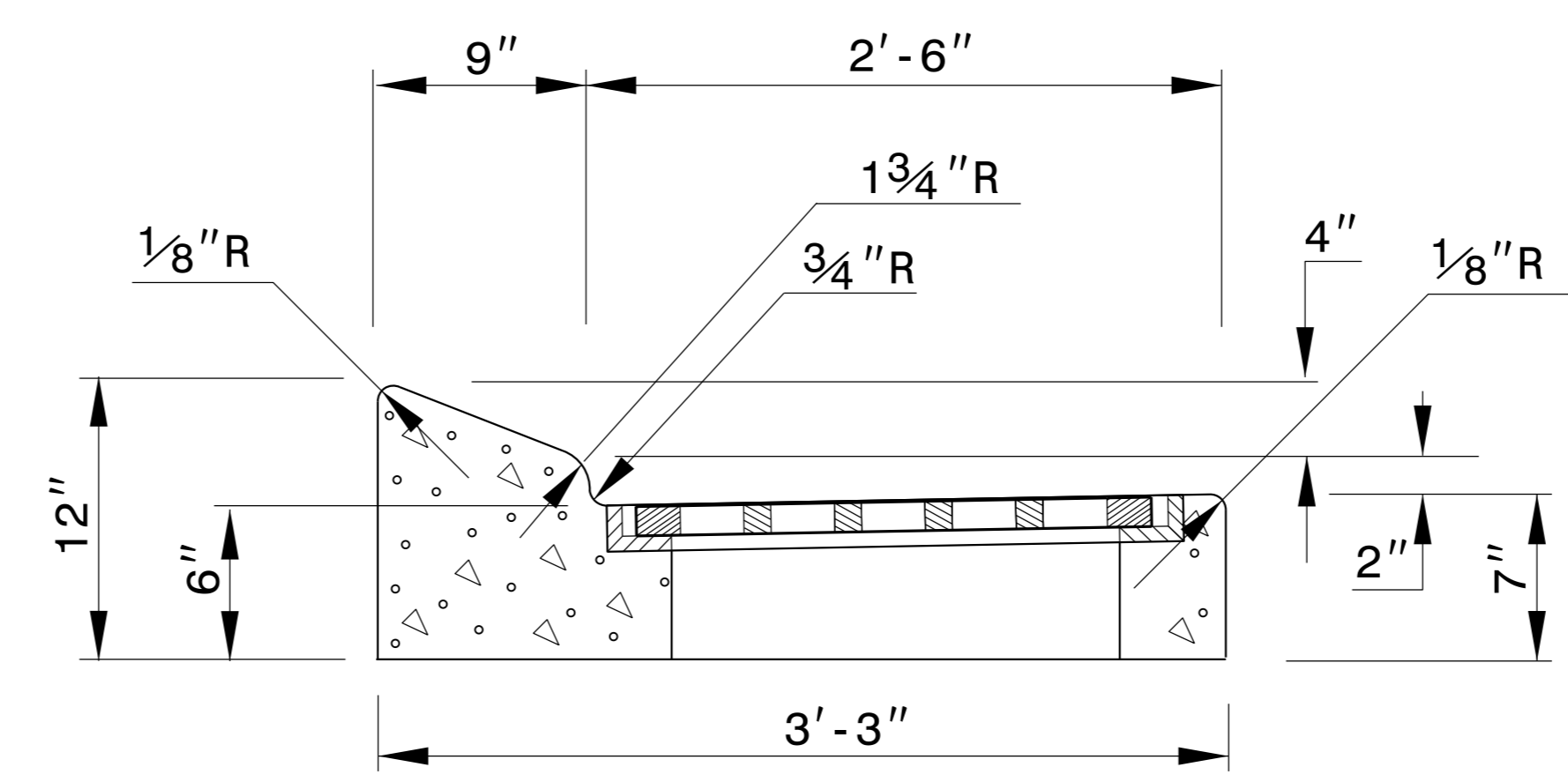
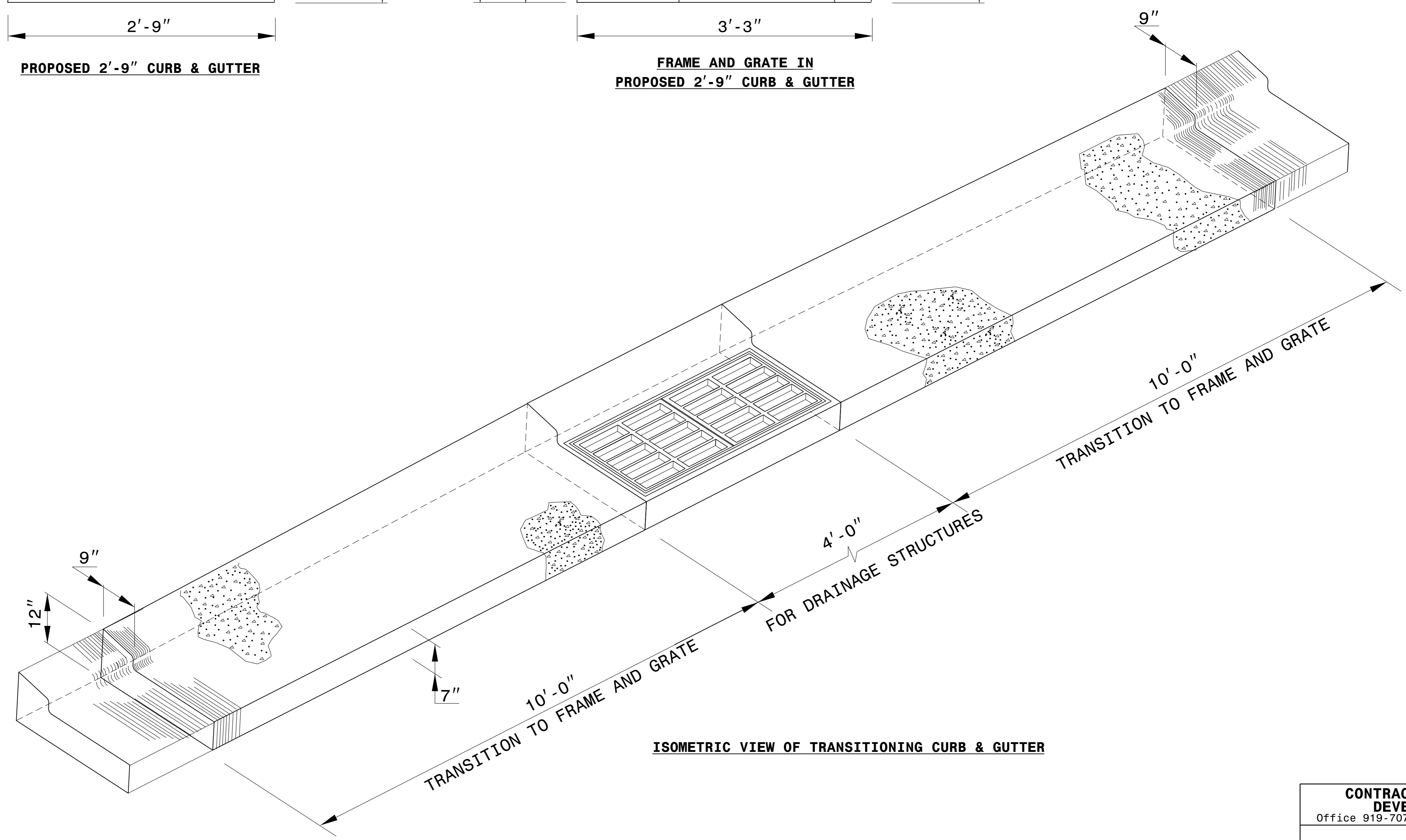


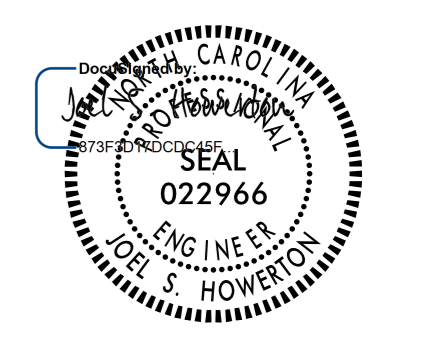
**PROPOSED 2'-9" CURB & GUTTER**



**FRAME AND GRATE IN PROPOSED 2'-9" CURB & GUTTER**



**ISOMETRIC VIEW OF TRANSITIONING CURB & GUTTER**



3/16/2017

DOCUMENT NOT CONSIDERED FINAL UNLESS ALL SIGNATURES COMPLETED

**CONTRACT STANDARDS AND DEVELOPMENT UNIT**  
 Office 919-707-6950 FAX 919-250-4119

**DETAIL OF 2'-9" TO FRAME AND GRATE**

ORIGINAL BY: \_\_\_\_\_ DATE: \_\_\_\_\_  
 MODIFIED BY: \_\_\_\_\_ DATE: \_\_\_\_\_  
 CHECKED BY: \_\_\_\_\_ DATE: \_\_\_\_\_  
 FILE SPEC.: kkempf/english/curb\_gutter\_transition.dgn