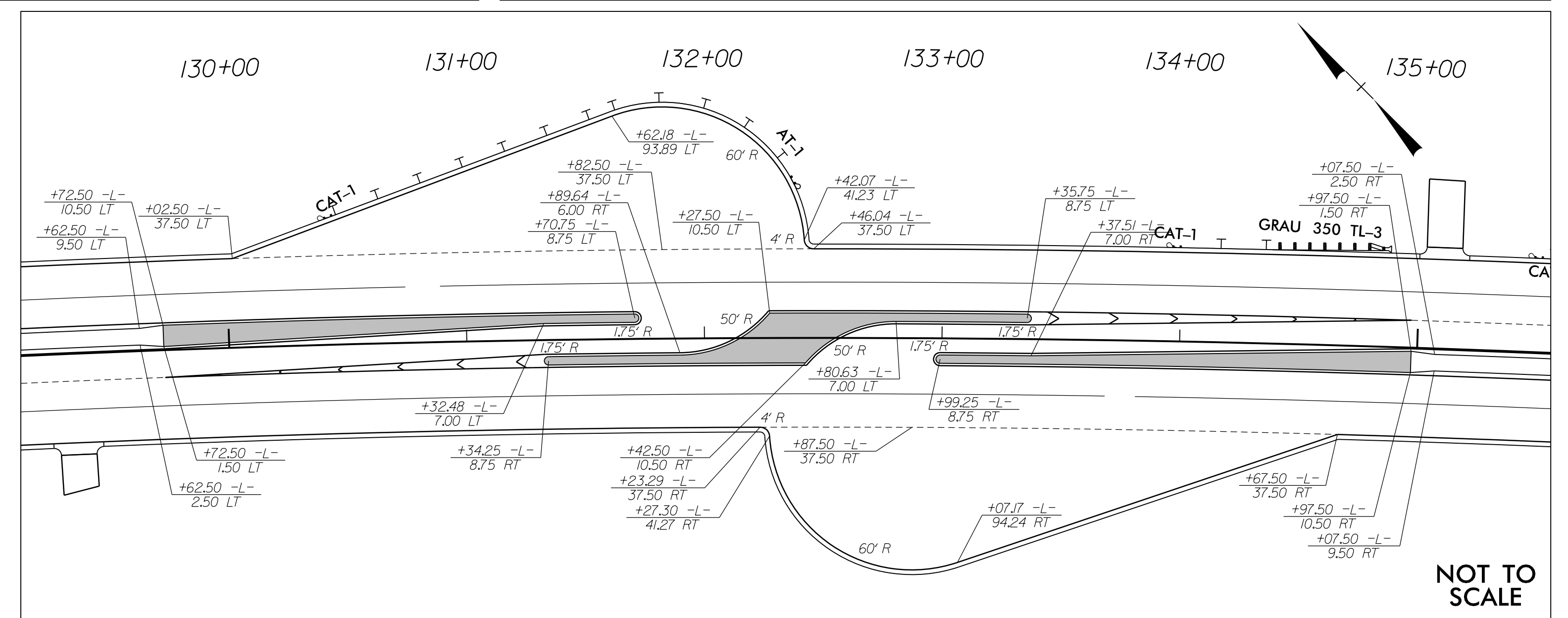
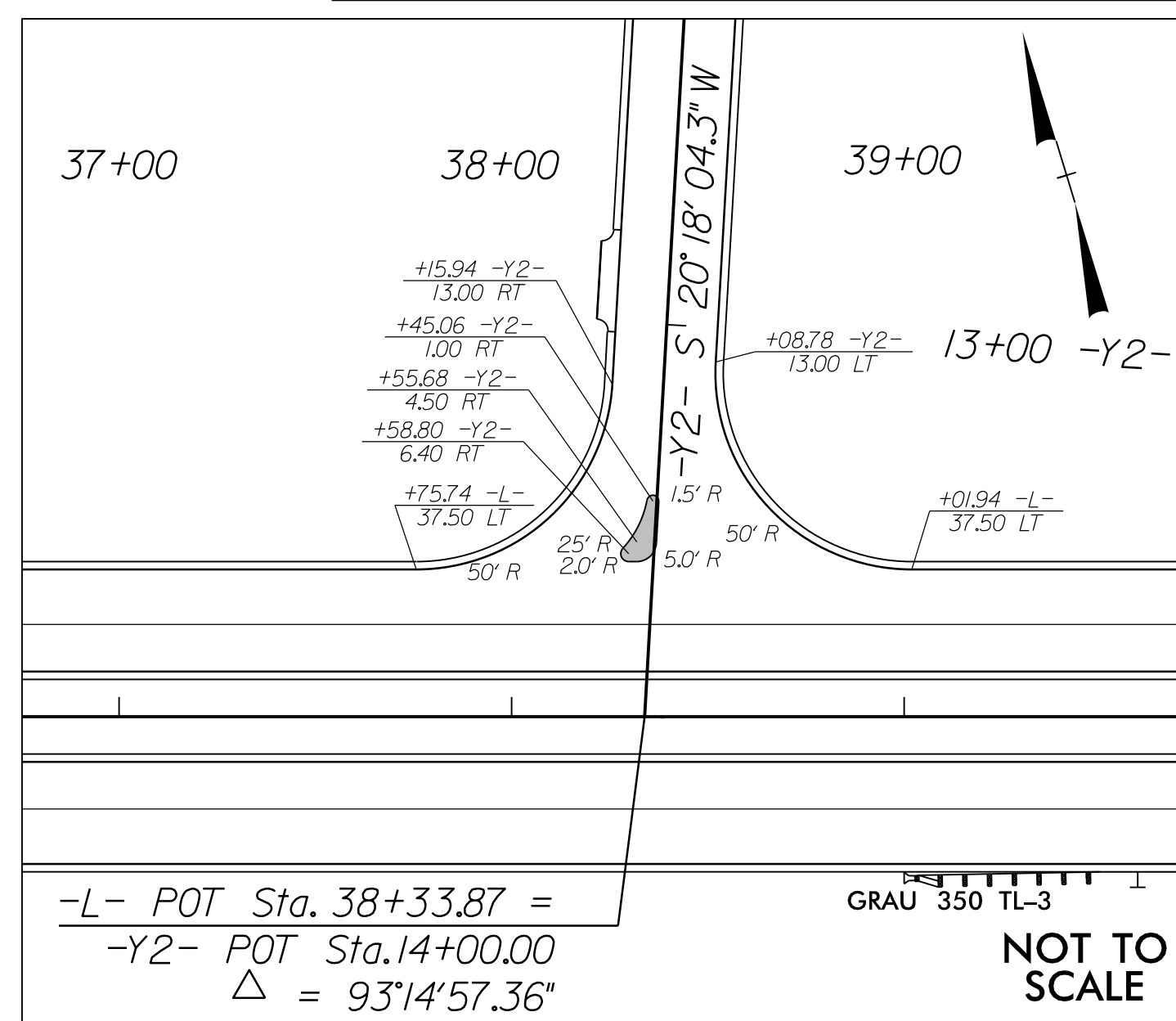
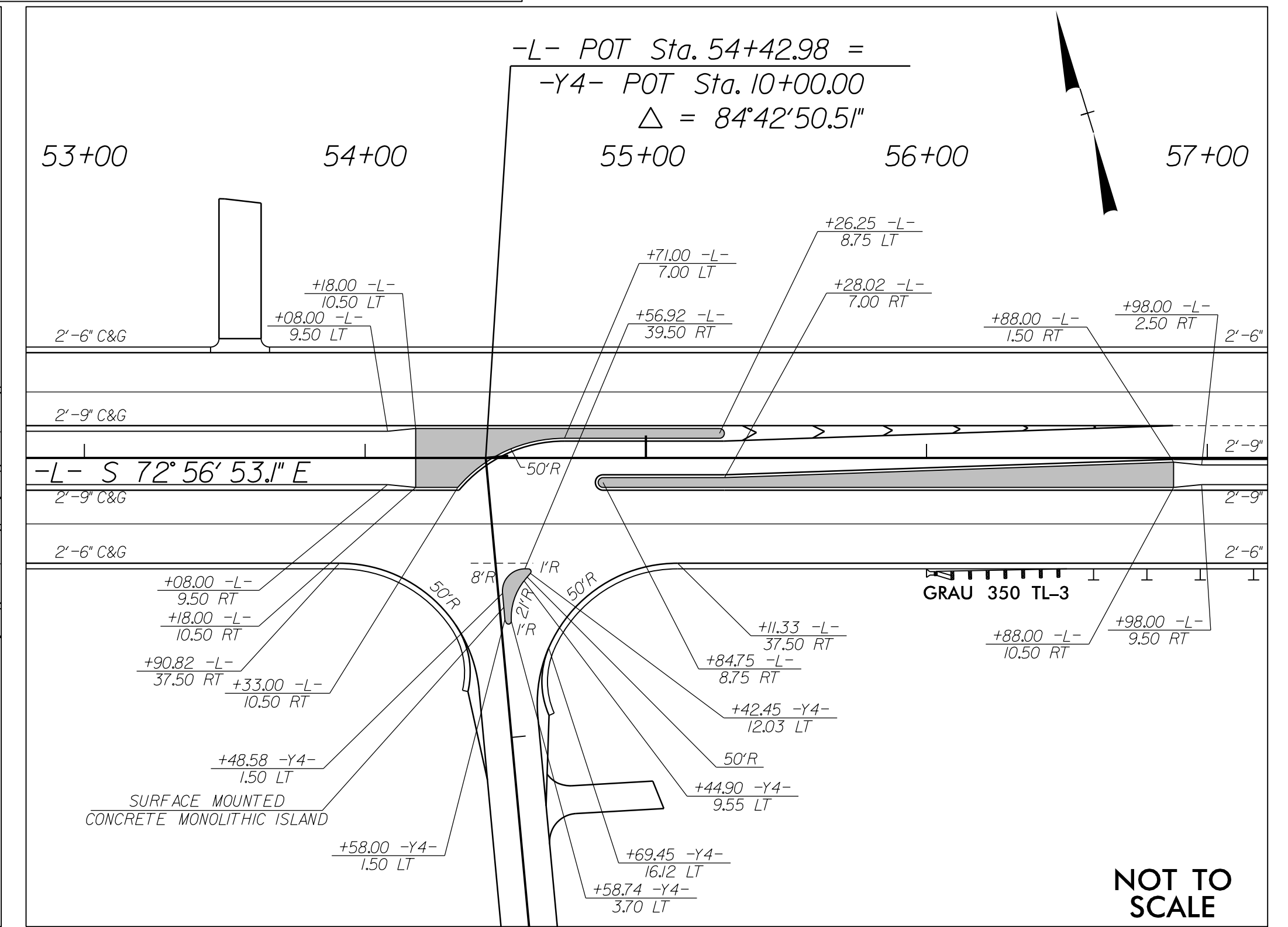
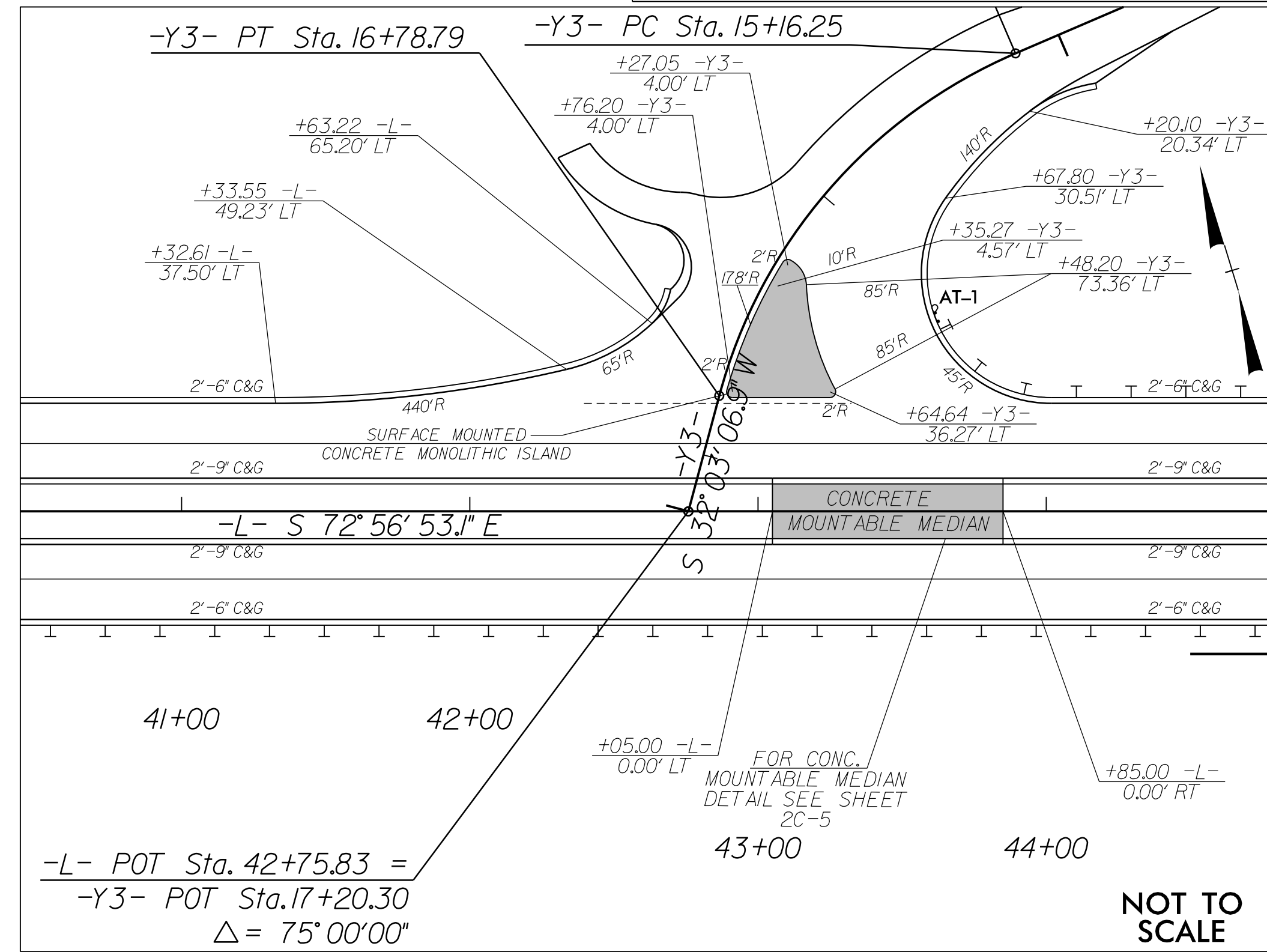
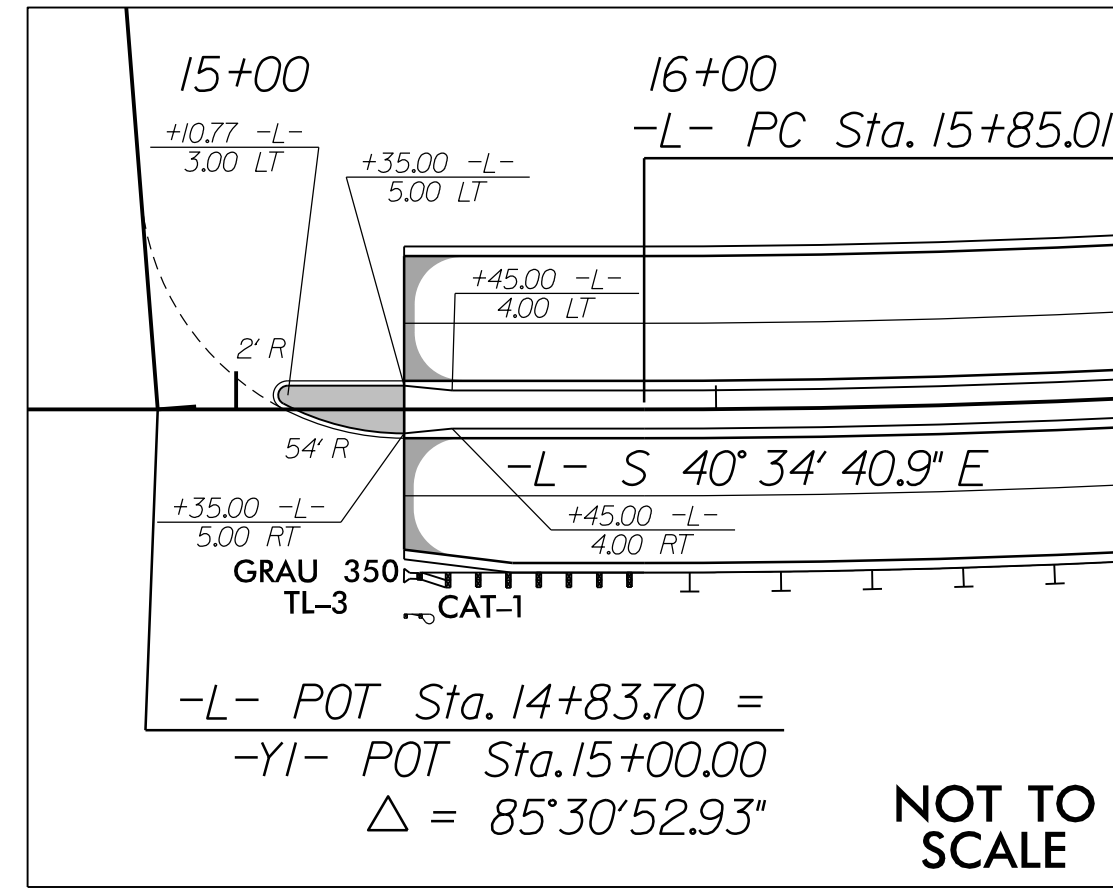
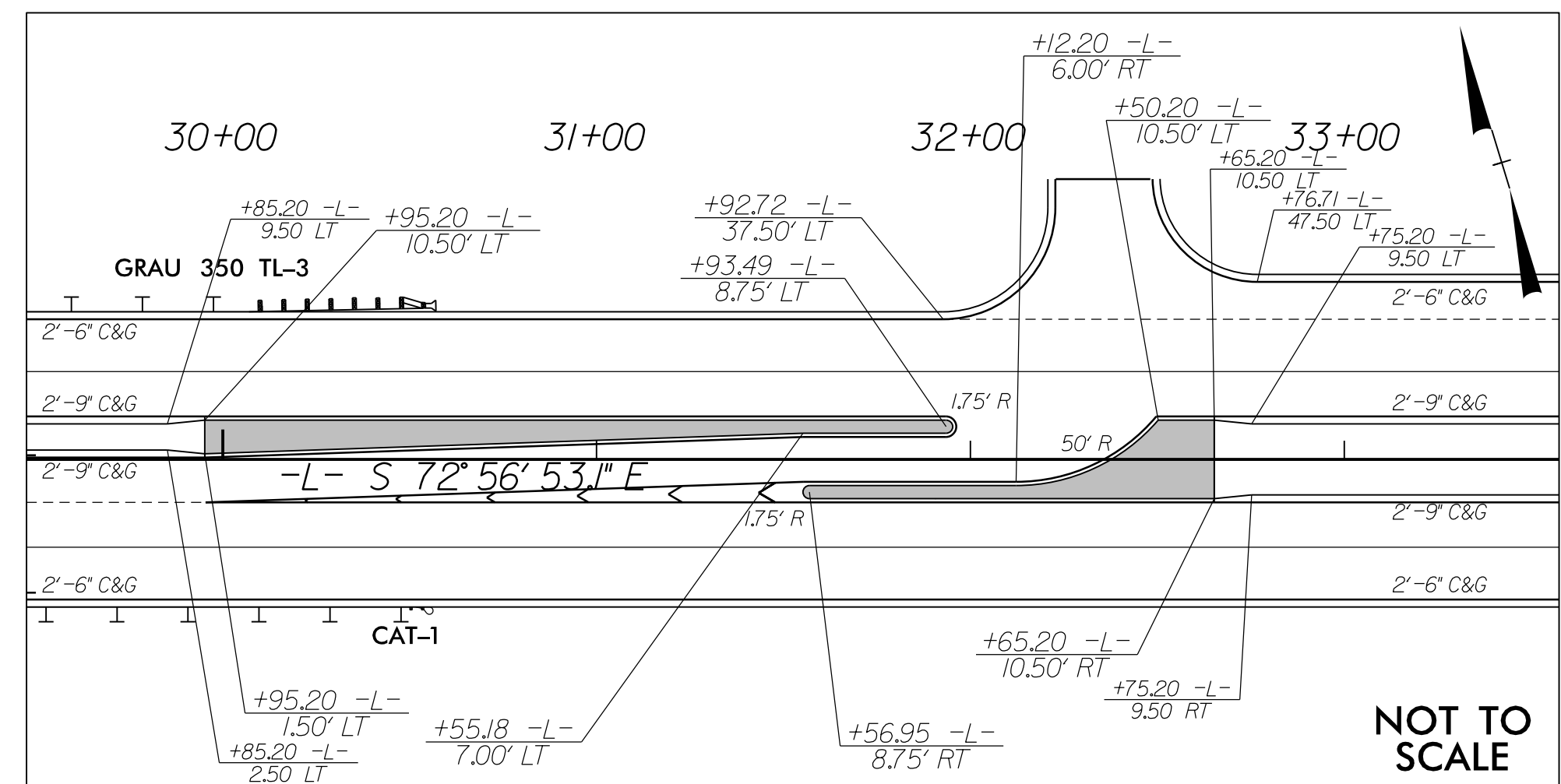
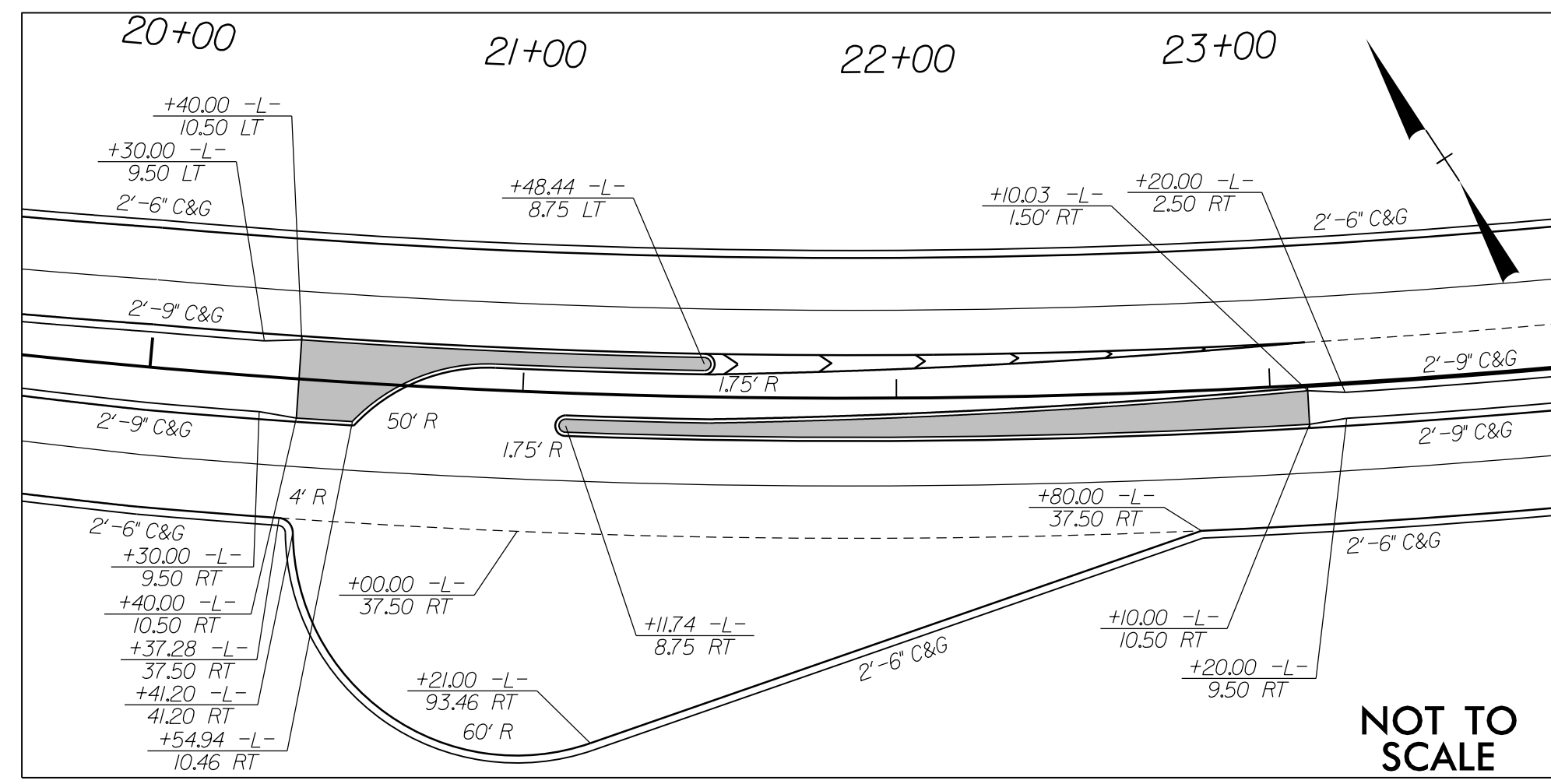


CONCRETE MONOLITHIC ISLAND DETAILS

Prepared by
URS
 URS Corporation - North Carolina
 1600 Perimeter Park Drive
 Morrisville, North Carolina 27560
 TELEPHONE (919) 461-1100 FAX (919) 461-1415
 NO. L10262E • C-22943

PROJECT REFERENCE NO. R-3100B	SHEET NO. 2B-1
RW SHEET NO.	
ROADWAY DESIGN ENGINEER	
DOCUMENT NOT CONSIDERED FINAL UNLESS ALL SIGNATURES COMPLETED	

NOTE: ALL CONCRETE MONOLITHIC ISLANDS ARE KEYED IN UNLESS OTHERWISE NOTED



REVISIONS

3/16/2017
 R:\Roadway\Pro\A\3100b_rdy_PSH2B-1_Island-Details.dgn
 schneid