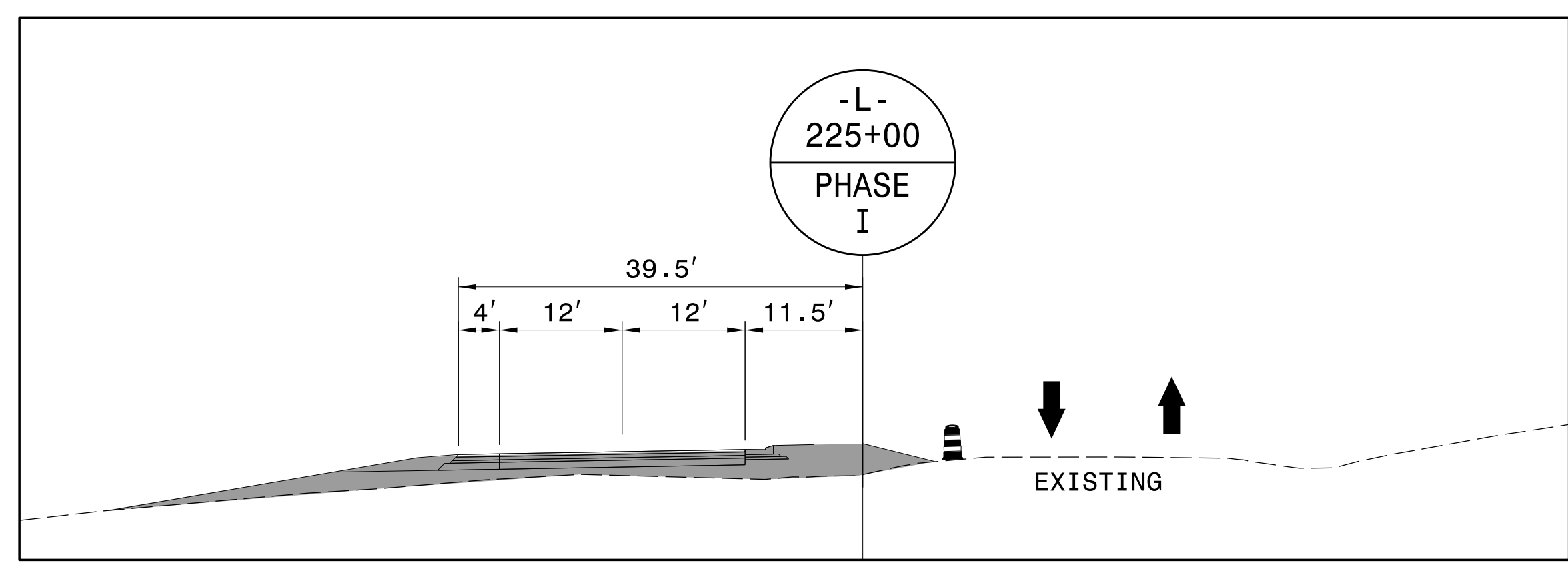
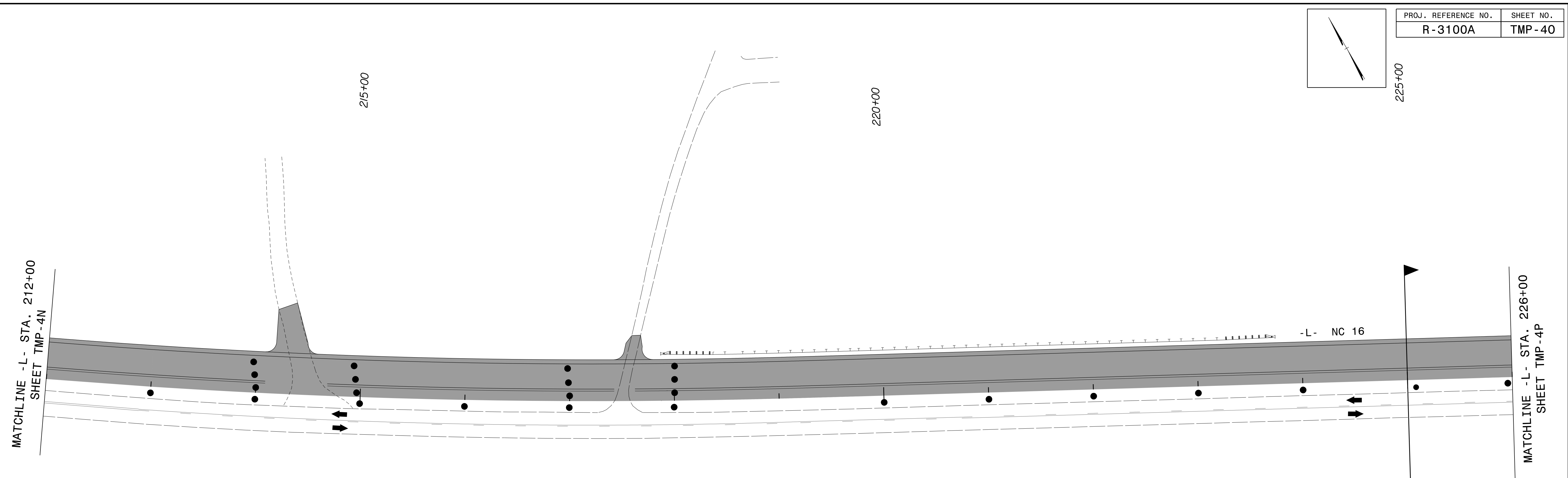


PROJ. REFERENCE NO.	SHEET NO.
R-3100A	TMP-40



10/3/2016  
 U:\TrafficControl\TCP\PLAN SHEETS\R-3100A\_TC\_TMP\_040\_PHASE\_1.dgn  
 angood

  
 Stantec Consulting Services Inc.  
 801 Jones Franklin Road  
 Suite 300  
 Raleigh, NC 27606  
 Tel. 919.851.6866  
 Fax. 919.851.7024  
 www.stantec.com  
 License No. F-0672

10/3/2016  
 DOCUMENT NOT CONSIDERED FINAL  
 UNLESS ALL SIGNATURES COMPLETED

DIVISION OF HIGHWAYS  
 STATE OF NORTH CAROLINA  
 WORK ZONE TRAFFIC CONTROL UNIT

PHASE I