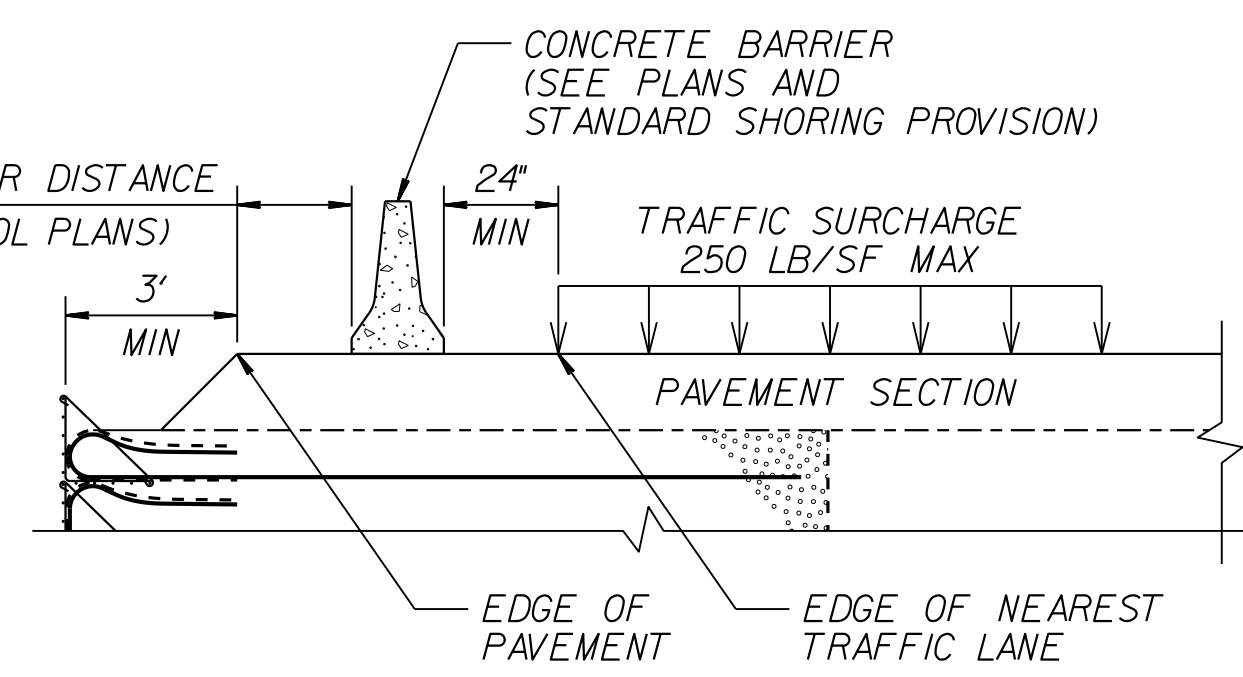
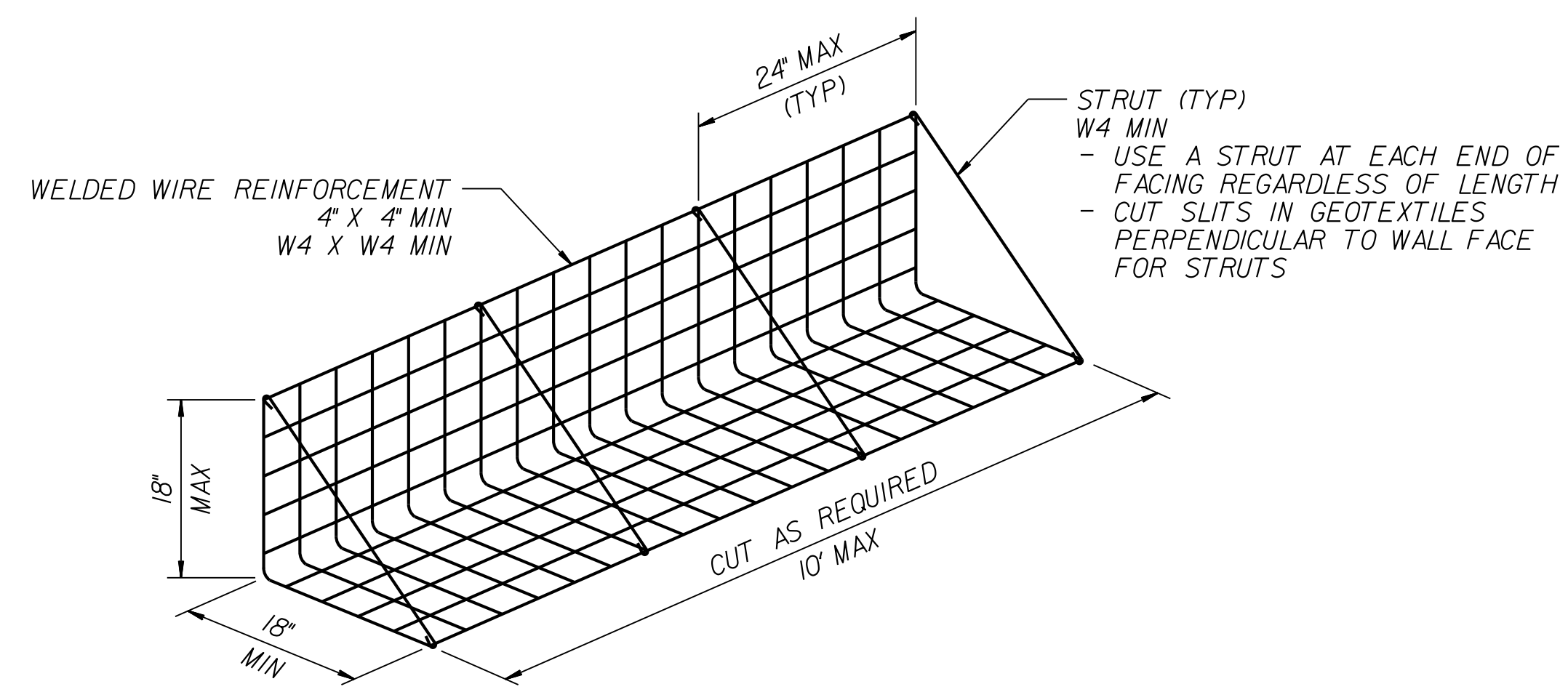


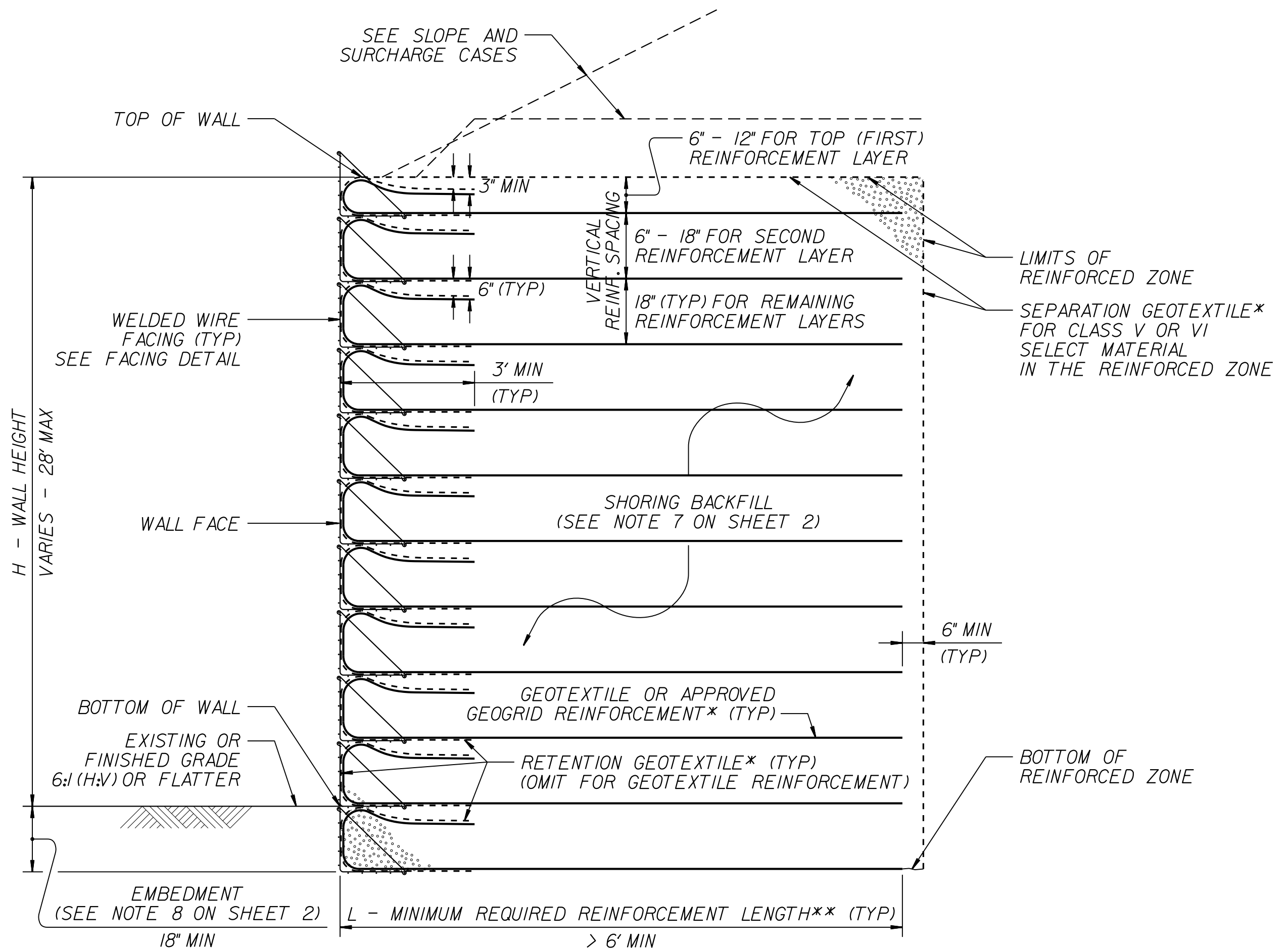
**SLOPE CASE**



**SURCHARGE CASE**

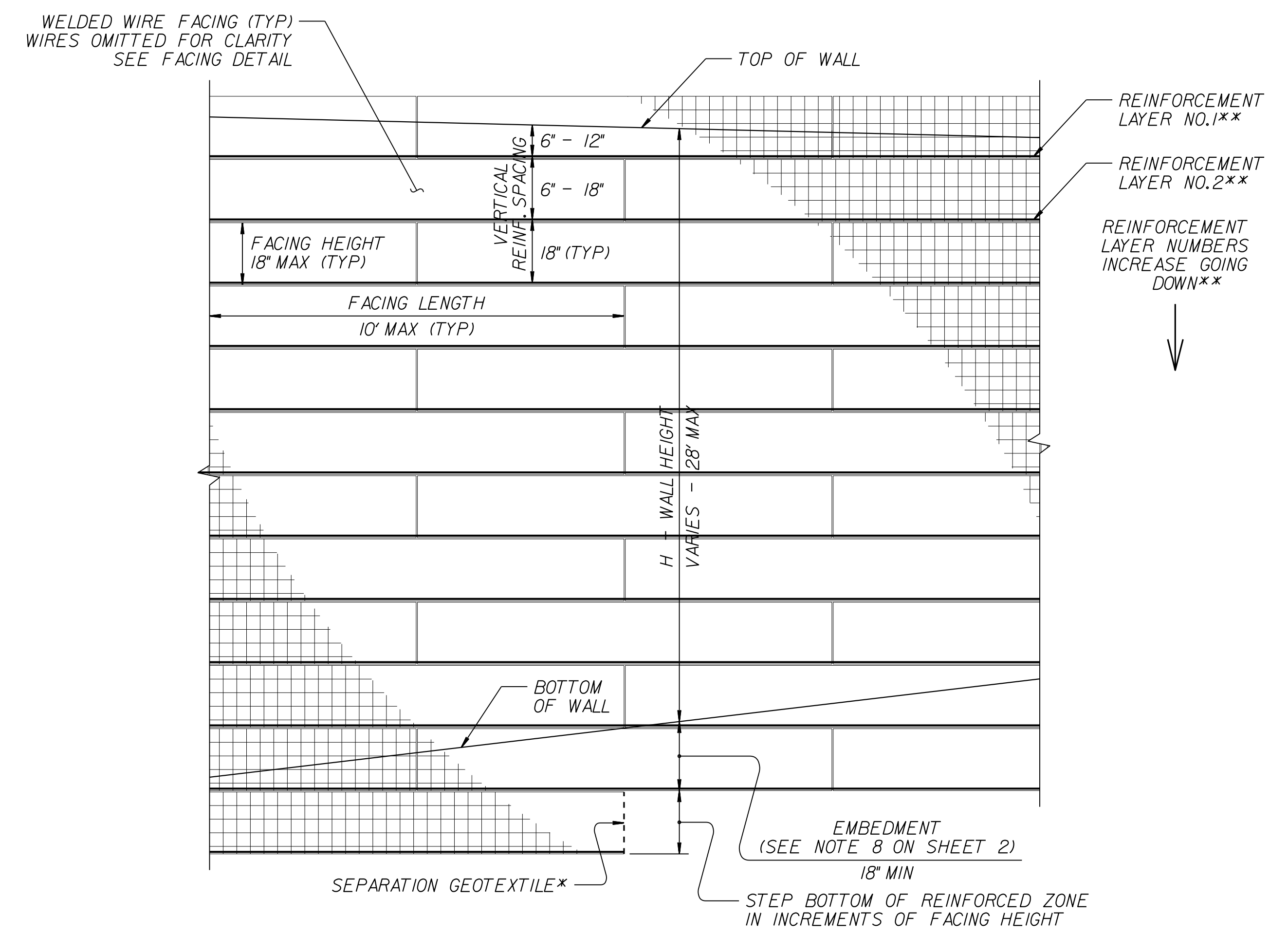


**FACING DETAIL**



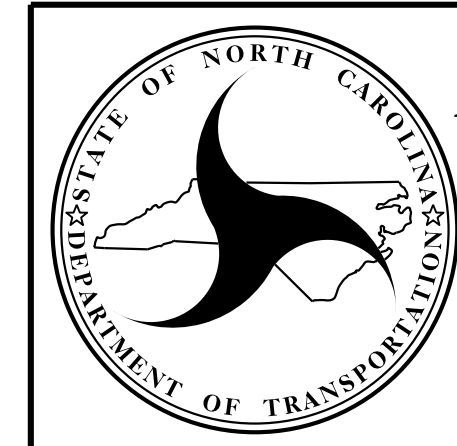
**STANDARD TEMPORARY WALL**

(FOR STANDARD TEMPORARY WALLS ON STRUCTURES, SEE TEMPORARY WALL ON STRUCTURE DETAIL ON SHEET 2.)  
 \*SEE GEOSYNTHETIC PLACEMENT DETAILS ON SHEET 2.  
 \*\*SEE REINFORCEMENT TABLES ON SHEET 3.



**STANDARD TEMPORARY WALL – PARTIAL ELEVATION**

\*SEE GEOSYNTHETIC PLACEMENT DETAILS ON SHEET 2.  
 \*\*SEE REINFORCEMENT TABLES ON SHEET 3.



**NORTH CAROLINA  
 DEPARTMENT OF TRANSPORTATION  
 DIVISION OF HIGHWAYS**

**GEOTECHNICAL  
 ENGINEERING UNIT**

STANDARD DETAIL NO. 1801.02

**STANDARD  
 TEMPORARY WALL  
 SHEET 1 OF 3**