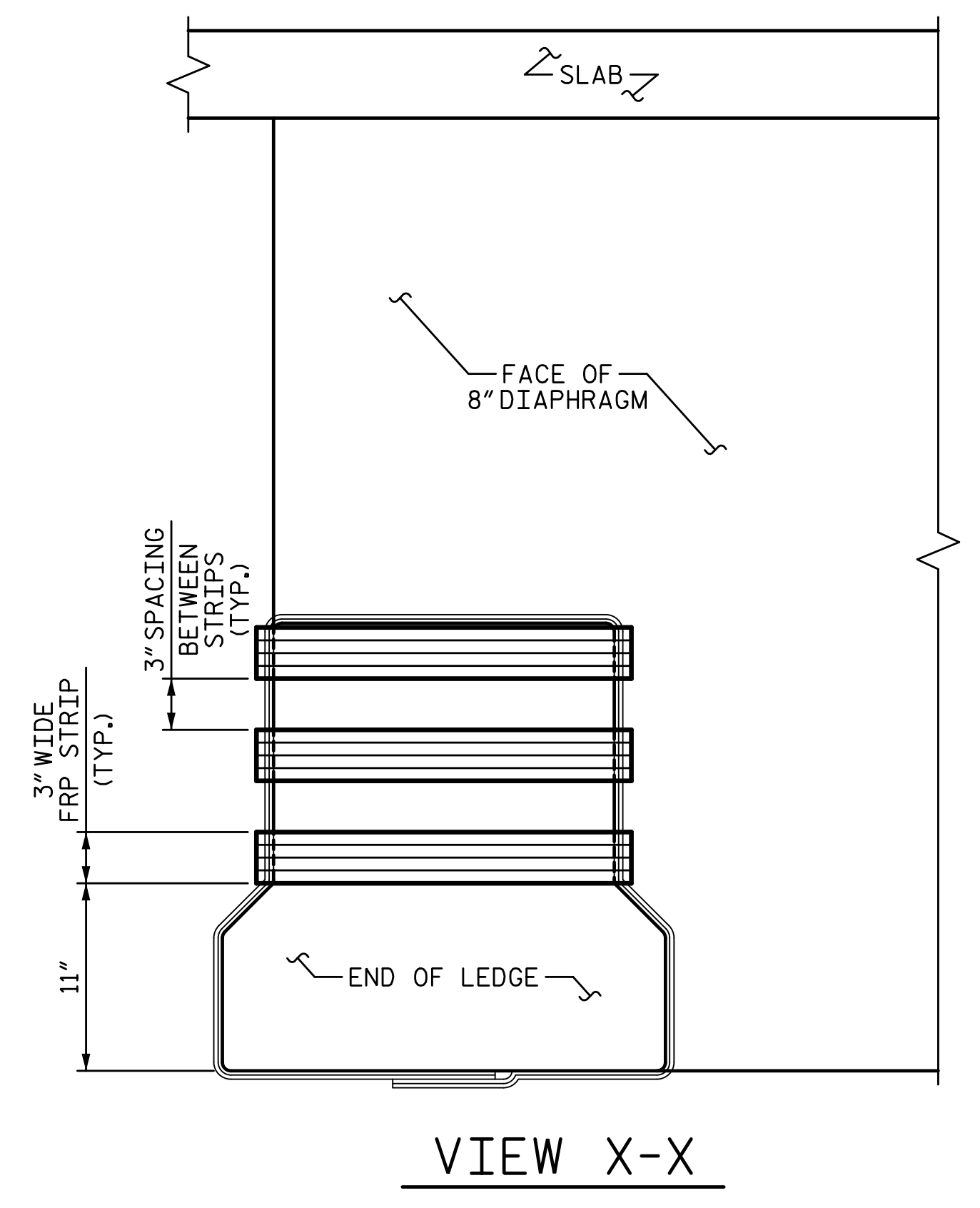
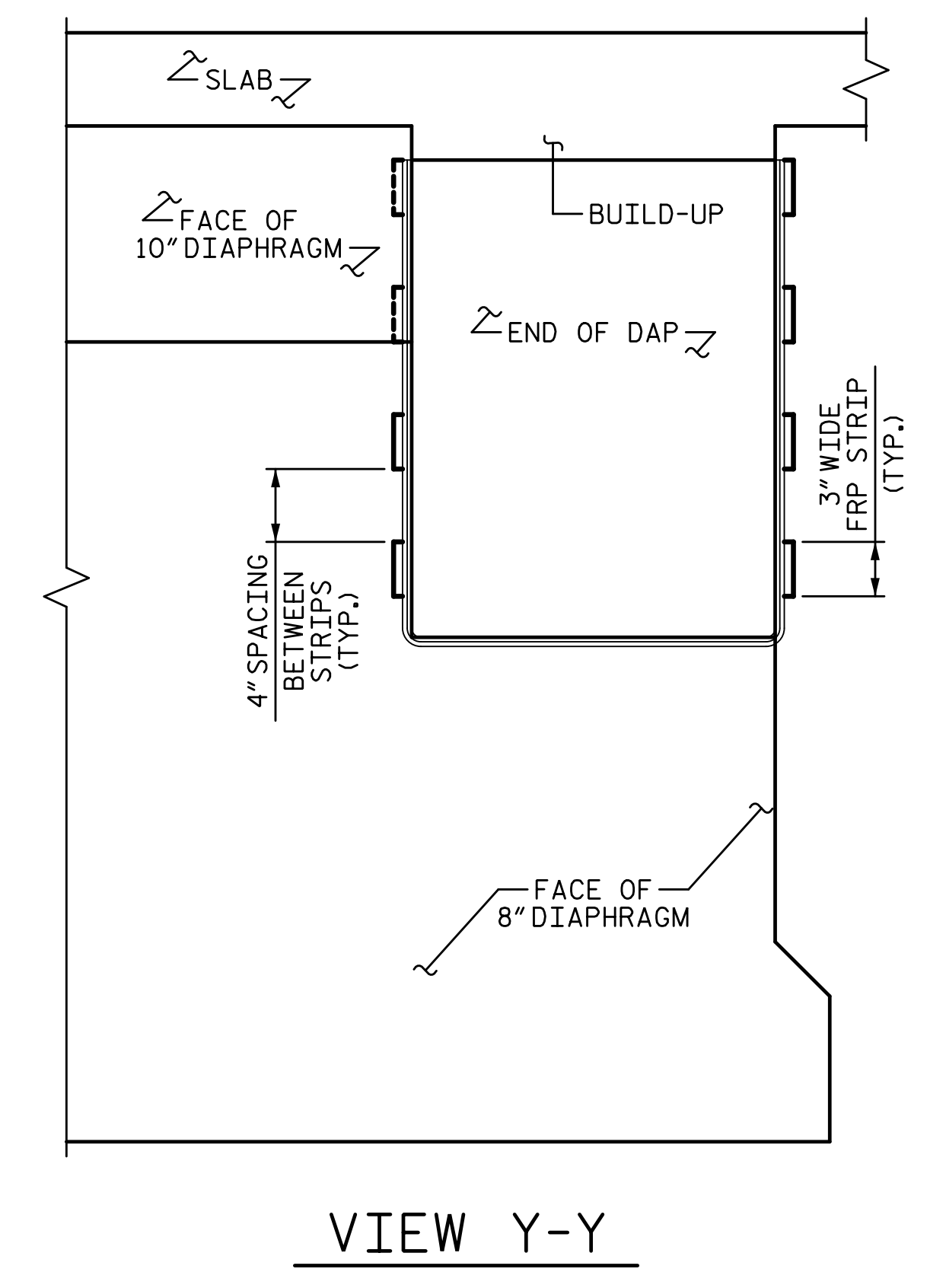


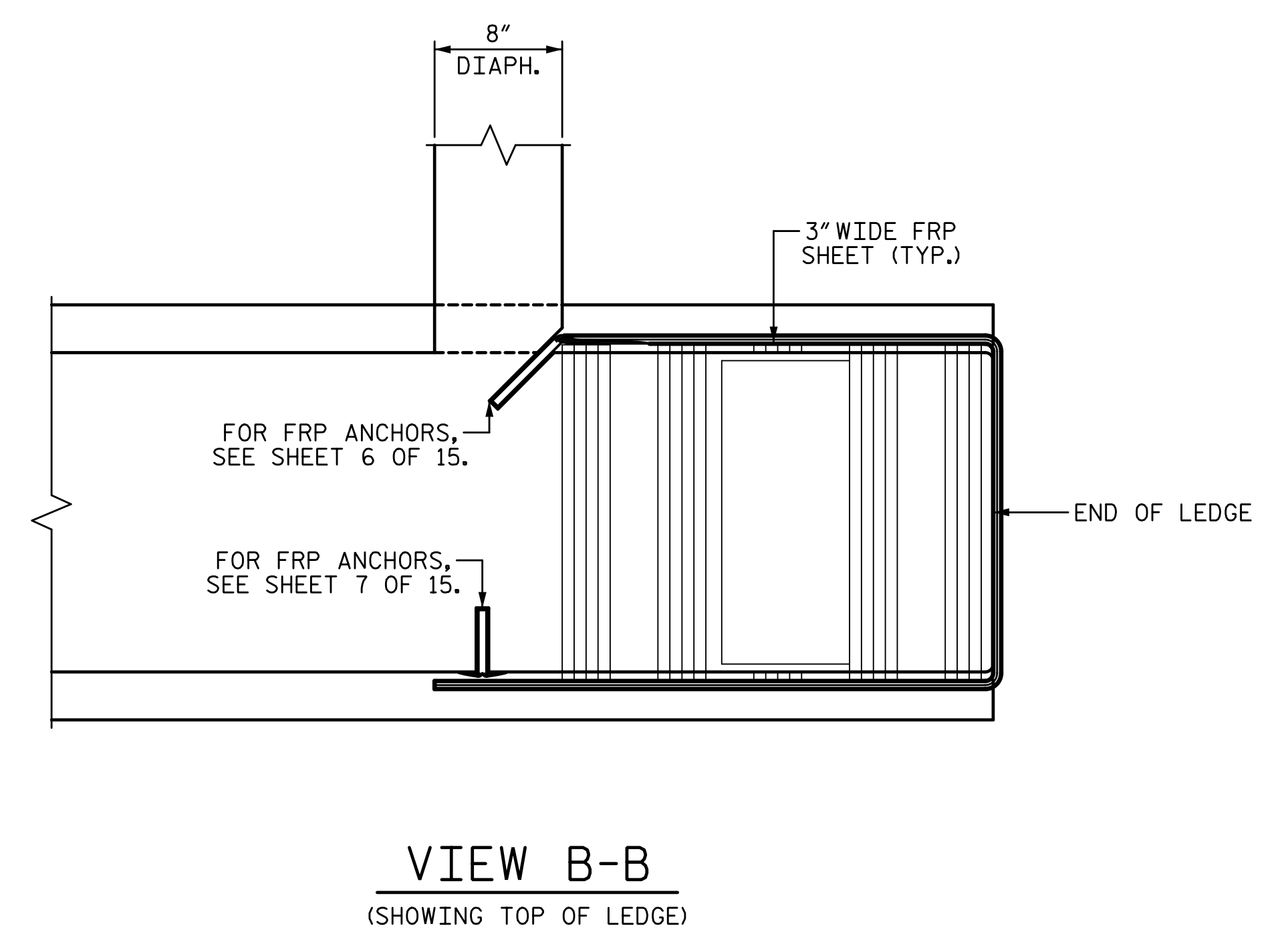
2/15/2017 2:04:21 PM G:\Projects\2015\Carteret 6 FRP Repair\Structures\Drawings\Final\Carteret 6_smu_repairs.dgn



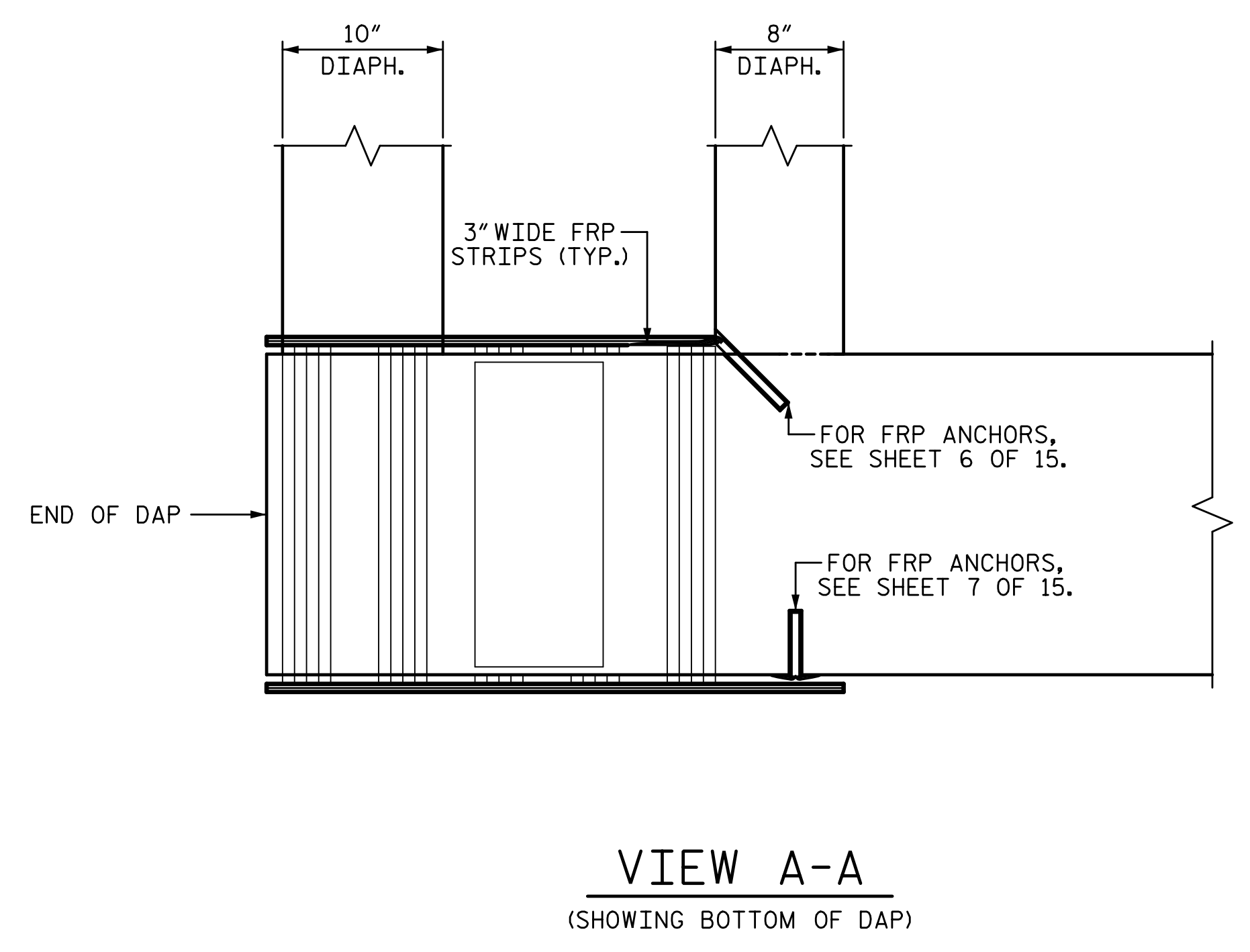
VIEW X-X



VIEW Y-Y



VIEW B-B
(SHOWING TOP OF LEDGE)



VIEW A-A
(SHOWING BOTTOM OF DAP)

PROJECT NO. B-5939
CARTERET COUNTY
 BRIDGE NO.: 6

SHEET 11 OF 15

STATE OF NORTH CAROLINA
 DEPARTMENT OF TRANSPORTATION
 RALEIGH
 PRESERVATION
 FRP STRIPS LAYER 2
 FOR
 EXTERIOR GIRDERS
 FRP HINGE REPAIR

REVISIONS						SHEET NO.
NO.	BY:	DATE:	NO.	BY:	DATE:	S2-56
1			3			TOTAL SHEETS
2			4			

PLANS PREPARED BY:

SE & A
 SIMPSON ENGINEERS & ASSOCIATES
 5640 Dillard Drive
 Suite 200
 Cary, NC 27518
 (919) 852-0468
 (919) 852-0538 (Fax)
 www.simpsonengr.com
 LICENSURE NO. C-2521



**DOCUMENT NOT CONSIDERED FINAL
 UNLESS ALL SIGNATURES COMPLETED**

DRAWN BY: T. BANKOVICH DATE: 4-16
 CHECKED BY: N.J. MABRY DATE: 4-16
 DESIGN ENGINEER OF RECORD: T.J. BEACH DATE: 4-16