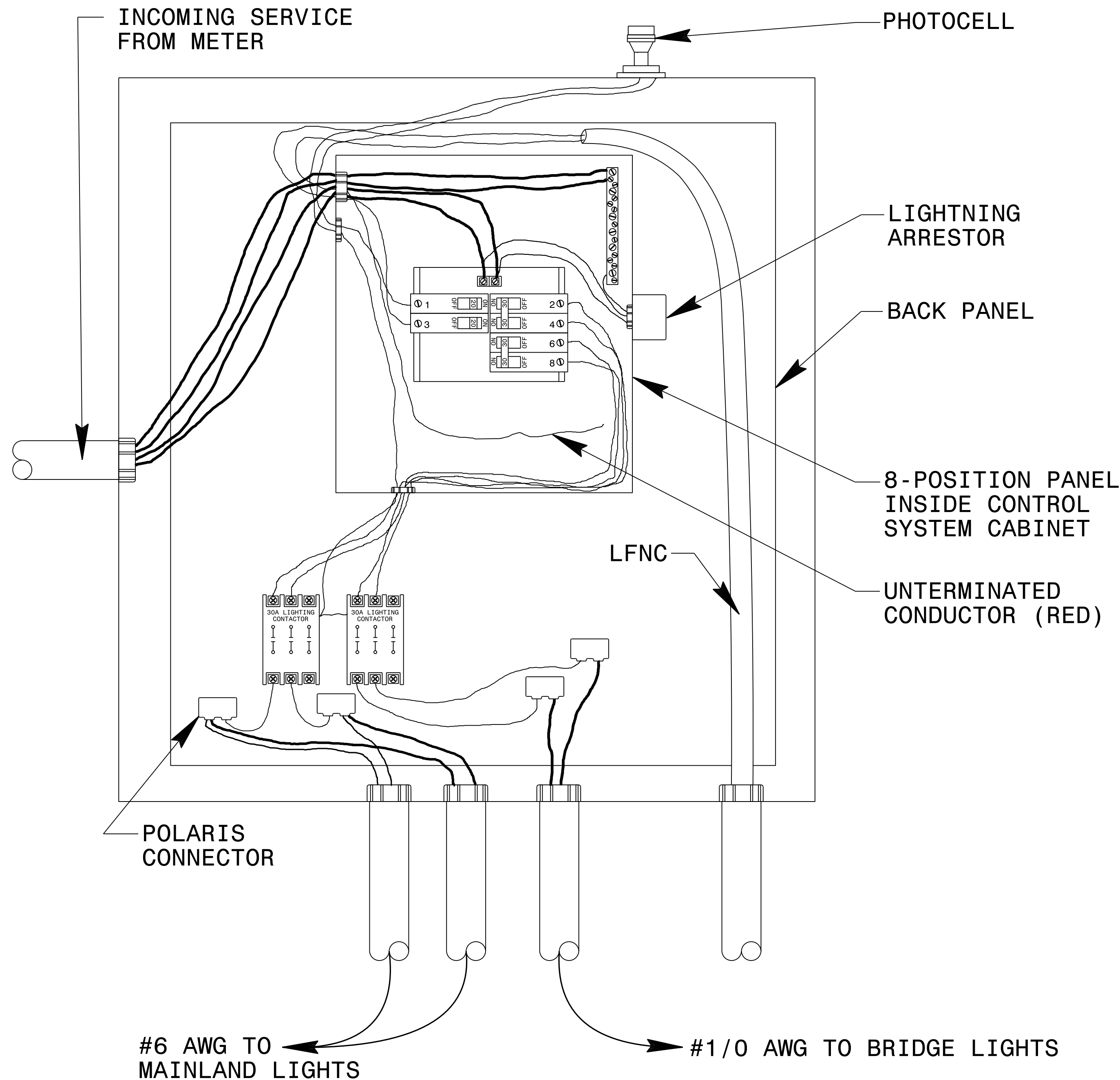


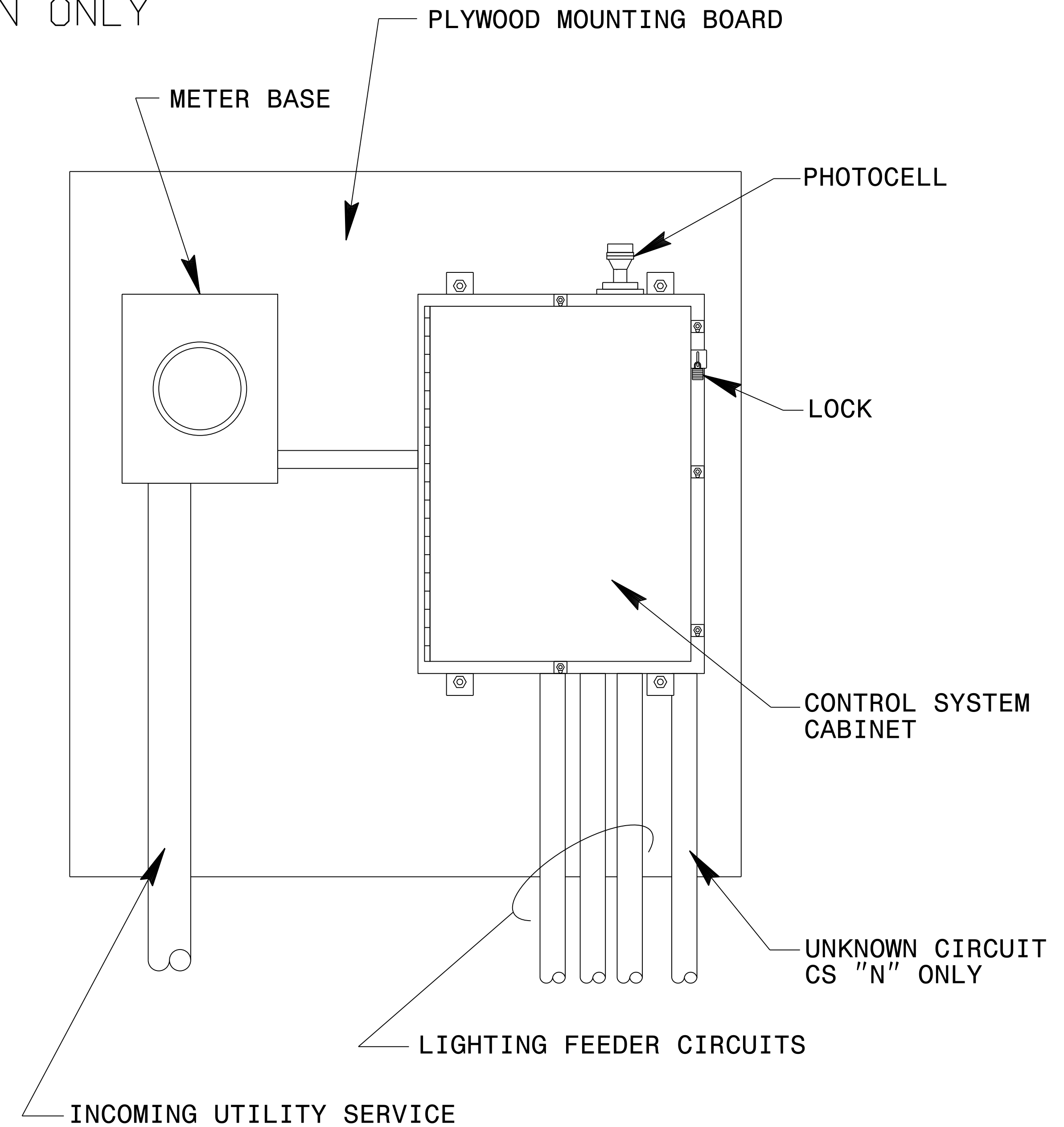
USE FOR LIGHTING CONSTRUCTION ONLY



CONTROL PANEL LAYOUT AND CONNECTIONS

*GROUND AND NEUTRAL CONNECTIONS NOT SHOWN

POSITION	CONNECTION
1	PHOTOCELL
2	LIGHTING CKT
3	UNKNOWN
4	LIGHTING CKT
5	BLANK
6	LIGHTING CKT
7	BLANK
8	LIGHTING CKT



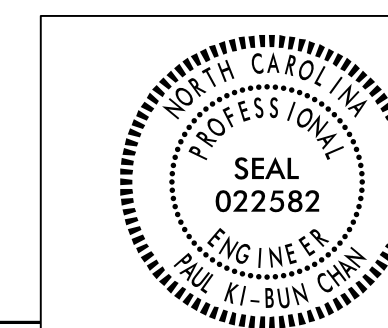
CONTROL PANEL MOUNTING DETAILS

TYPICAL FOR CONTROL SYSTEM "N" AND "S"

PROJECT NO. B-5938
CARTERET COUNTY

SHEET 6 OF 6

STATE OF NORTH CAROLINA
 DEPARTMENT OF TRANSPORTATION
 RALEIGH
LIGHTING DETAILS
 CONTROL SYSTEM "N"
 LAYOUT
 MOREHEAD CITY



Designed by
Paul Chan
 1/20/2017

SEE PROJECT SPECIAL PROVISIONS TITLED "LIGHTING" FOR MATERIALS CONSTRUCTION METHODS AND PAYMENT.

REVISIONS						SHEET NO. L-6
NO.	BY:	DATE:	NO.	BY:	DATE:	
1			3			TOTAL SHEETS 6
2			4			

18-JAN-2017 12:43
 R:\N\Projects\Lighting Design\B5938-1&e-psh-CS-Details.dgn
 \$\$\$USERNAME\$\$\$

DCM