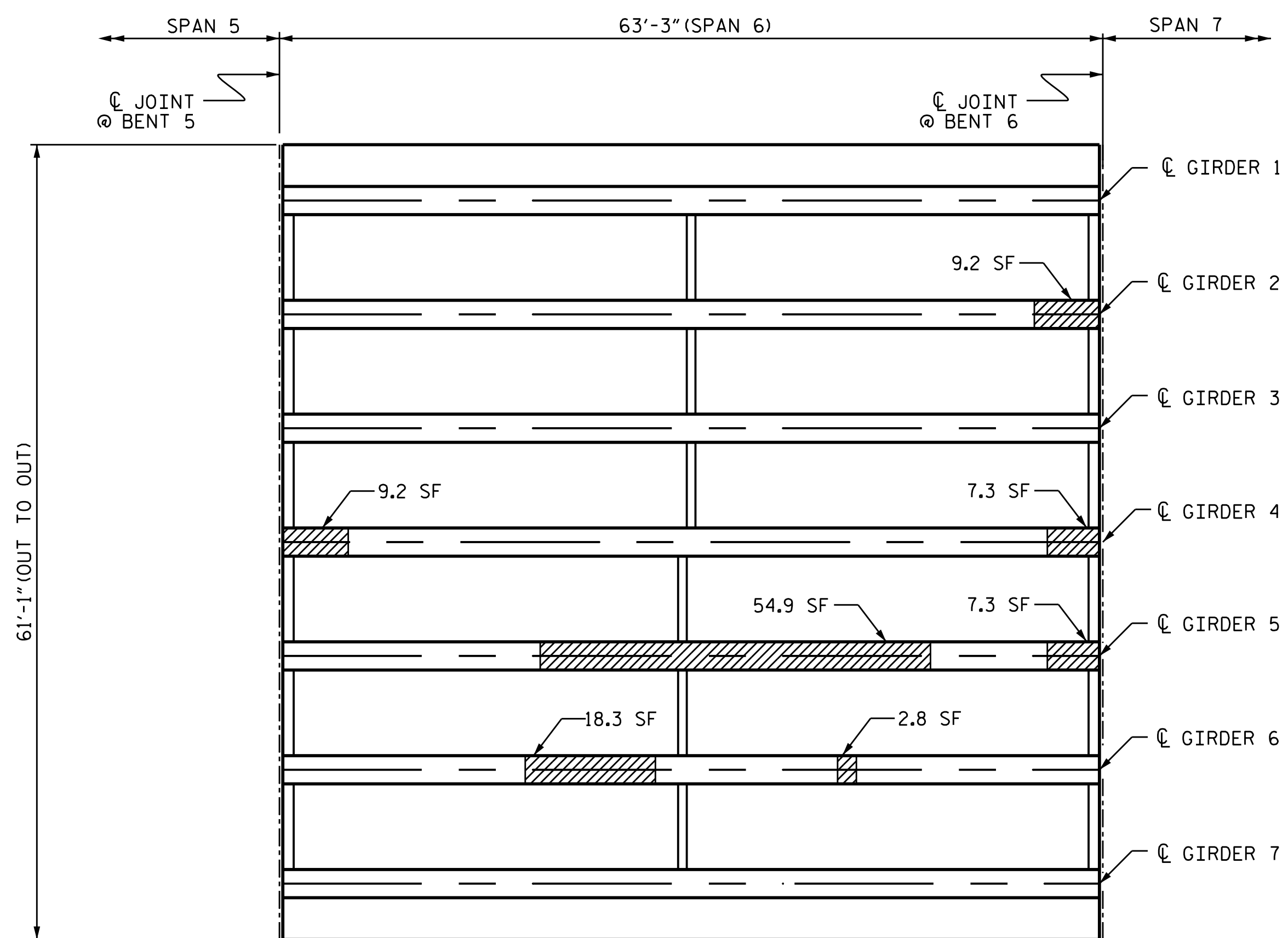


SPAN 5 - UNDERSIDE



SPAN 6 - UNDERSIDE

REPAIR QUANTITY TABLE

REPAIRS SPAN 5	QUANTITIES			
	ESTIMATE		ACTUAL	
	AREA SF	VOLUME CF	AREA SF	VOLUME CF
PRESTRESSED CONCRETE GIRDER REPAIR	21.9	6.4		
SHOTCRETE REPAIRS	0.0	0.0		
REPAIRS SPAN 6	QUANTITIES			
	ESTIMATE		ACTUAL	
	AREA SF	VOLUME CF	AREA SF	VOLUME CF
PRESTRESSED CONCRETE GIRDER REPAIR	109.0	31.8		
SHOTCRETE REPAIRS	0.0	0.0		

NOTES:

SPANS WILL RECEIVE FULL LENGTH TSA COATING, SEE "PRESTRESSED CONCRETE GIRDERS WITH THERMAL SPRAY ANODE" SPECIAL PROVISION AND SHEETS S1-40THRU S1-43.

FOR GIRDER & DIAPHRAGM AND UNDERDECK REPAIRS SEE "TYPICAL GIRDER, UNDERDECK AND DIAPHRAGM REPAIR DETAILS" SHEET.

FOR PRESTRESSED CONCRETE GIRDER REPAIR, SEE "PRESTRESSED CONCRETE GIRDERS WITH THERMAL SPRAY ANODE" SPECIAL PROVISION.

FOR SHOTCRETE REPAIRS, SEE SPECIAL PROVISIONS.

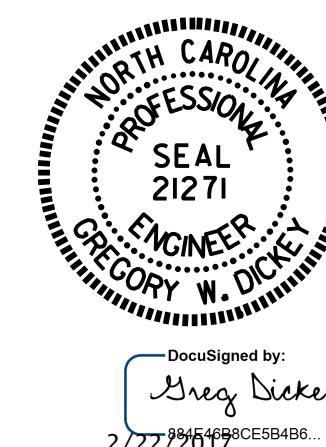
VALUES IN CHART REPRESENT ESTIMATED REPAIR TOTALS AFTER REMOVAL OF UNSOUND CONCRETE TO REPAIR DEPTH AND MIN. 1" CL. TO SAW CUT. SEE REPAIR DETAILS.

 - PRESTRESSED CONCRETE GIRDER REPAIR

 - SHOTCRETE REPAIRS

PROJECT NO. B-5938
CARTERET COUNTY
 BRIDGE NO. 68

SHEET 3 OF 24



STATE OF NORTH CAROLINA
 DEPARTMENT OF TRANSPORTATION
 RALEIGH

FRAMING PLAN
 SPANS 5 & 6

DRAWN BY : S. T. SANDOR DATE : 08/2016
 CHECKED BY : P. D. BRYANT DATE : 08/2016

DOCUMENT NOT CONSIDERED
 FINAL UNLESS ALL
 SIGNATURES COMPLETED

REVISIONS						SHEET NO. S1-17
NO.	BY:	DATE:	NO.	BY:	DATE:	
1			3			TOTAL SHEETS -
2			4			