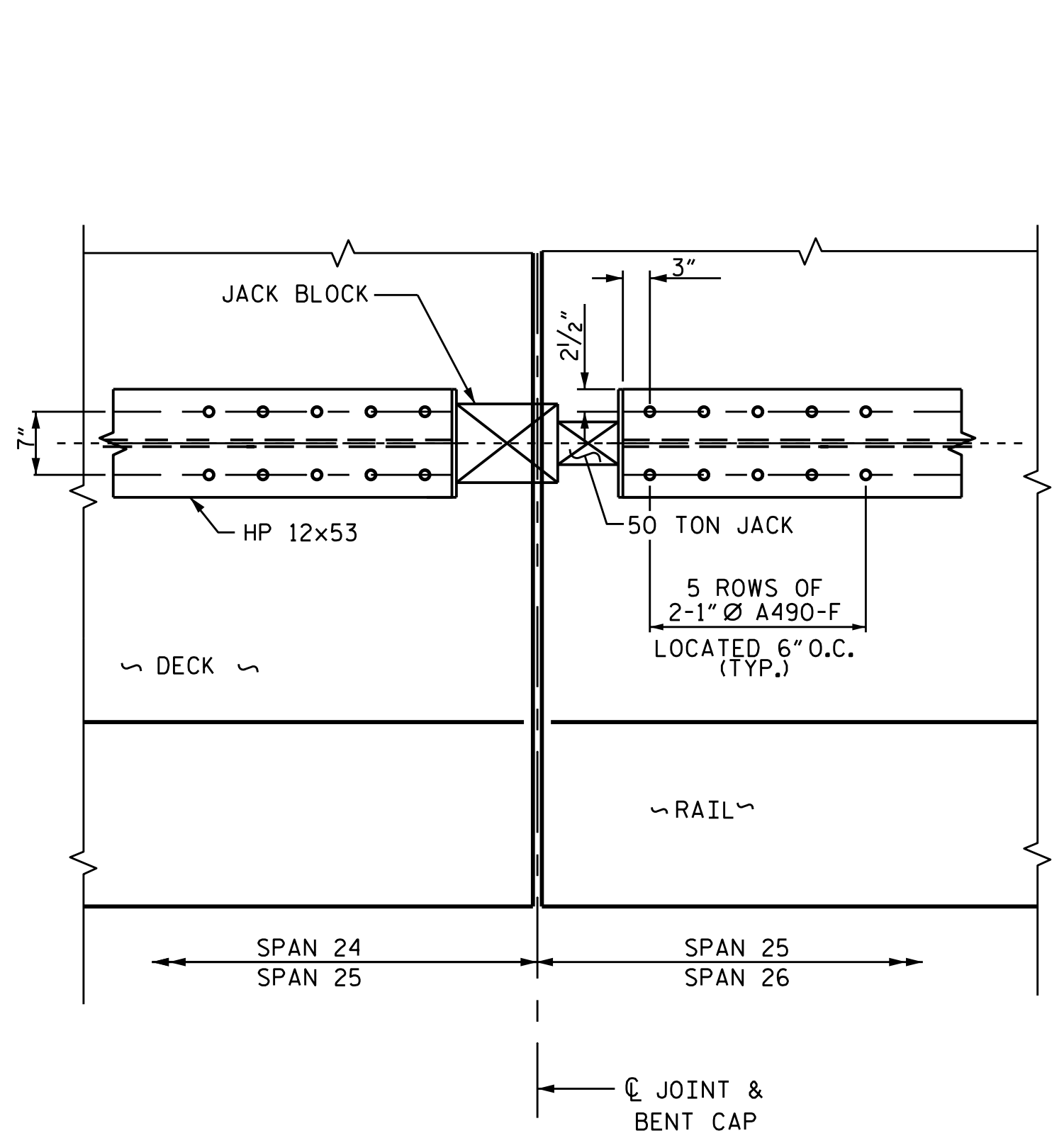
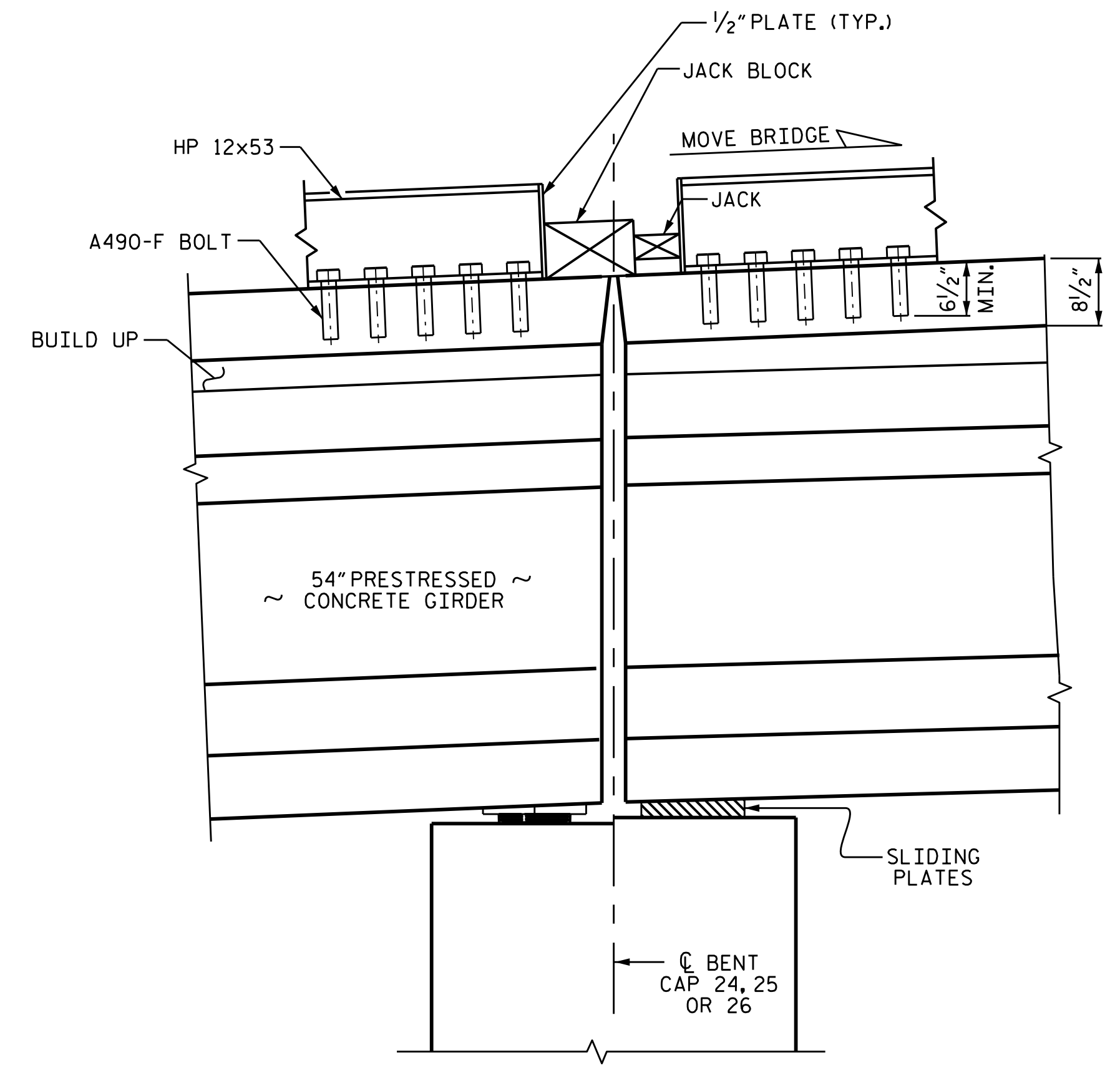


TYPICAL SECTION  
(BENT 24, 25 OR 26)

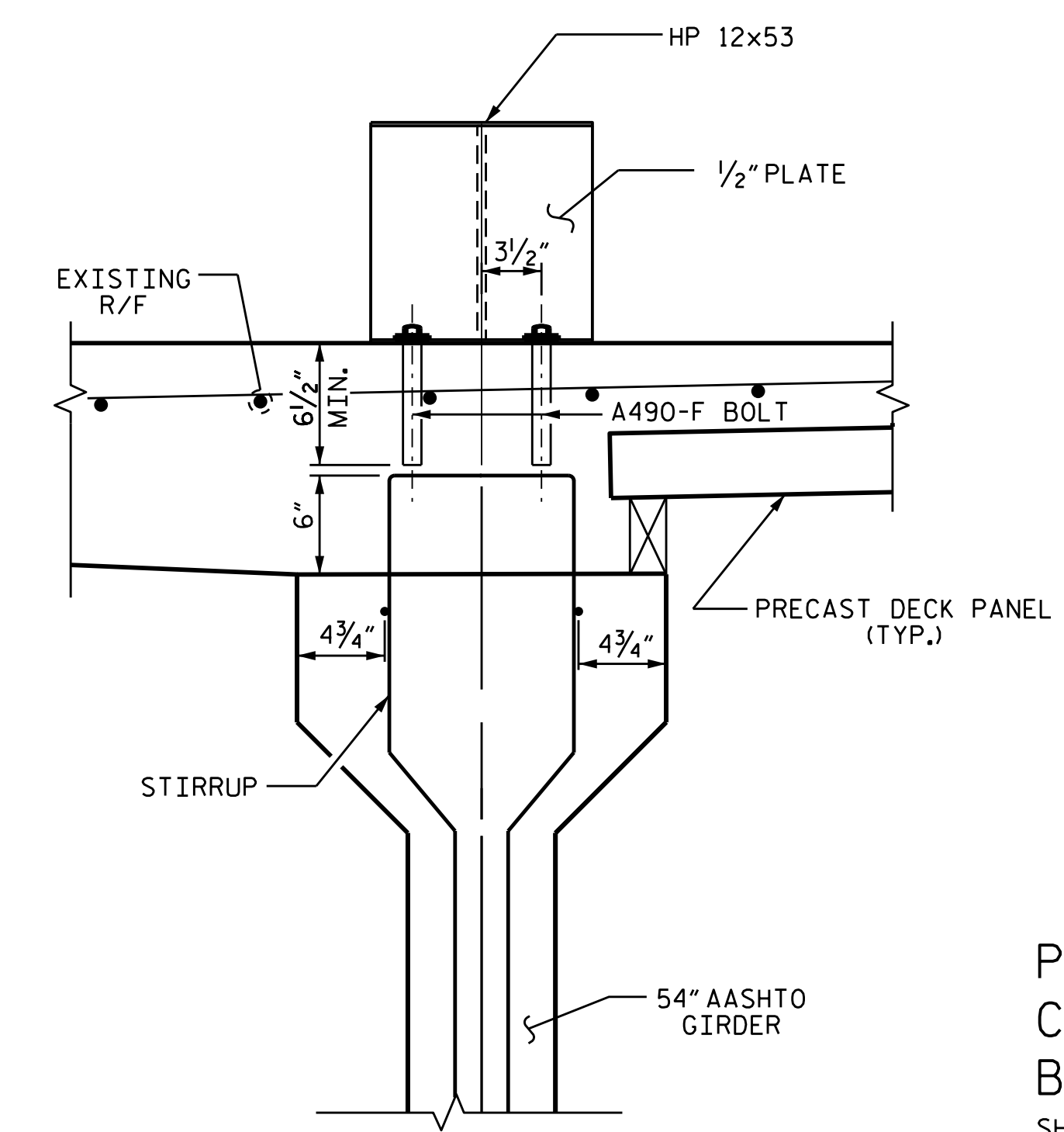


SECTION B-B



SECTION C-C

NOTE: CONTRACTOR SHALL SUBMIT DETAIL OF SLIDING PLATES TO ENGINEER FOR APPROVAL PRIOR TO BEGINNING WORK.



DETAIL "B"

PROJECT NO. B-5938  
 COUNTY: CARTERET  
 BRIDGE NO. 68  
 SHEET 4 OF 6

STATE OF NORTH CAROLINA  
 DEPARTMENT OF TRANSPORTATION  
 RALEIGH  
 SPAN  
 RE-POSITIONING  
 HORIZONTAL JACKING



Designed by  
 Greg Dickey  
 2/22/2017

DRAWN BY: WJ HARRIS DATE: JAN. 2017  
 CHECKED BY: GW DICKEY DATE: JAN. 2017

DOCUMENT NOT CONSIDERED  
 FINAL UNLESS ALL  
 SIGNATURES COMPLETED

REVISIONS						SHEET NO.
NO.	BY	DATE	NO.	BY	DATE	S1-12
1			3			-
2			4			-