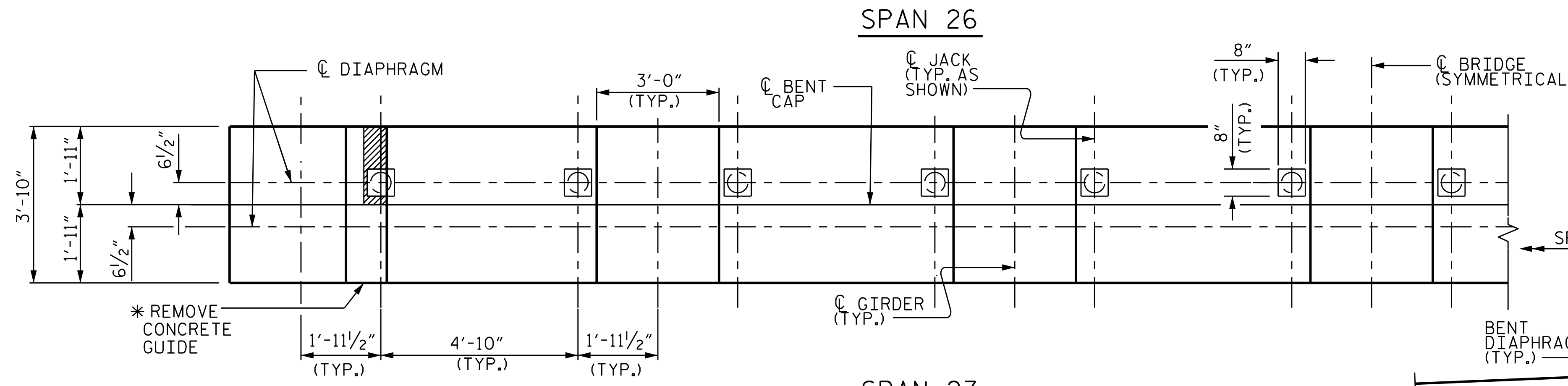


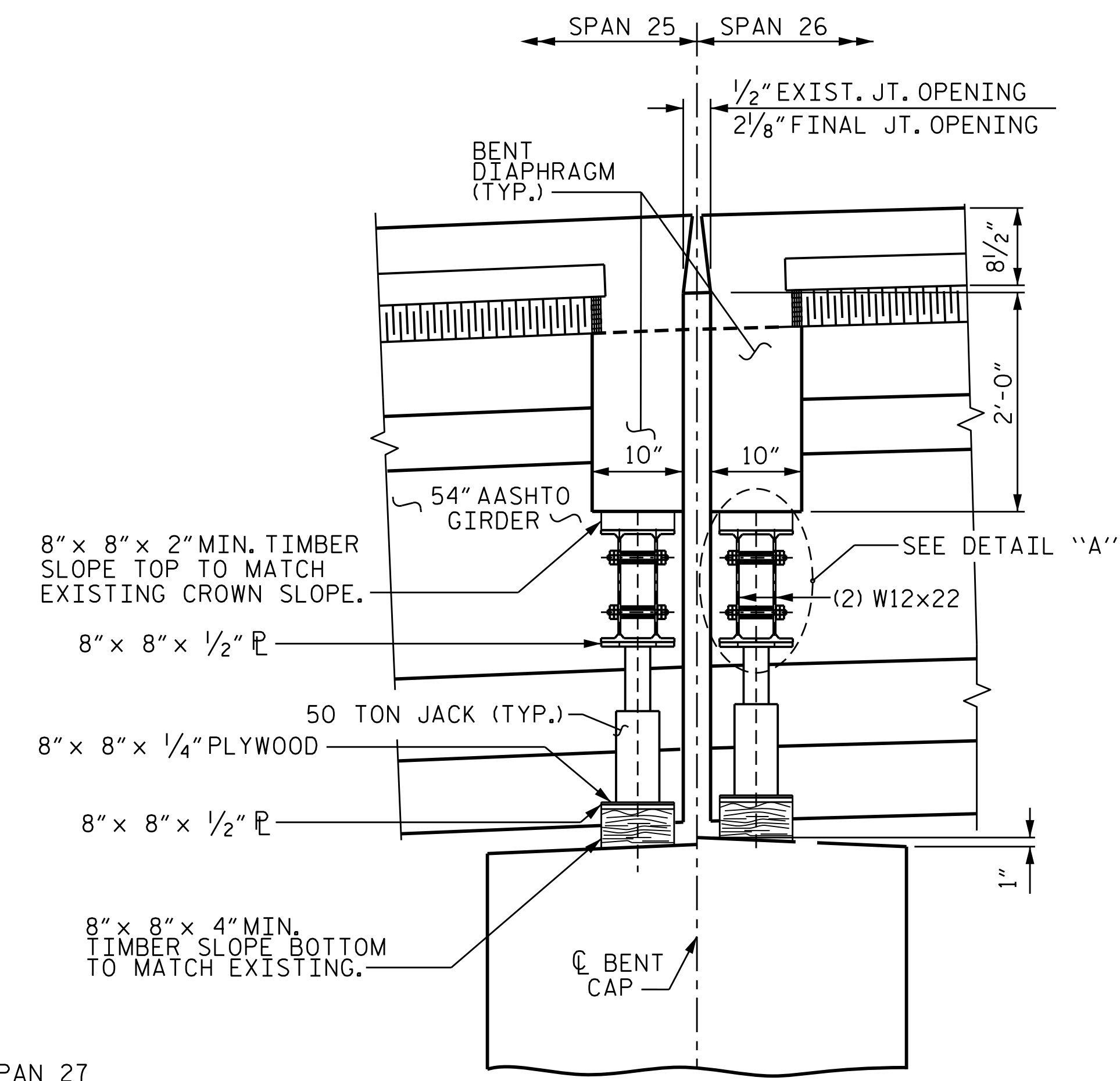
* REPLACE AFTER COMPLETION OF JACKING OPERATION

SPAN 26
PLAN VIEW BENT 25

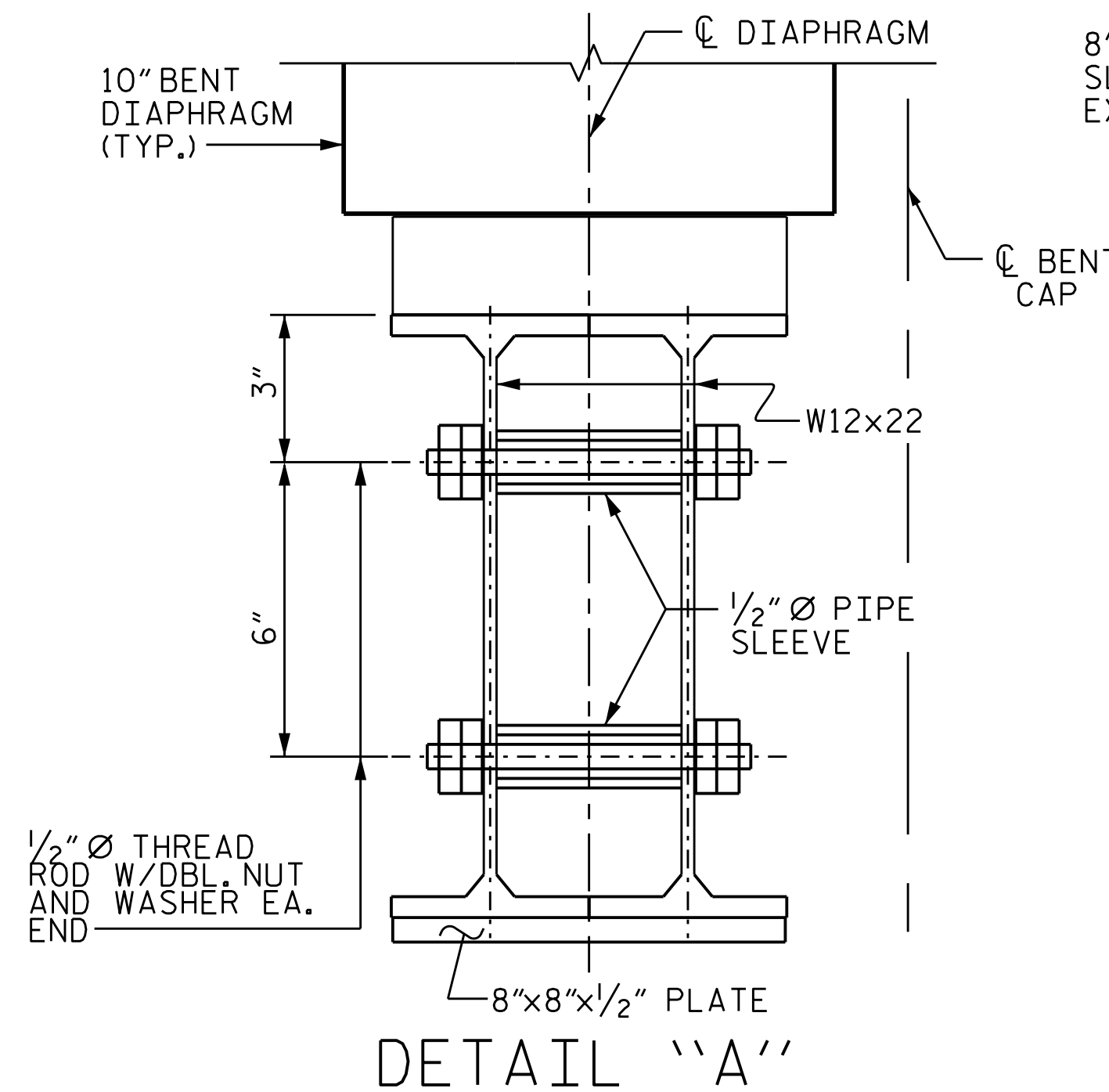


* REPLACE AFTER COMPLETION OF JACKING OPERATION

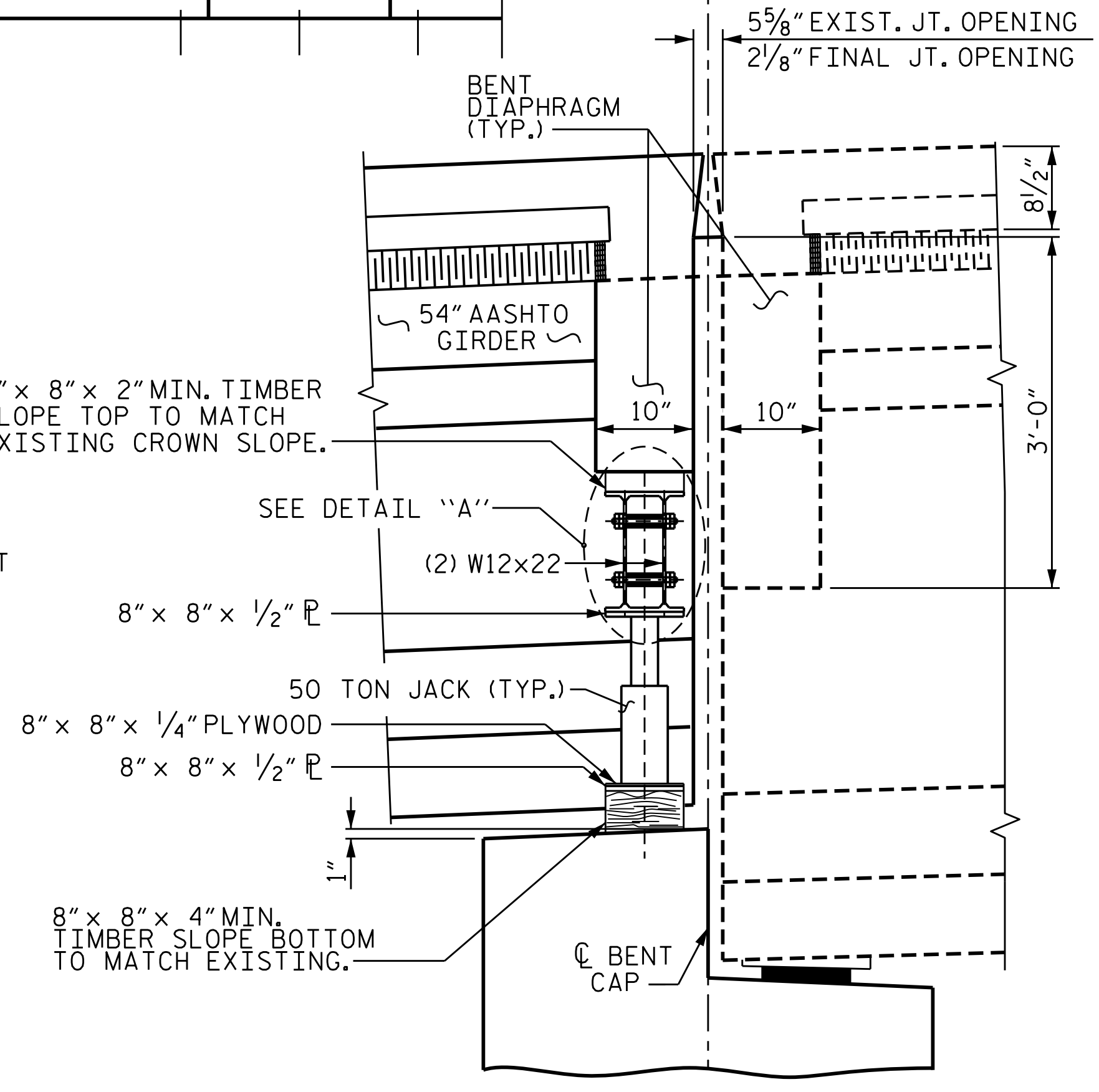
SPAN 27
PLAN VIEW BENT 26



SECTION A-A
(BENT 25)



DETAIL "A"



SECTION A-A
(BENT 26)



PROJECT NO. B-5938
COUNTY: CARTERET
BRIDGE NO. 68
SHEET 3 OF 6

STATE OF NORTH CAROLINA
DEPARTMENT OF TRANSPORTATION
RALEIGH
SPAN
RE-POSITIONING
VERTICAL JACKING
DETAILS

REVISIONS						SHEET NO.
NO.	BY	DATE	NO.	BY	DATE	S1-11
1			3			TOTAL SHEETS
2			4			-

DRAWN BY: WJ HARRIS DATE: JAN. 2017
CHECKED BY: GW DICKEY DATE: JAN. 2017

DOCUMENT NOT CONSIDERED FINAL UNLESS ALL SIGNATURES COMPLETED