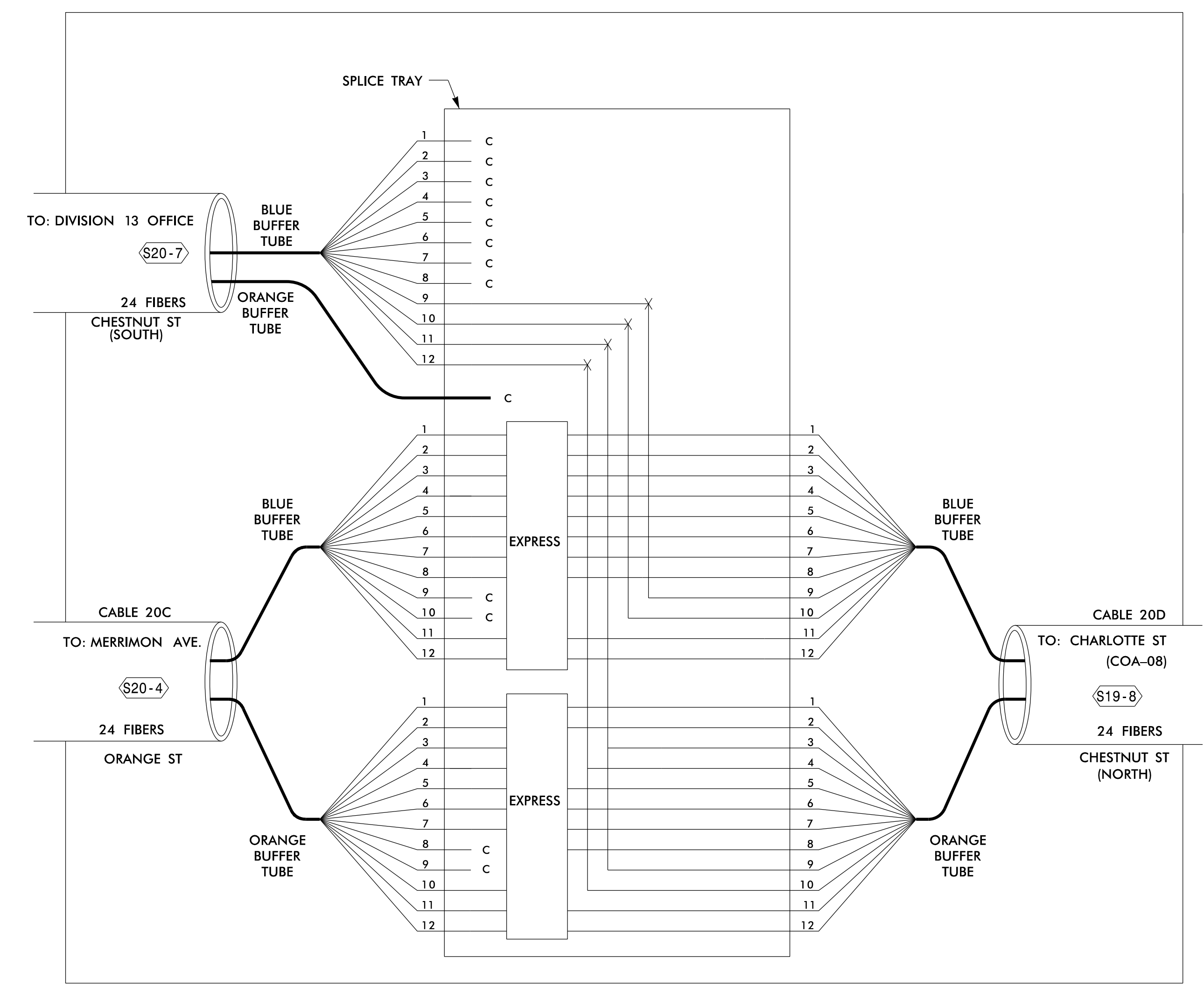


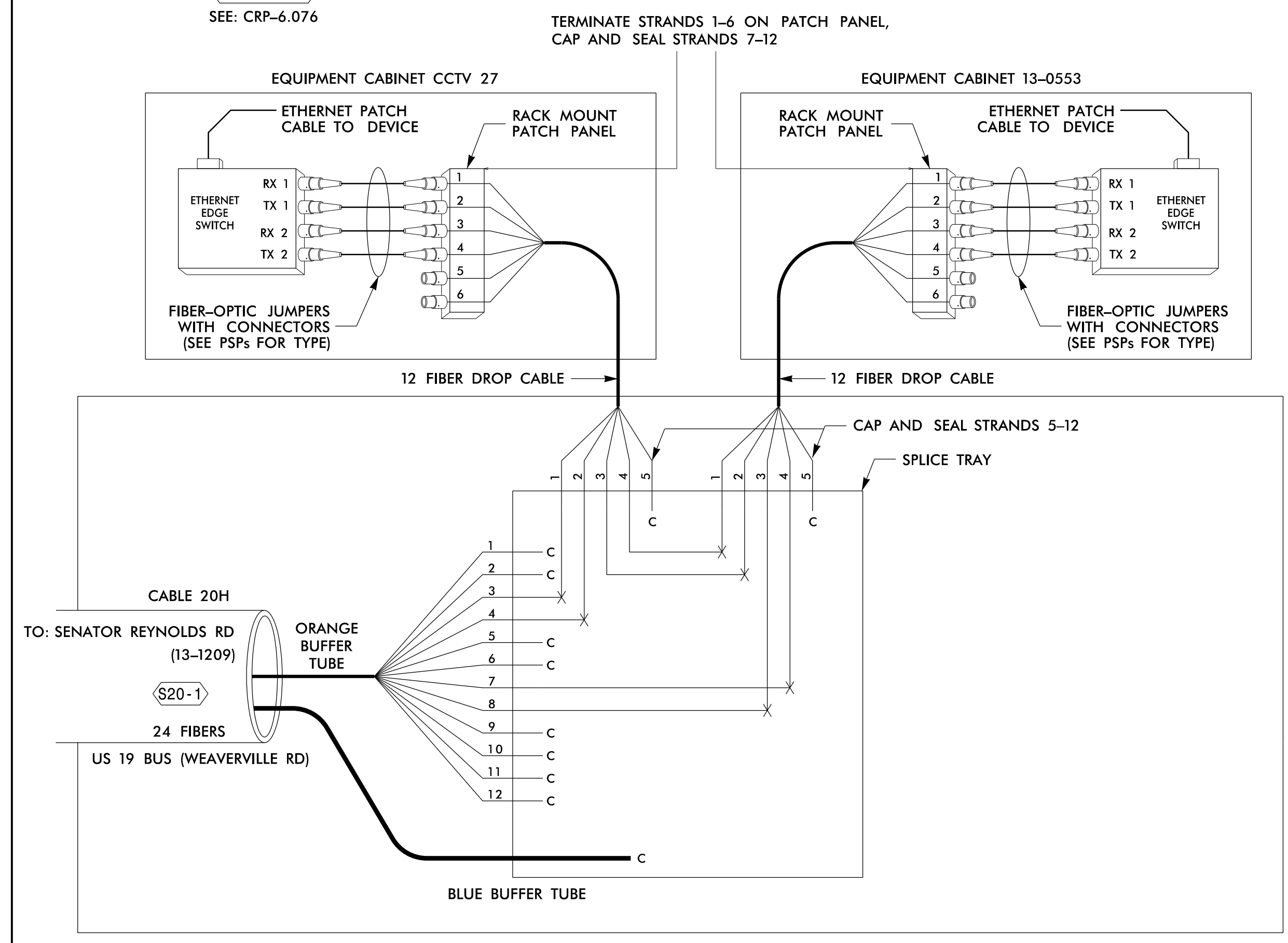
### SPLICE ENCLOSURE NO.

**S20-5**  
SEE: CRP-6.290



### SPLICE ENCLOSURE NO.

**S20-6**  
SEE: CRP-6.076



17-JAN-2017 15:07  
 D:\projects\transportation\trf\c\curr\100048632\_U-4715B\_Ashville\110\_Sig\_Sys\Task 11\_Comms\Inol\_Microstation\_Files (Renamed\_Merged)\Volume 2\271\_113\_U-4715B\_FS-4\_71.dgn  
 00107303 AT LUS355195

COLOR CODE		LEGEND	
TIA/EIA	598-B		
(1) BLUE	(7) RED	X = FUSION SPlice INDIVIDUAL FIBER	
(2) ORANGE	(8) BLACK	C = CAP AND SEAL	
(3) GREEN	(9) YELLOW	EXPRESS = EXPRESS ENTIRE BUFFER TUBE / FIBERS THROUGH WITHOUT CUTTING	
(4) BROWN	(10) VIOLET	BUFFER SPlice = SPlice ALL FIBERS IN BUFFER TUBE COLOR TO COLOR	
(5) SLATE	(11) ROSE		
(6) WHITE	(12) AQUA		

- #### NOTES
- UNUSED FIBERS LEFT COILED AND STORED IN SPlice TRAY
  - UNUSED BUFFER TUBES LEFT COILED AND STORED IN SPlice ENCLOSURE
  - EDGE SWITCH CONFIGURATIONS ARE GENERIC. CONTRACTOR IS RESPONSIBLE FOR DETERMINING/ENSURING THE PROPER TERMINATIONS.

**ATKINS** 1616 EAST MILLBROOK ROAD, SUITE 310  
 RALEIGH, NORTH CAROLINA 27609  
 (919) 876-6888 NCBEEES #F-0326

 Prepared for the Offices of: <b>NC</b> Transportation 750 Greenfield Parkway, Garner, NC 27529	Asheville Signal System Fiber-Optic Splicing Details		SEAL  SEAL 019962 HA BADGETT III ENGINEER STATE OF NORTH CAROLINA
	Division 13 Buncombe County Asheville	PLAN DATE: December 2016 REVIEWED BY: HA Badgett	
	PREPARED BY: AM Quigley REVIEWED BY: JT Brooks	REVISIONS INIT. DATE	