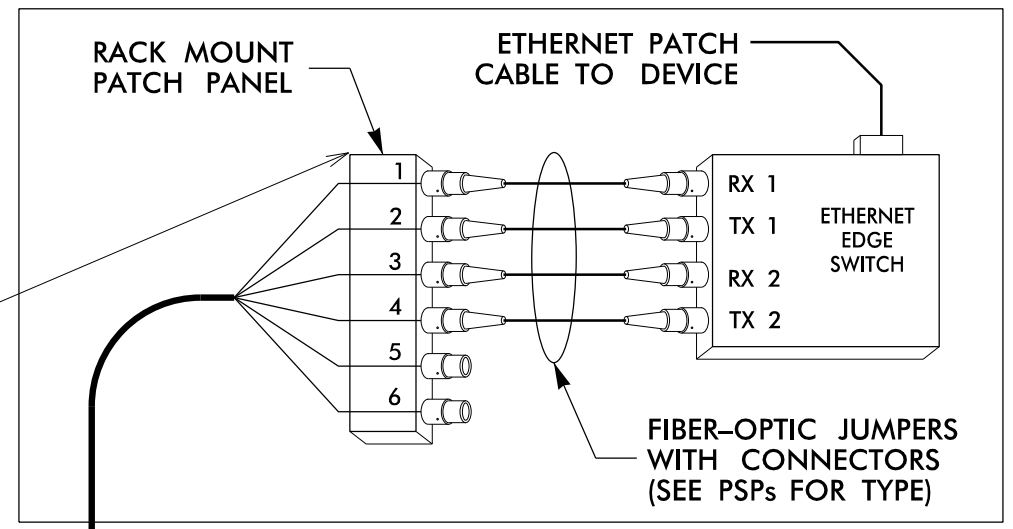


SPLICE ENCLOSURE NO.

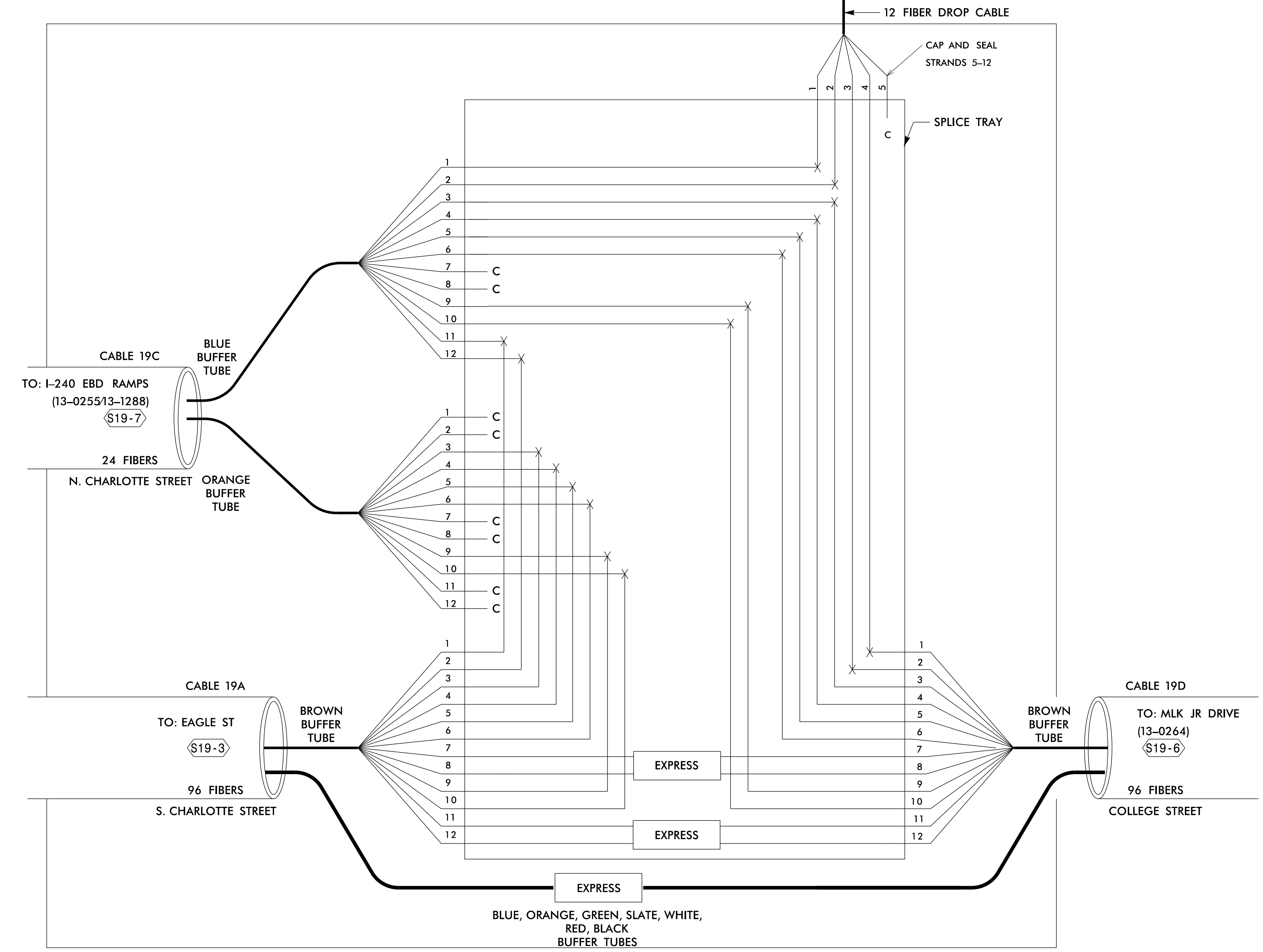
S19-5

SEE: CRP-6.286

EQUIPMENT CABINET: 13-0401



TERMINATE STRANDS 1-6 ON PATCH PANEL, CAP AND SEAL STRANDS 7-12



17-JAN-2017 15:07 D:\projects\atkins\nc\tr\offices\curr\100048632_U-4715B_Ashville\110_Sig_Sys\Task 11_Comm\Inol_Microstation_Files (Renamed_Merged)\Volume 2\271_107_U-4715B_FS-4_65.dgn

ATKINS

1616 EAST MILLBROOK ROAD, SUITE 310
RALEIGH, NORTH CAROLINA 27609
(919) 876-6888 NCBES #F-0326

DOCUMENT NOT CONSIDERED FINAL
UNLESS ALL SIGNATURES COMPLETED

 Prepared for the Offices of: Transportation 750 Greenfield Parkway, Garner, NC 27529	Asheville Signal System Fiber-Optic Splicing Details		
	Division 13 Buncombe County Asheville	PLAN DATE: December 2016 PREPARED BY: AM Quigley	
SCALE	REVISIONS	INIT.	DATE
NTS			

LEGEND

(1) BLUE	(7) RED
(2) ORANGE	(8) BLACK
(3) GREEN	(9) YELLOW
(4) BROWN	(10) VIOLET
(5) SLATE	(11) ROSE
(6) WHITE	(12) AQUA

X = FUSION SPLICE INDIVIDUAL FIBER
C = CAP AND SEAL

EXPRESS = EXPRESS ENTIRE BUFFER TUBE / FIBERS THROUGH WITHOUT CUTTING

BUFFER SPLICE = SPLICE ALL FIBERS IN BUFFER TUBE COLOR TO COLOR

- ### NOTES
- UNUSED FIBERS LEFT COILED AND STORED IN SPLICE TRAY
 - UNUSED BUFFER TUBES LEFT COILED AND STORED IN SPLICE ENCLOSURE
 - EDGE SWITCH CONFIGURATIONS ARE GENERIC. CONTRACTOR IS RESPONSIBLE FOR DETERMINING/ENSURING THE PROPER TERMINATIONS.