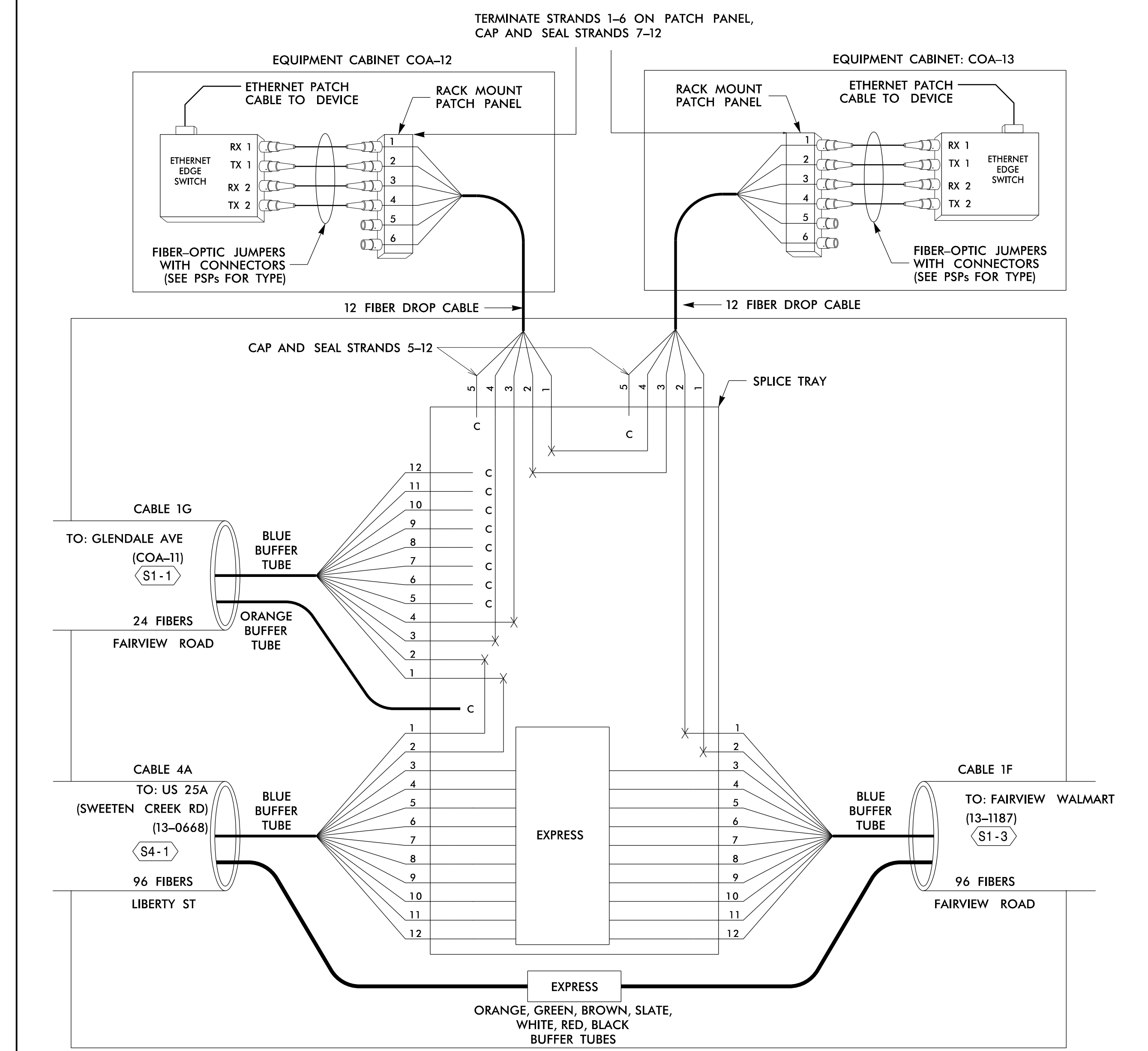


SPLICE ENCLOSURE NO.

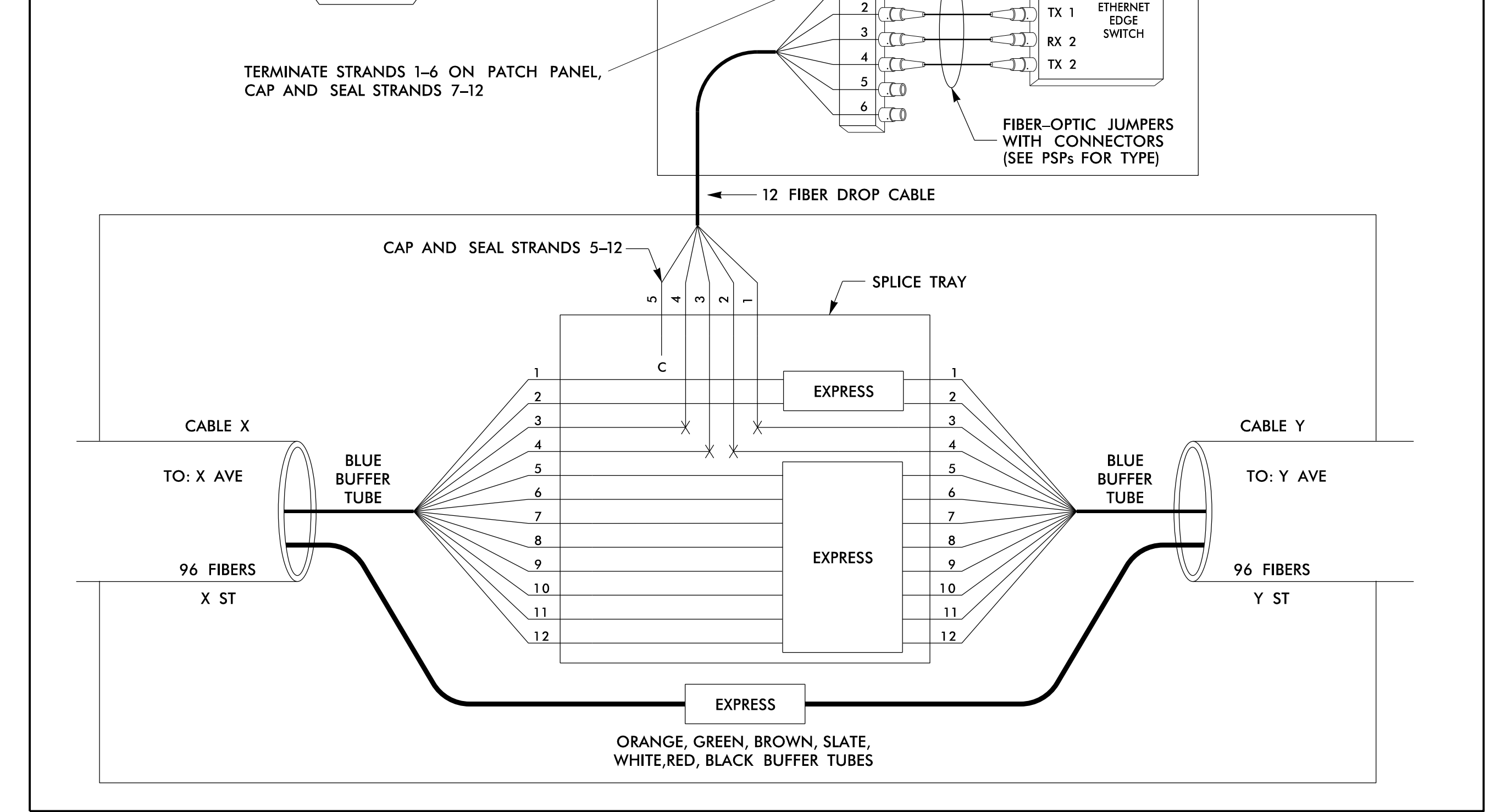
S1-6

SEE: CRP-6.216



SPLICE ENCLOSURE NO.

S2-1



SPLICE ENCLOSURE NO. S2-1

DEVICE ID	CRP SHEET	CABLE X			CABLE Y		
		CABLE NUMBER	ALONG ROUTE	TO	CABLE NUMBER	ALONG ROUTE	TO
13-0235	CRP-6.197	2B	US 70 (TUNNEL RD)	SWANNANOA RIVER RD	2B	US 70 (TUNNEL RD)	BEVERLY RD
13-0234	CRP-6.196	2B	US 70 (TUNNEL RD)	MAPLE SPRINGS RD	2B	US 70 (TUNNEL RD)	FIRE STATION 8
COA-06	CRP-6.196	2B	US 70 (TUNNEL RD)	BEVERLY RD	2B	US 70 (TUNNEL RD)	NEW HAW CREEK RD
13-0068	CRP-6.193	2B	US 70 (TUNNEL RD)	FIRE STATION 8	2B	US 70 (TUNNEL RD)	I-240 RAMPS

17-JAN-2017 15:00 D:\projects\transportation\trf\c\curr\100048632_U-4715B_Ashville\116_Sig_System\Task 11_Comms\Inoal_Microstation_Files (Renamed_Merged)\Volume 2\271_047_U-4715B_FS_4.05.dgn

LEGEND

COLOR CODE	TIA/EIA	598-B
(1) BLUE	(7) RED	
(2) ORANGE	(8) BLACK	
(3) GREEN	(9) YELLOW	
(4) BROWN	(10) VIOLET	
(5) SLATE	(11) ROSE	
(6) WHITE	(12) AQUA	

X = FUSION SPLICE INDIVIDUAL FIBER
 C = CAP AND SEAL
 EXPRESS = EXPRESS ENTIRE BUFFER TUBE / FIBERS THROUGH WITHOUT CUTTING
 BUFFER SPLICE = SPLICE ALL FIBERS IN BUFFER TUBE COLOR TO COLOR

- NOTES**
- UNUSED FIBERS LEFT COILED AND STORED IN SPLICE TRAY
 - UNUSED BUFFER TUBES LEFT COILED AND STORED IN SPLICE ENCLOSURE
 - EDGE SWITCH CONFIGURATIONS ARE GENERIC. CONTRACTOR IS RESPONSIBLE FOR DETERMINING/ENSURING THE PROPER TERMINATIONS.

ATKINS 1616 EAST MILLBROOK ROAD, SUITE 310
 RALEIGH, NORTH CAROLINA 27609
 (919) 876-6888 NCBEEES #F-0326

DOCUMENT NOT CONSIDERED FINAL UNLESS ALL SIGNATURES COMPLETED

Prepared for the Offices of:
NC Transportation
 750 Greenfield Parkway, Garner, NC 27529

Asheville Signal System
 Fiber-Optic Splicing Details

Division 13 Buncombe County Asheville

PLAN DATE: December 2016 REVIEWED BY: HA Badgett
 PREPARED BY: AM Quigley REVIEWED BY: JT Brooks

SCALE: NTS

SEAL: NORTH CAROLINA PROFESSIONAL ENGINEER SEAL 019962
 HA BADGETT
 1/17/2017