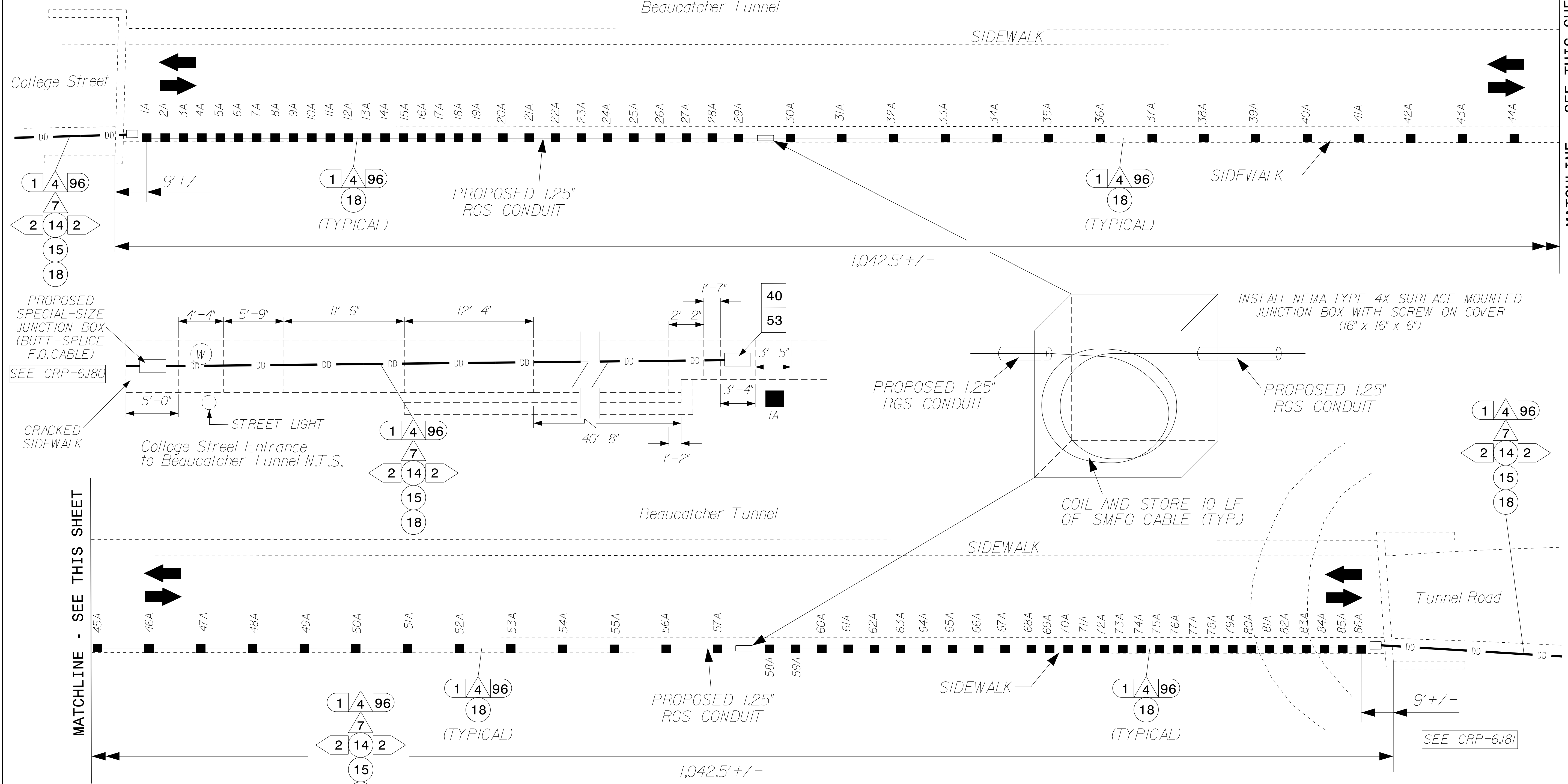


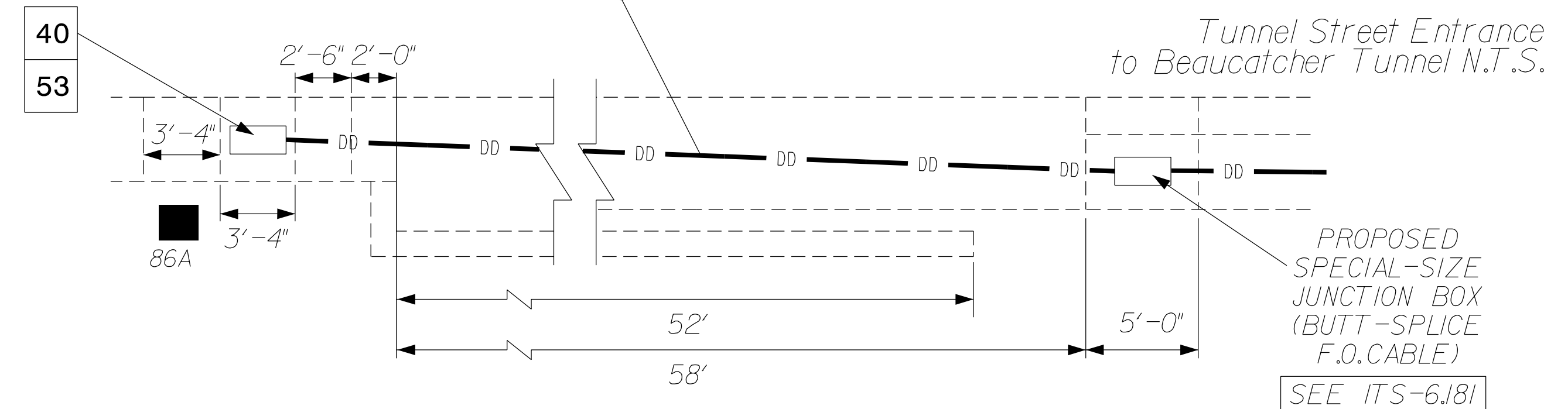
SEE ITS-6.180



MATCHLINE - SEE THIS SHEET

MATCHLINE - SEE THIS SHEET

Plan View



LEGEND

- WALL-MOUNTED JUNCTION BOX
- EXISTING LIGHT FIXTURE
- 26A EXISTING LIGHT FIXTURE NUMBER

ATKINS 1616 EAST MILLBROOK ROAD, SUITE 160
RALEIGH, NORTH CAROLINA 27609
(919) 876-6888 NCBEEES #F-0326

Prepared for the Offices of:
NC Transportation
750 Greenfield Parkway, Garner, NC 27529

Asheville Signal System
Beaucatcher Tunnel Detail
Sheet 3 of 3

Division 13 Buncombe County Asheville

PLAN DATE: December 2016 REVIEWED BY: M B Toth

PREPARED BY: J A Wiles REVIEWED BY:

REVISIONS	INIT.	DATE

Seal: NORTH CAROLINA PROFESSIONAL ENGINEER SEAL 17586 J. TODD BROOKS

12/22/2016

DATE

CADD File name: 270_059_U-4715B

21-DEC-2016 14:16 C:\Users\jwiles\Documents\Projects\270_059_U-4715B\Asheville Signal System\Task 11_Typ_SDW\Incl_Microstation Files_Renamed\Volume 1 - Part 1\270_059_U-4715B_ITS-5.29.dgn