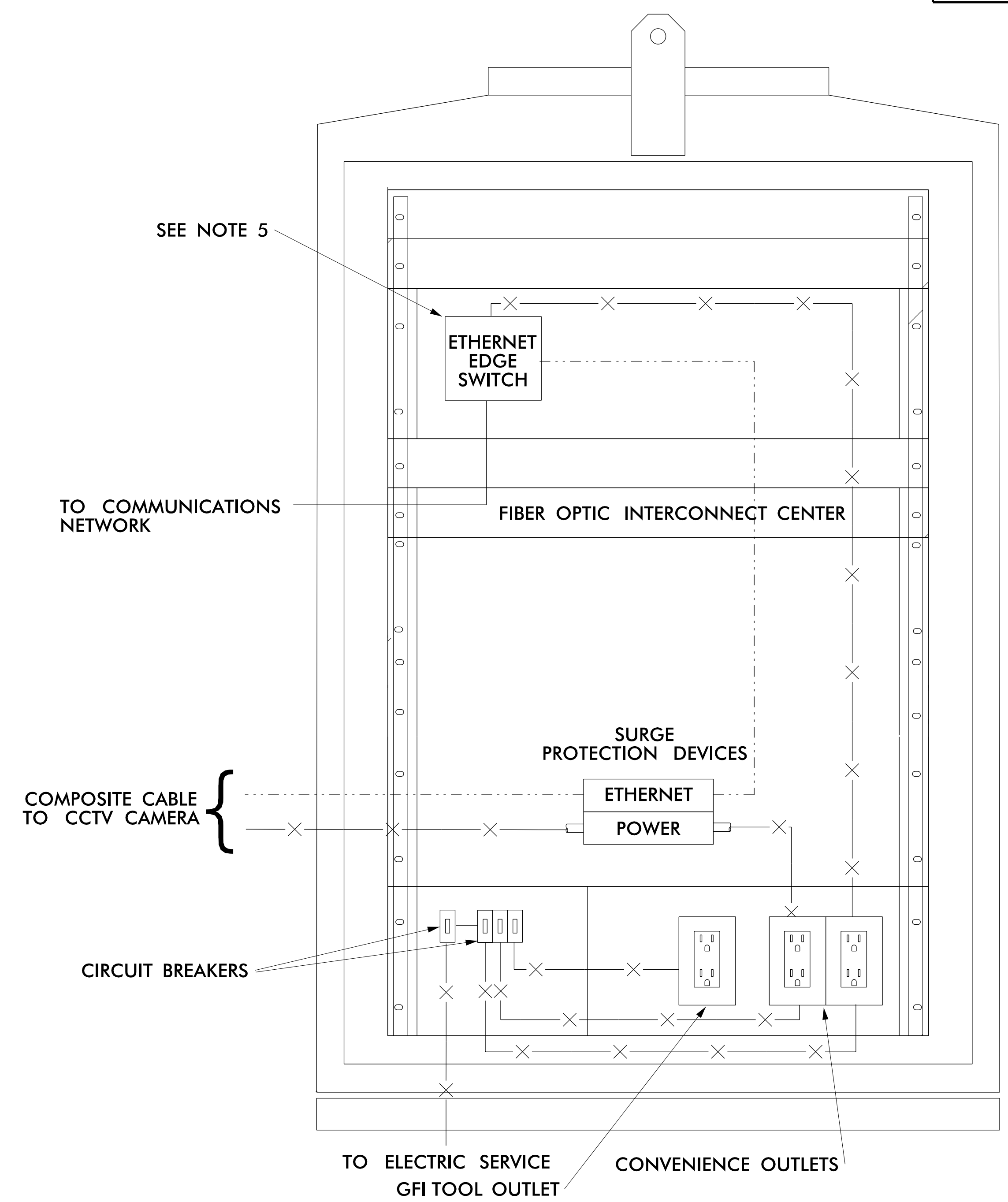
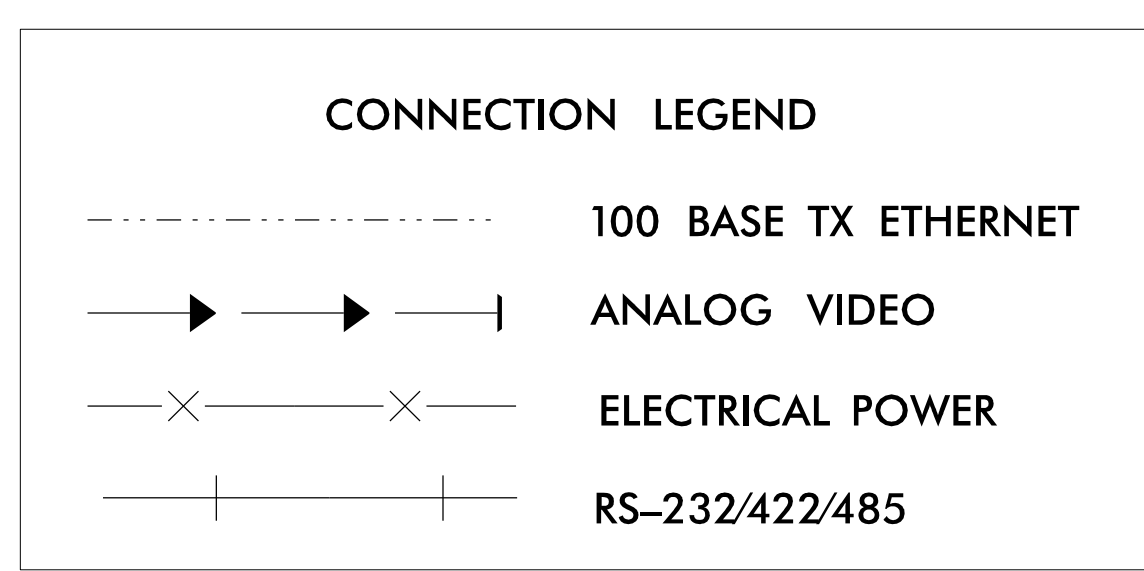


FRONT VIEW



CABINET WIRING VIEW



NOTES

- ALL DIMENSIONS AND SCALE ARE APPROXIMATE.
- CABINETS WILL BE CALTRANS TYPE 336A
- CONDUIT ENTRANCES SHALL BE IN BOTTOM OF CABINET.
- THERE WILL BE FRONT AND REAR DOORS. BOTH DOORS SHALL HAVE THE HINGE-SIDE NEXT TO THE POLE WHEN POLE MOUNTED.
- INSTALL ETHERNET EDGE SWITCH WHEN SHOWN IN PLANS.

21-DEC-2016 14:15 C:\Users\jquigley\Documents\Projects\Asheville\Asheville_Sig_System\Final_Microstation_Files_Renamed\Volume 1 - Part 1\270_032_U-4715B_ITS-5.02.dgn
 01/07/2016 AT LUC355195

1616 EAST MILLBROOK ROAD, SUITE 160
RALEIGH, NORTH CAROLINA 27609
(919) 876-6888 NCBEES #F-0326

**DOCUMENT NOT CONSIDERED FINAL
UNLESS ALL SIGNATURES COMPLETED**

 750 Greenfield Parkway, Garner, NC 27529	Prepared for the Offices of: Asheville Signal System CCTV Cabinet Assembly Layout		SEAL NORTH CAROLINA PROFESSIONAL ENGINEER HENRY ALFRED BUDGET
	Division 13 Buncombe County Asheville		SEAL 019962
SCALE N.T.S.	PLAN DATE: December 2016 PREPARED BY: A M Quigley	REVIEWED BY: M B Toth REVIEWED BY: J T Brooks	DATE 12/21/2016
REVISIONS		INIT. DATE	

CADD Filename: 270_032_U-4715B_ITS