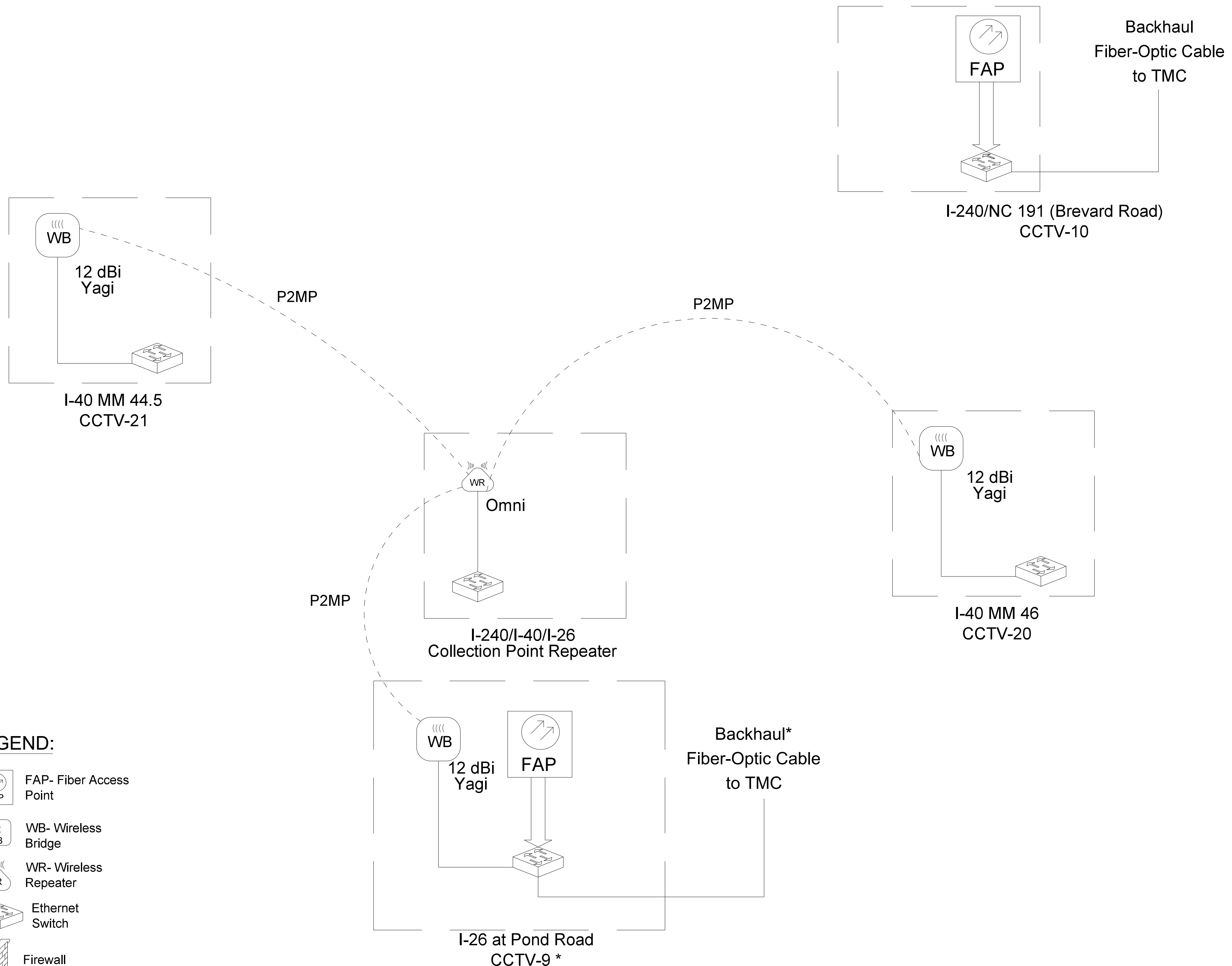

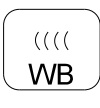

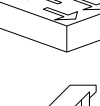
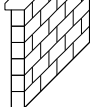
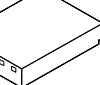


# WIRELESS COMMUNICATIONS PLAN



**LEGEND:**


-  FAP- Fiber Access Point
-  WB- Wireless Bridge
-  WR- Wireless Repeater
-  Ethernet Switch
-  Firewall
-  Cellular Modem

\* CONNECTION TO FIBER-OPTIC CABLE TO NC 191 VIA TIP PROJECT I-5504

21-DEC-2016 14:13 C:\Users\jbrooks\Documents\Projects\I-5504\Task 11\_Typ\_Sig\_Sys\Task 11\_Microstation Files\_Renamed\Volume 1 - Part 1\270\_010\_U-4715B ITS-3.06.dgn

**ATKINS** 1616 EAST MILLBROOK ROAD, SUITE 310  
RALEIGH, NORTH CAROLINA 27609  
(919) 876-6888 NCBEEES #F-0326

**DOCUMENT NOT CONSIDERED FINAL UNLESS ALL SIGNATURES COMPLETED**

<p><i>Prepared for the Offices of:</i></p> <p><b>NC</b></p> <p><b>Transportation</b></p> <p><small>750 Greenfield Parkway, Garner, NC 27529</small></p>		<p><b>Wireless Corridor Design</b></p> <p>(5 of 7)</p>		<p>SEAL</p> 	
<p>Division 13 Buncombe County Asheville</p>		<p>PLAN DATE: December 2016</p>	<p>REVIEWED BY: H A Badgett</p>	<p>DATE: 12/21/2016</p>	
<p>PREPARED BY: G B Spell</p>		<p>REVIEWED BY: J T Brooks</p>	<p>DATE:</p>		
<p>SCALE: N.T.S.</p>		<p>REVISIONS</p>	<p>INIT.</p>	<p>DATE</p>	<p>CADD Filename: 270_010_U-4715B</p>