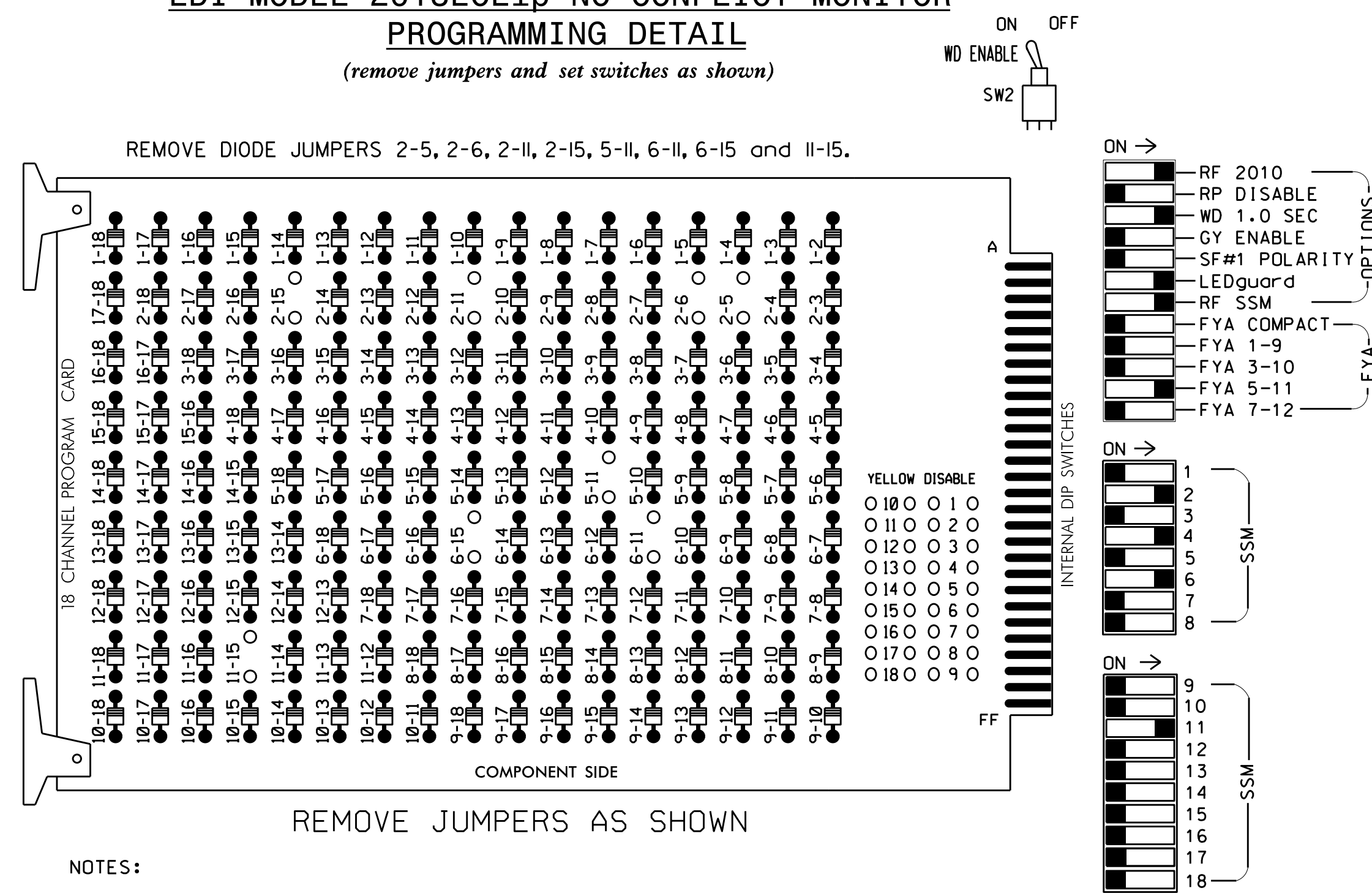


EDI MODEL 2018EClip-NC CONFLICT MONITOR PROGRAMMING DETAIL

(remove jumpers and set switches as shown)



NOTES:

1. Card is provided with all diode jumpers in place. Removal of any jumper allows its channels to run concurrently.
2. Ensure jumpers SEL2-SEL5 and SEL9 are present on the monitor board.
3. Ensure that Red Enable is active at all times during normal operation.
4. Integrate monitor with Ethernet network in cabinet.

NOTES

1. To prevent "flash-conflict" problems, insert red flash program blocks for all unused vehicle load switches in the output file. The installer shall verify that signal heads flash in accordance with the Signal Plans.
2. Enable Simultaneous Gap-Out for all phases.
3. Program phases 2 and 6 for Variable Initial and Gap Reduction.
4. Program phases 2 and 6 for Start Up In Green.
5. Program phase 6 for 'STARTUP PED CALL'.
6. Program phases 2 and 6 for Yellow Flash.
7. The cabinet and controller are part of the Asheville Signal System.

EQUIPMENT INFORMATION

CONTROLLER.....2070E
 CABINET.....332 W/ AUX
 SOFTWARE.....ECONOLITE OASIS
 CABINET MOUNT.....BASE
 OUTPUT FILE POSITIONS...18 WITH AUX. OUTPUT FILE
 LOAD SWITCHES USED.....S2,S5,S7,S8,S9,AUX S4.
 PHASES USED.....2,4,5,6,6PED.
 OVERLAP "A".....NOT USED
 OVERLAP "B".....NOT USED
 OVERLAP "C".....5+6
 OVERLAP "D".....NOT USED

SIGNAL HEAD HOOK-UP CHART

LOAD SWITCH NO.	S1	S2	S3	S4	S5	S6	S7	S8	S9	S10	S11	S12	AUX S1	AUX S2	AUX S3	AUX S4	AUX S5	AUX S6	
CMU CHANNEL NO.	1	2	13	3	4	14	5	6	15	7	8	16	9	10	17	11	12	18	
PHASE	1	2	2 PED	3	4	4 PED	5	6	6 PED	7	8	8 PED	OLA	OLB	SPARE	OLC	OLD	SPARE	
SIGNAL HEAD NO.	NU	21,22	NU	NU	41,42	NU	51	61,62	P61, P62	NU	NU	NU	NU	NU	NU	51	NU	NU	
RED		128			101			134											
YELLOW		129			102		*	135											
GREEN		130			103			136											
RED ARROW																		A114	
YELLOW ARROW																			A115
FLASHING YELLOW ARROW																			A116
GREEN ARROW								133											
Hand icon									119										
Walking person icon										121									

NU = Not Used

* Denotes install load resistor. See load resistor installation detail this sheet.

★ See pictorial of head wiring in detail below.

INPUT FILE POSITION LAYOUT

(front view)

FILE "I"	1	2	3	4	5	6	7	8	9	10	11	12	13	14
U	∅ 2	2A	∅ 2	∅ 2	∅ 4	4A	∅ 6 PED	FS	∅ 6 PED	FS	∅ 6 PED	FS	∅ 6 PED	FS
L	∅ 2	2B	∅ 2	∅ 2	∅ 4	4A	∅ 6 PED	FS	∅ 6 PED	FS	∅ 6 PED	FS	∅ 6 PED	FS
U	∅ 5	∅ 6	∅ 5	∅ 6	∅ 5	∅ 6	∅ 5	∅ 6	∅ 5	∅ 6	∅ 5	∅ 6	∅ 5	∅ 6
L	∅ 5	∅ 6	∅ 5	∅ 6	∅ 5	∅ 6	∅ 5	∅ 6	∅ 5	∅ 6	∅ 5	∅ 6	∅ 5	∅ 6

EX.: 1A, 2A, ETC. = LOOP NO.'S

FS = FLASH SENSE
 ST = STOP TIME

⊗ Wired Input - Do not populate slot with detector card

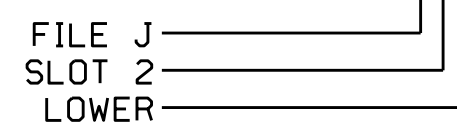
INPUT FILE CONNECTION & PROGRAMMING CHART

LOOP NO.	LOOP TERMINAL	INPUT FILE POS.	PIN NO.	INPUT ASSIGNMENT NO.	DETECTOR NO.	NEMA PHASE	CALL	EXTEND	FULL TIME DELAY	STRETCH TIME	DELAY TIME
2A	TB2-5,6	I2U	39	1	2	2	Y	Y			
2B	TB2-7,8	I2L	43	5	12	2	Y	Y			
4A	TB4-9,10	I6U	41	3	4	4	Y	Y			5
5A ¹	TB3-1,2	J1U	55	17	5	5	Y	Y			15
	-	I4U	47	9	22	2	Y	Y	Y		3
6A	TB3-5,6	J2U	40	2	6	6	Y	Y			
6B	TB3-7,8	J2L	44	6	16	6	Y	Y			
PED PUSH BUTTONS											
P61,P62	TB8-7,9	I13U	68	30	PED 6	6 PED					

NOTE:
 INSTALL DC ISOLATOR IN INPUT FILE SLOT I13.

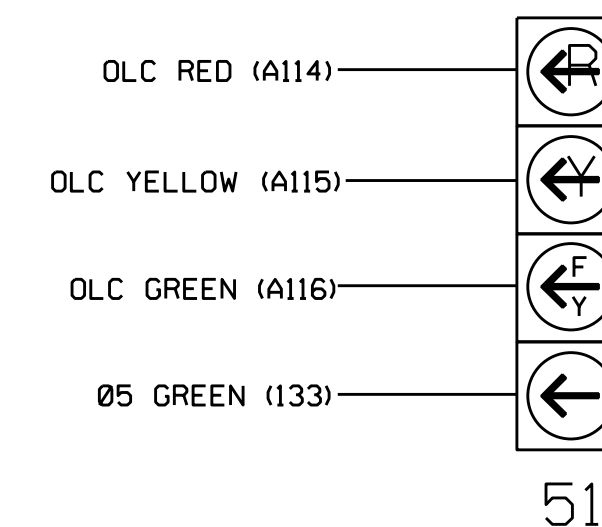
¹Add jumper from J1-W to I4-W, on rear of input file.

INPUT FILE POSITION LEGEND: J2L



4 SECTION FYA PPLT SIGNAL WIRING DETAIL

(wire signal heads as shown)



NOTE

1. The sequence display for this signal requires special logic programming. See sheet 2 of 2 for programming instructions.

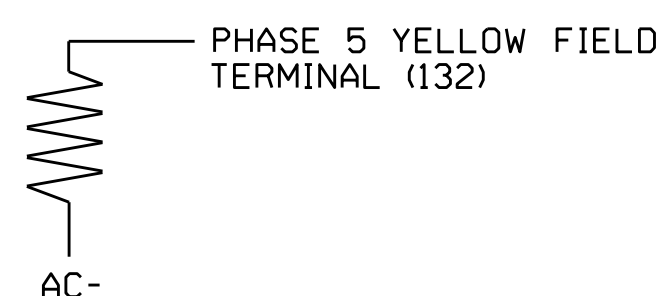
COUNTDOWN PEDESTRIAN SIGNAL OPERATION

Countdown Ped Signals are required to display timing only during Ped Clearance Interval. Consult Ped Signal Module user's manual for instructions on selecting this feature.

LOAD RESISTOR INSTALLATION DETAIL

(install resistors as shown below)

VALUE (ohms)	WATTAGE
1.5K - 1.9K	25W (min)
2.0K - 3.0K	10W (min)



THIS ELECTRICAL DETAIL IS FOR THE SIGNAL DESIGN: 14-1278
 DESIGNED: May 2016
 SEALED: 8/9/2016
 REVISED:

Electrical Detail Sheet 1 of 2

DOCUMENT NOT CONSIDERED FINAL UNLESS ALL SIGNATURES COMPLETED

ELECTRICAL AND PROGRAMMING DETAILS FOR: Prepared In the Offices of: 750 N. Greenfield Pkwy, Garner, NC 27529	US 25 (Hendersonville Road) at Mission Pardee Health Campus / Alliance Page Road		SEAL Keith M. Mims 8/18/2016
	Division 14 Henderson County Fletcher	PLAN DATE: June 2016 REVIEWED BY: K. Mims PREPARED BY: Z.M. Little REVIEWED BY:	

18-AUG-2016 13:42 S:\TCS\ASU\TCS\Sig\edi\work\hgr\cupas\Sig_Maps\I11\4-1278\4-1278-sm.ele.2016mmds.dgn zml\111.e