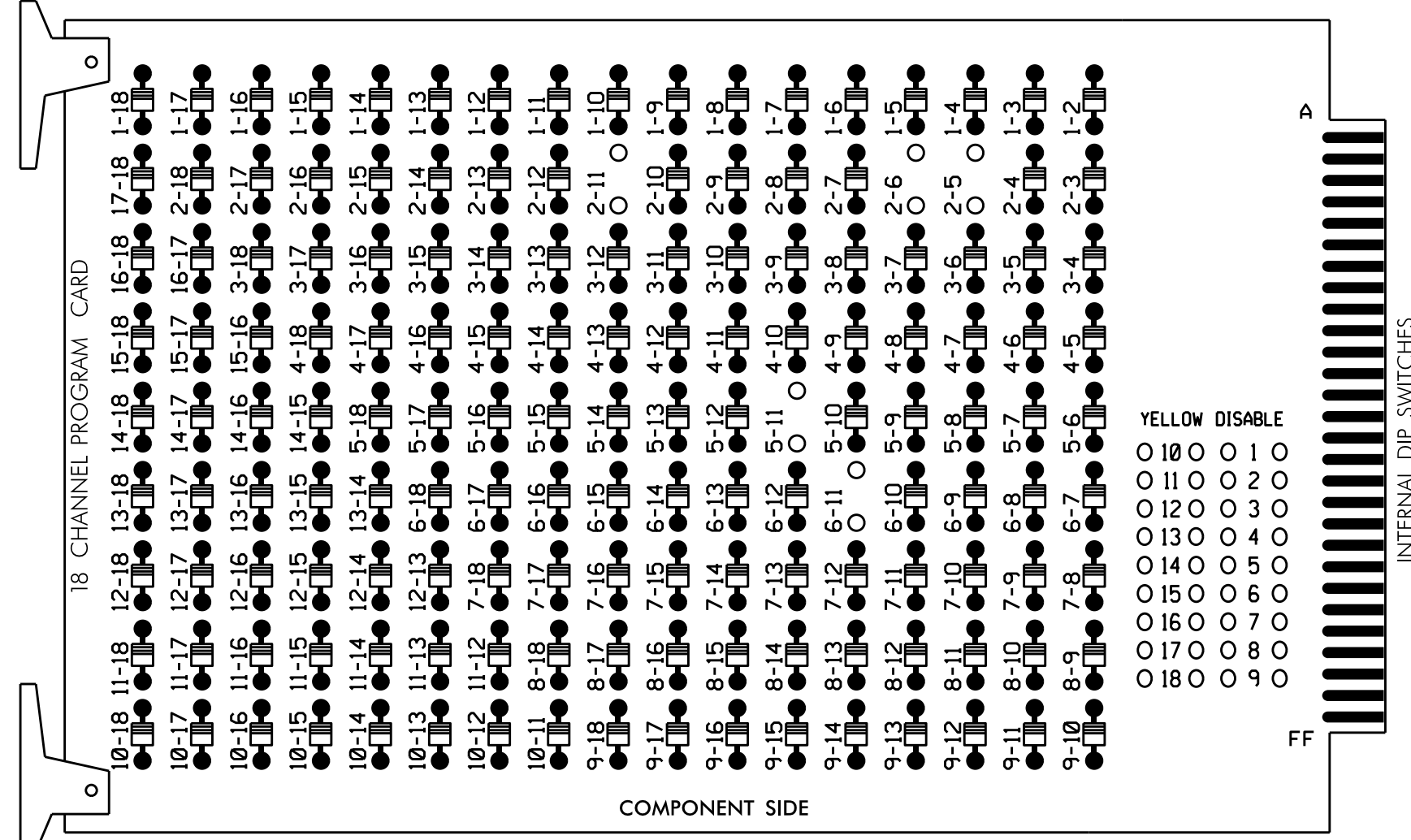


**EDI MODEL 2018EClip-NC CONFLICT MONITOR PROGRAMMING DETAIL**

(remove jumpers and set switches as shown)

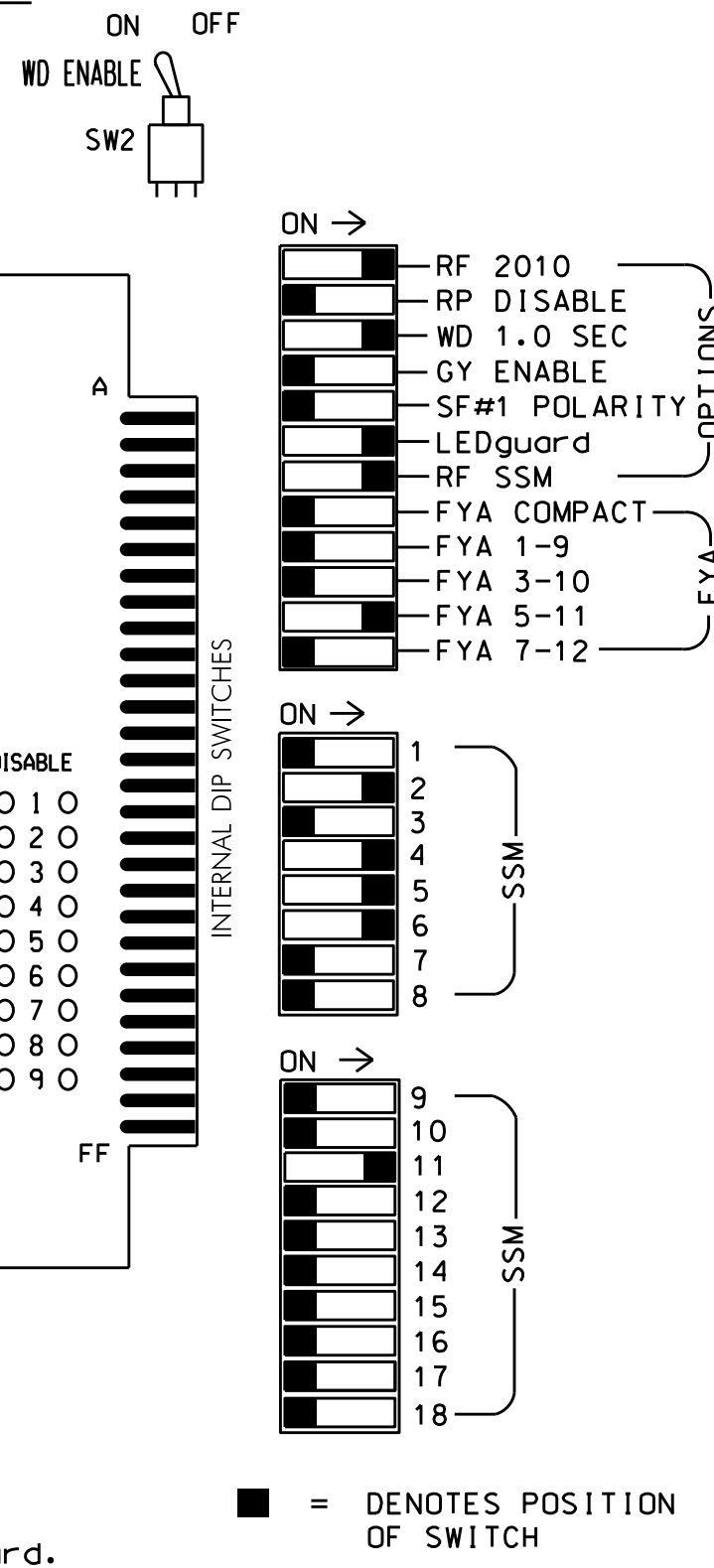
REMOVE DIODE JUMPERS 2-5, 2-6, 2-11, 5-11, and 6-11.



REMOVE JUMPERS AS SHOWN

**NOTES:**

- Card is provided with all diode jumpers in place. Removal of any jumper allows its channels to run concurrently.
- Ensure jumpers SEL2-SEL5 and SEL9 are present on the monitor board.
- Ensure that Red Enable is active at all times during normal operation.
- Integrate monitor with Ethernet network in cabinet.



■ = DENOTES POSITION OF SWITCH

**NOTES**

- To prevent "flash-conflict" problems, insert red flash program blocks for all unused vehicle load switches in the output file. The installer shall verify that signal heads flash in accordance with the Signal Plans.
- Enable Simultaneous Gap-Out for all phases.
- Program phases 2 and 6 for Variable Initial and Gap Reduction.
- Program phases 2 and 6 for Start Up In Green.
- Program phases 2 and 6 for Yellow Flash.
- The cabinet and controller are part of the Asheville Signal System.

**EQUIPMENT INFORMATION**

CONTROLLER.....2070E  
 CABINET.....332 W/ AUX  
 SOFTWARE.....ECONOLITE OASIS  
 CABINET MOUNT.....BASE  
 OUTPUT FILE POSITIONS...18 WITH AUX. OUTPUT FILE  
 LOAD SWITCHES USED.....S2,S5,S7,S8,AUX S4  
 PHASES USED.....2,4,5,6  
 OVERLAP "A".....NOT USED  
 OVERLAP "B".....NOT USED  
 OVERLAP "C".....5+6  
 OVERLAP "D".....NOT USED

**SIGNAL HEAD HOOK-UP CHART**

LOAD SWITCH NO.	S1	S2	S3	S4	S5	S6	S7	S8	S9	S10	S11	S12	AUX S1	AUX S2	AUX S3	AUX S4	AUX S5	AUX S6	
CMU CHANNEL NO.	1	2	13	3	4	14	5	6	15	7	8	16	9	10	17	11	12	18	
PHASE	1	2	2 PED	3	4	4 PED	5	6	6 PED	7	8	8 PED	OLA	OLB	SPARE	OLC	OLD	SPARE	
SIGNAL HEAD NO.	NU	21,22,23	NU	NU	41,42	62	NU	42	51	61,62	NU	NU	NU	NU	NU	51	NU	NU	
RED		128			101		*			134									
YELLOW		129			102					135									
GREEN		130			103					136									
RED ARROW																		A114	
YELLOW ARROW						102	132												A115
FLASHING YELLOW ARROW																			A116
GREEN ARROW							103	133	133										

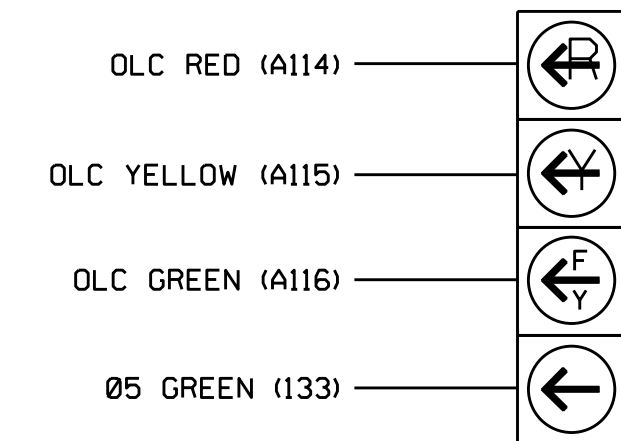
NU = Not Used

\* Denotes install load resistor. See load resistor installation detail this sheet.

\* See pictorial of head wiring in detail below.

**FYA SIGNAL WIRING DETAIL**

(wire signal head as shown)



51

**NOTE**

The sequence display for signal head 51 requires special logic programming. See sheet 2 for programming instructions.

**INPUT FILE POSITION LAYOUT**

(front view)

FILE "I"	1	2	3	4	5	6	7	8	9	10	11	12	13	14
U	∅ 2	∅ 2	∅ 3	∅ 4	∅ 5	∅ 6	∅ 7	∅ 8	∅ 9	∅ 10	∅ 11	∅ 12	∅ 13	∅ 14
L	2A	2B		4A										
U	∅ 5	∅ 6	∅ 7	∅ 8	∅ 9	∅ 10	∅ 11	∅ 12	∅ 13	∅ 14	∅ 15	∅ 16	∅ 17	∅ 18
L	5A	6A												
U	∅ 5	∅ 6	∅ 7	∅ 8	∅ 9	∅ 10	∅ 11	∅ 12	∅ 13	∅ 14	∅ 15	∅ 16	∅ 17	∅ 18
L	5B	6B												

EX.: 1A, 2A, ETC. = LOOP NO.'S

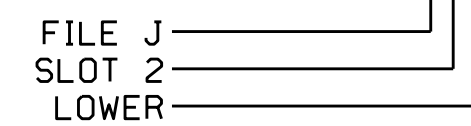
FS = FLASH SENSE  
 ST = STOP TIME

**INPUT FILE CONNECTION & PROGRAMMING CHART**

LOOP NO.	LOOP TERMINAL	INPUT FILE POS.	PIN NO.	INPUT ASSIGNMENT NO.	DETECTOR NO.	NEMA PHASE	CALL	EXTEND	FULL TIME DELAY	STRETCH TIME	DELAY TIME
2A	TB2-5,6	I2U	39	1	2	2	Y	Y			
2B	TB2-7,8	I2L	43	5	12	2	Y	Y			
4A	TB4-9,10	I6U	41	3	4	4	Y	Y			3
5A	TB3-5,6	J2U	40	2	6	5	Y	Y			10
5B	TB3-7,8	J2L	44	6	16	5	Y	Y			15
6A	TB3-9,10	J3U	64	26	36	6	Y	Y			
6B	TB3-11,12	J3L	77	39	46	6	Y	Y			
* S1	TB6-9,10	I9U	60	22	11	SYS					
* S2	TB6-11,12	I9L	62	24	13	SYS					

\* System detector only. Remove the vehicle phase assigned to this detector in the default programming.

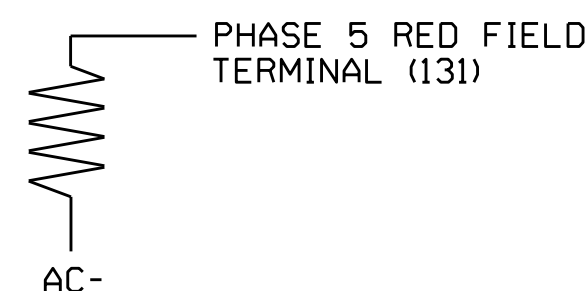
**INPUT FILE POSITION LEGEND: J2L**



**LOAD RESISTOR INSTALLATION DETAIL**

(install resistor as shown below)

VALUE (ohms)	WATTAGE
1.5K - 1.9K	25W (min)
2.0K - 3.0K	10W (min)



Prepared In the Offices of:  
 TRANSPORTATION MOBILITY AND SAFETY ADMINISTRATION  
 NORTH CAROLINA DIVISION OF TRANSPORTATION  
 Signal Management Section  
 750 N. Greenfield Pkwy, Garner, NC 27529

US 25 (Asheville Hwy) at SR 1417 (Rugby Drive)

Division 14 Henderson County Hendersonville  
 PLAN DATE: May 2016 REVIEWED BY: BAS  
 PREPARED BY: S. Armstrong REVIEWED BY:

REVISIONS INIT. DATE

DocuSigned by:  
 Keith M. Mims 8/17/2016  
 2F8078E8CDD3446 DATE

SIG. INVENTORY NO. 14-0852

09-AUG-2016 15:14 S:\MITSAS\15\Sigmod\work\hgr\cdas\g\_Mon\Arms\strong\440852\_sm.ele.xxx.dgn sarmsstrong