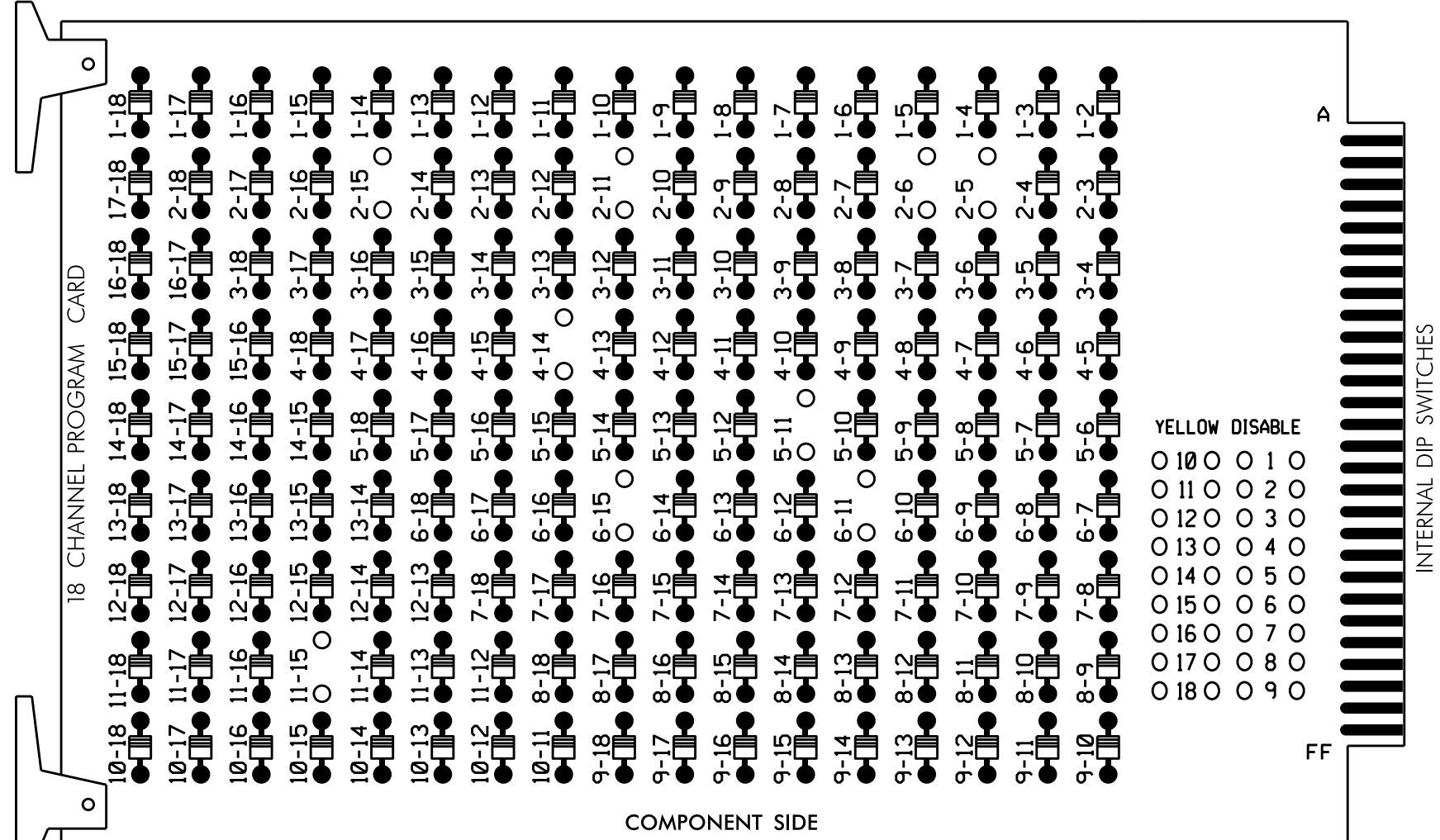


**EDI MODEL 2018ECLIP-NC CONFLICT MONITOR
PROGRAMMING DETAIL**

(remove jumpers and set switches as shown)

REMOVE DIODE JUMPERS 2-5, 2-6, 2-11, 2-15, 4-14, 5-11, 6-11, 6-15 and 11-15.



REMOVE JUMPERS AS SHOWN

NOTES:

1. Card is provided with all diode jumpers in place. Removal of any jumper allows its channels to run concurrently.
2. Ensure jumpers SEL2-SEL5 and SEL9 are present on the monitor board.
3. Ensure that Red Enable is active at all times during normal operation.
4. Integrate monitor with Ethernet network in cabinet.

■ = DENOTES POSITION OF SWITCH

NOTES

1. To prevent "flash-conflict" problems, insert red flash program blocks for all unused vehicle load switches in the output file. The installer shall verify that signal heads flash in accordance with the Signal Plans.
2. Enable Simultaneous Gap-Out for all phases.
3. Program phases 2 and 6 for Start Up In Green.
4. Program phases 4 and 6 for 'STARTUP PED CALL'.
5. Program phases 2 and 6 for Yellow Flash.
6. The cabinet and controller are part of the Asheville Signal System.

EQUIPMENT INFORMATION

CONTROLLER.....2070E
 CABINET.....332 W/ AUX
 SOFTWARE.....ECONOLITE OASIS
 CABINET MOUNT.....BASE
 OUTPUT FILE POSITIONS...18 WITH AUX. OUTPUT FILE
 LOAD SWITCHES USED.....S2,S5,S6,S7,S8,S9,AUX S4
 PHASES USED.....2,4,5,6
 OVERLAP "A".....NOT USED
 OVERLAP "B".....NOT USED
 OVERLAP "C".....5+6
 OVERLAP "D".....NOT USED

SIGNAL HEAD HOOK-UP CHART

LOAD SWITCH NO.	S1	S2	S3	S4	S5	S6	S7	S8	S9	S10	S11	S12	AUX S1	AUX S2	AUX S3	AUX S4	AUX S5	AUX S6
CMU CHANNEL NO.	1	2	13	3	4	14	5	6	15	7	8	16	9	10	17	11	12	18
PHASE	1	2	2 PED	3	4	4 PED	5	6	6 PED	7	8	8 PED	OLA	OLB	SPARE	OLC	OLD	SPARE
SIGNAL HEAD NO.	NU	21,22	NU	NU	41,42	P41, P42	42	51	61,62	P61, P62	NU	NU	NU	NU	NU	51	NU	NU
RED		128			101		*		134									
YELLOW		129			102				135									
GREEN		130			103				136									
RED ARROW																		A114
YELLOW ARROW							132											A115
FLASHING YELLOW ARROW																		A116
GREEN ARROW							133	133										
Hand							104		119									
Walker							106		121									

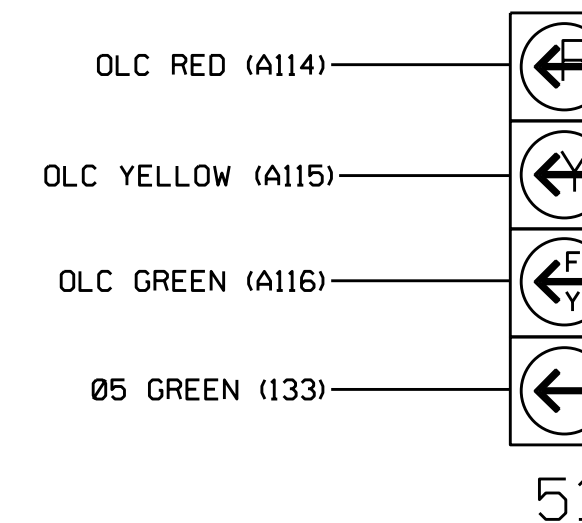
NU = Not Used

* Denotes install load resistor. See load resistor installation detail this sheet.

★ See pictorial of head wiring in detail below.

4 SECTION FYA PPLT SIGNAL WIRING DETAIL

(wire signal head as shown)



NOTE

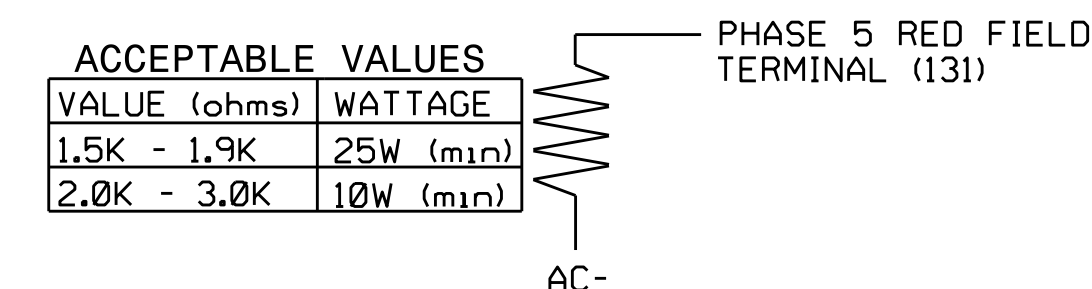
1. The sequence display for this signal requires special logic programming. See sheet 2 of 2 for programming instructions.

COUNTDOWN PEDESTRIAN SIGNAL OPERATION

Countdown Ped Signals are required to display timing only during Ped Clearance Interval. Consult Ped Signal Module user's manual for instructions on selecting this feature.

LOAD RESISTOR INSTALLATION DETAIL

(install resistor as shown below)



INPUT FILE POSITION LAYOUT

(front view)

	1	2	3	4	5	6	7	8	9	10	11	12	13	14
FILE "I"	S	∅ 2	∅ S	∅ S	∅ S	∅ 4	∅ S	∅ S	∅ S	∅ S	∅ S	∅ S	∅ 6 PED DC ISOLATOR	FS DC ISOLATOR
FILE "L"	∅ 2	∅ 2	∅ S	∅ S	∅ S	∅ 4	∅ S	∅ S	∅ S	∅ S	∅ S	∅ S	∅ 4 PED DC ISOLATOR	ST DC ISOLATOR
FILE "U"	∅ 5	∅ 5	∅ 6	∅ S	∅ S	∅ S	∅ S	∅ S	∅ S	∅ S	∅ S	∅ S	∅ S	∅ S
FILE "J"	NOT USED	NOT USED	∅ 6	∅ S	∅ S	∅ S	∅ S	∅ S	∅ S	∅ S	∅ S	∅ S	∅ S	∅ S

EX.: 1A, 2A, ETC. = LOOP NO.'S

FS = FLASH SENSE
 ST = STOP TIME

⊗ Wired Input - Do not populate slot with detector card

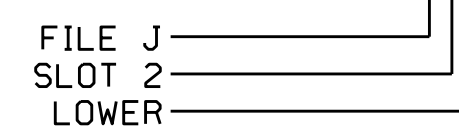
INPUT FILE CONNECTION & PROGRAMMING CHART

LOOP NO.	LOOP TERMINAL	INPUT FILE POS.	PIN NO.	INPUT ASSIGNMENT NO.	DETECTOR NO.	NEMA PHASE	CALL	EXTEND	FULL TIME DELAY	STRETCH TIME	DELAY TIME
2A	TB2-5,6	I2U	39	1	2	2	Y	Y			
2B	TB2-7,8	I2L	43	5	12	2	Y	Y			
4A	TB4-9,10	I6U	41	3	4	4	Y	Y			
4B	TB4-11,12	I6L	45	7	14	4	Y	Y			
5A ¹	TB3-1,2	J1U	55	17	5	5	Y	Y			15
		I4U	47	9	22	2	Y	Y			
5B	TB3-5,6	J2U	40	2	6	5	Y	Y			15
6A	TB3-9,10	J3U	64	26	36	6	Y	Y			
6B	TB3-11,12	J3L	77	39	46	6	Y	Y			
PED PUSH BUTTONS											
P41,P42	TB8-5,6	I12L	69	31	PED 4	4 PED					
P61,P62	TB8-7,9	I13U	68	30	PED 6	6 PED					

NOTE:
 INSTALL DC ISOLATORS IN INPUT FILE SLOTS 112 AND 113.

¹Add jumper from J1-W to I4-W, on rear of input file.

INPUT FILE POSITION LEGEND: J2L



THIS ELECTRICAL DETAIL IS FOR THE SIGNAL DESIGN: 13-1231
 DESIGNED: July 2016
 SEALED: 10/28/2016
 REVISED:

Electrical Detail - Sheet 1 of 2

DOCUMENT NOT CONSIDERED FINAL UNLESS ALL SIGNATURES COMPLETED

Prepared In the Offices of:

 750 N. Greenfield Pkwy, Garner, NC 27529

US 25 (McDowell St.) at Hospital Drive

Division 13 Buncombe County Asheville
 PLAN DATE: September 2016 REVIEWED BY: T. Joyce
 PREPARED BY: C. Strickland REVIEWED BY:

SEAL
 NORTH CAROLINA PROFESSIONAL ENGINEER
 SEAL 030530
 ZACHARY M. LITTLE

DocuSigned by:

 11/2/2016
 DATE

SIG. INVENTORY NO. 13-1231