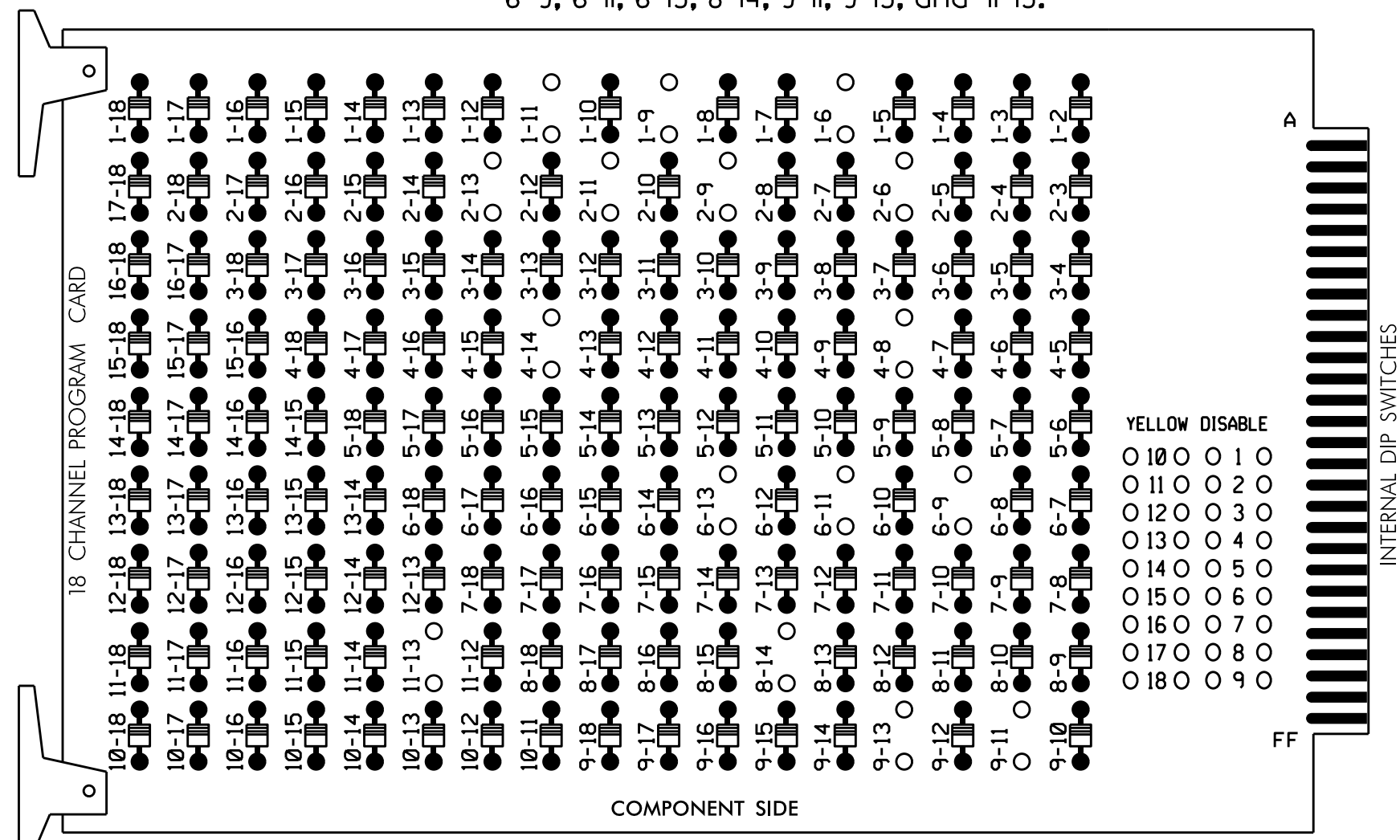


EDI MODEL 2018ECLIP-NC CONFLICT MONITOR

PROGRAMMING DETAIL

(remove jumpers and set switches as shown)

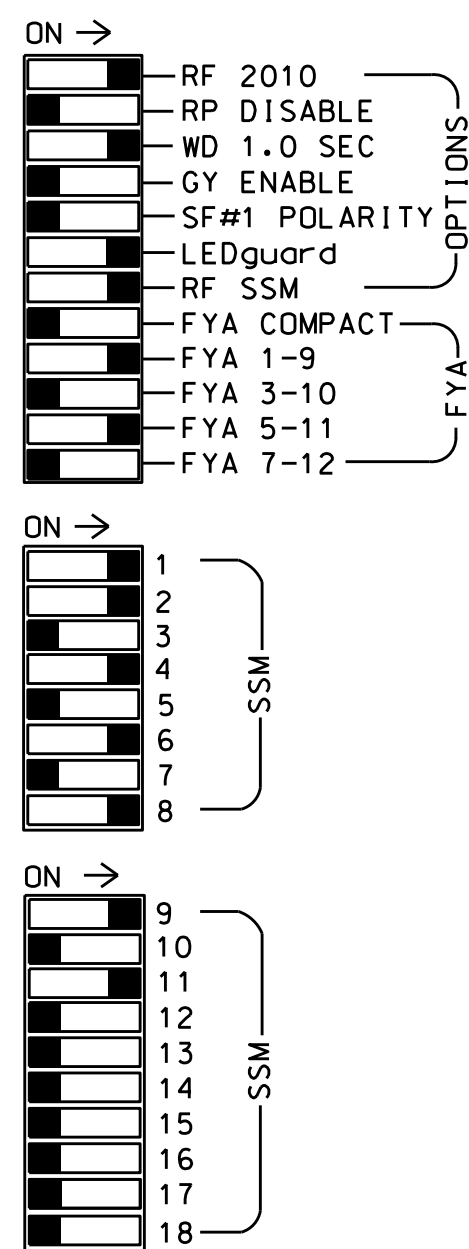
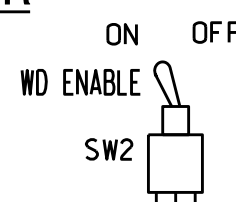
REMOVE DIODE JUMPERS 1-6, 1-9, 1-11, 2-6, 2-9, 2-11, 2-13, 4-8, 4-14, 6-9, 6-11, 6-13, 8-14, 9-11, 9-13, and 11-13.



REMOVE JUMPERS AS SHOWN

NOTES:

- Card is provided with all diode jumpers in place. Removal of any jumper allows its channels to run concurrently.
- Ensure jumpers SEL2-SEL5 and SEL9 are present on the monitor board.
- Ensure that Red Enable is active at all times during normal operation.
- Integrate monitor with Ethernet network in cabinet.



■ = DENOTES POSITION OF SWITCH

NOTES

- To prevent "flash-conflict" problems, insert red flash program blocks for all unused vehicle load switches in the output file. The installer shall verify that signal heads flash in accordance with the Signal Plans.
- Program phases 4 and 8 for Dual Entry.
- Enable Simultaneous Gap-Out for all phases.
- Program phases 2 and 6 for Variable Initial and Gap Reduction.
- Program phases 2 and 6 for Start Up In Green.
- Program phases 2 and 4 for 'STARTUP PED CALL'.
- Program phases 2 and 6 for Yellow Flash, and overlap 1 as Wag Overlaps.
- The cabinet and controller are part of the Asheville Signal System.

EQUIPMENT INFORMATION

CONTROLLER.....2070E
 CABINET.....332 W/ AUX
 SOFTWARE.....ECONOLITE OASIS
 CABINET MOUNT.....BASE
 OUTPUT FILE POSITIONS...18 WITH AUX. OUTPUT FILE
 LOAD SWITCHES USED.....S1,S2,S3,S5,S6,S8,S11,
 AUX S1,AUX S4
 PHASES USED.....1,2,2PED,4,4PED,6,8
 OVERLAP "A".....1+2
 OVERLAP "B".....NOT USED
 OVERLAP "C".....6
 OVERLAP "D".....NOT USED

PROJECT REFERENCE NO.	SHEET NO.
U-4715B	Sig. 177.1

SIGNAL HEAD HOOK-UP CHART

LOAD SWITCH NO.	S1	S2	S3	S4	S5	S6	S7	S8	S9	S10	S11	S12	AUX S1	AUX S2	AUX S3	AUX S4	AUX S5	AUX S6
CMU CHANNEL NO.	1	2	13	3	4	14	5	6	15	7	8	16	9	10	17	11	12	18
PHASE	1	2	2 PED	3	4	4 PED	5	6	6 PED	7	8	8 PED	OLA	OLB	SPARE	OLC	OLD	SPARE
SIGNAL HEAD NO.	11	82	22,23	P21, P22	NU	41,42	P41, P42	NU	61,62	NU	NU	81,82	NU	11	NU	21	NU	NU
RED	*	128			101			134			107							
YELLOW		129			102			135			108							
GREEN		130			103			136			109							
RED ARROW													A121				A114	
YELLOW ARROW	126												A122				A115	
FLASHING YELLOW ARROW													A123				A116	
GREEN ARROW	127	127																
Hand icon				113				104										
Walking person icon				115				106										

NU = Not Used

* Denotes install load resistor. See load resistor installation detail this sheet.

★ See pictorial of head wiring in detail below.

INPUT FILE POSITION LAYOUT

(front view)

FILE	U	1	2	3	4	5	6	7	8	9	10	11	12	13	14
"I"	U	∅ 1	∅ 2	∅ 3	∅ 4	∅ 5	∅ 6	∅ 7	∅ 8	∅ 9	∅ 10	∅ 11	∅ 12 PED	∅ 13	FS
		1A	2A	3A	4A	5A	6A	7A	8A	9A	10A	11A	DC ISOLATOR	∅ 14 PED	DC ISOLATOR
"J"	U	∅ 1	∅ 2	∅ 3	∅ 4	∅ 5	∅ 6	∅ 7	∅ 8	∅ 9	∅ 10	∅ 11	∅ 12	∅ 13	∅ 14
		1B	2B	3B	4B	5B	6B	7B	8B	9B	10B	11B	DC ISOLATOR	∅ 15	DC ISOLATOR

EX.: 1A, 2A, ETC. = LOOP NO.'S

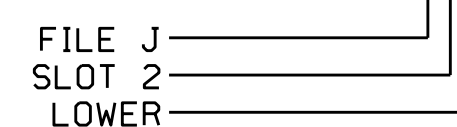
FS = FLASH SENSE
 ST = STOP TIME

INPUT FILE CONNECTION & PROGRAMMING CHART

LOOP NO.	LOOP TERMINAL	INPUT FILE POS.	PIN NO.	INPUT ASSIGNMENT NO.	DETECTOR NO.	NEMA PHASE	CALL	EXTEND	FULL TIME DELAY	STRETCH TIME	DELAY TIME
1A	TB2-5,6	I2U	39	1	2	1	Y	Y			5
1B	TB2-7,8	I2L	43	5	12	1	Y	Y			15
2A	TB2-9,10	I3U	63	25	32	2	Y	Y			
2B	TB2-11,12	I3L	76	38	42	2	Y	Y			
4A	TB4-9,10	I6U	41	3	4	4	Y	Y			3
4B	TB4-11,12	I6L	45	7	14	4	Y	Y			10
6A	TB3-5,6	J2U	40	2	6	6	Y	Y			
6B	TB3-7,8	J2L	44	6	16	6	Y	Y			
8A	TB5-9,10	J6U	42	4	8	8	Y	Y			
PED PUSH BUTTONS											
P21,P22	TB8-4,6	I12U	67	29	PED 2	2 PED					
P41,P42	TB8-5,6	I12L	69	31	PED 4	4 PED					

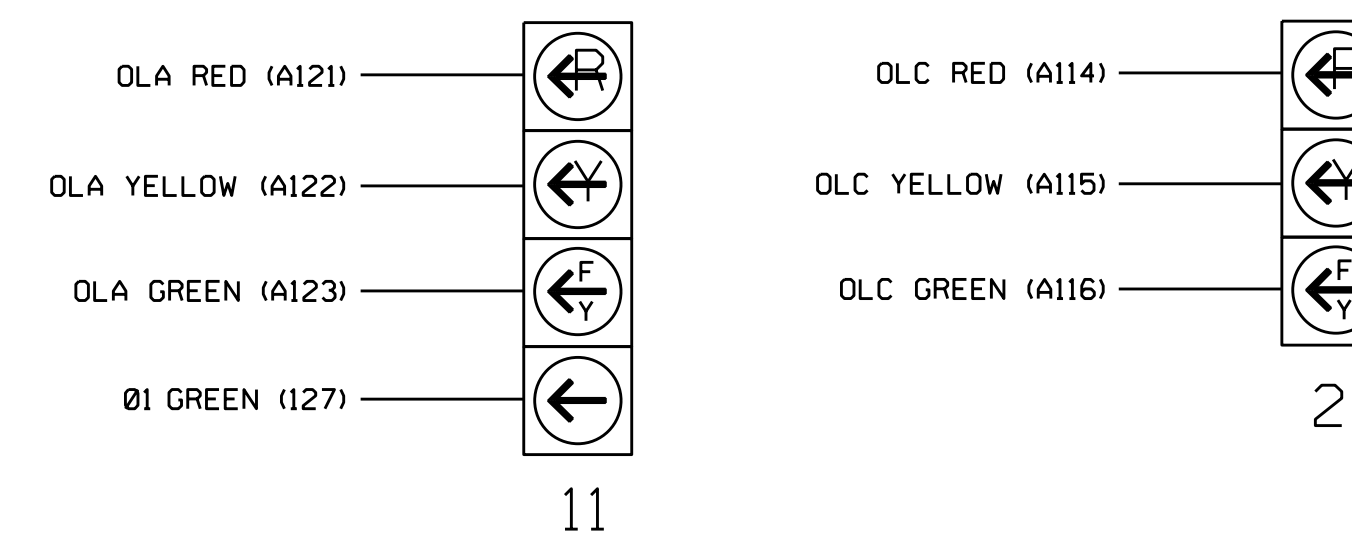
NOTE:
 INSTALL DC ISOLATOR
 IN INPUT FILE SLOTS 112.

INPUT FILE POSITION LEGEND: J2L



FYA SIGNAL WIRING DETAIL

(wire signal heads as shown)



NOTE

The sequence display for signal head 11 requires special logic programming. See sheet 2 for programming instructions.

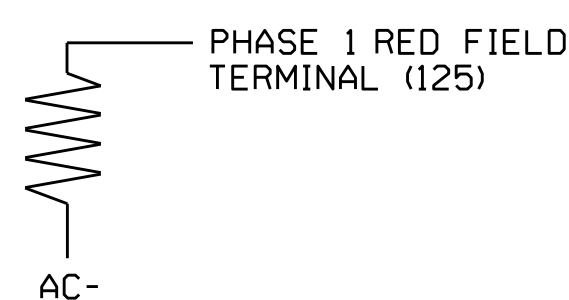
COUNTDOWN PEDESTRIAN SIGNAL OPERATION

Countdown Ped Signals are required to display timing only during Ped Clearance Interval. Consult Ped Signal Module user's manual for instructions on selecting this feature.

LOAD RESISTOR INSTALLATION DETAIL

(install resistor as shown below)

VALUE (ohms)	WATTAGE
1.5K - 1.9K	25W (min)
2.0K - 3.0K	10W (min)



THIS ELECTRICAL DETAIL IS FOR THE SIGNAL DESIGN: 13-0984
 DESIGNED: April 2016
 SEALED: 8/9/2016
 REVISED: N/A

Electrical Detail - Sheet 1 of 2

DOCUMENT NOT CONSIDERED FINAL UNLESS ALL SIGNATURES COMPLETED

ELECTRICAL AND PROGRAMMING DETAILS FOR: Prepared in the Offices of: 750 N. Greenfield Pkwy, Garner, NC 27529	US 25 (Hendersonville Road) at Peachtree Road (Carolina Cinemas)/BB&T Entrance		SEAL Keith M. Mims 9/8/2016
	Division 13 Buncombe County Asheville PLAN DATE: June 2016 REVIEWED BY: BAS PREPARED BY: S. Armstrong REVIEWED BY:	REVISIONS INIT. DATE	

08-SEP-2016 08:18
 S:\IT\SS\115_Signal\work\hgr\oups\sig_mon\armstrong\130984_sm.elec.xxx.dgn
 somstrong