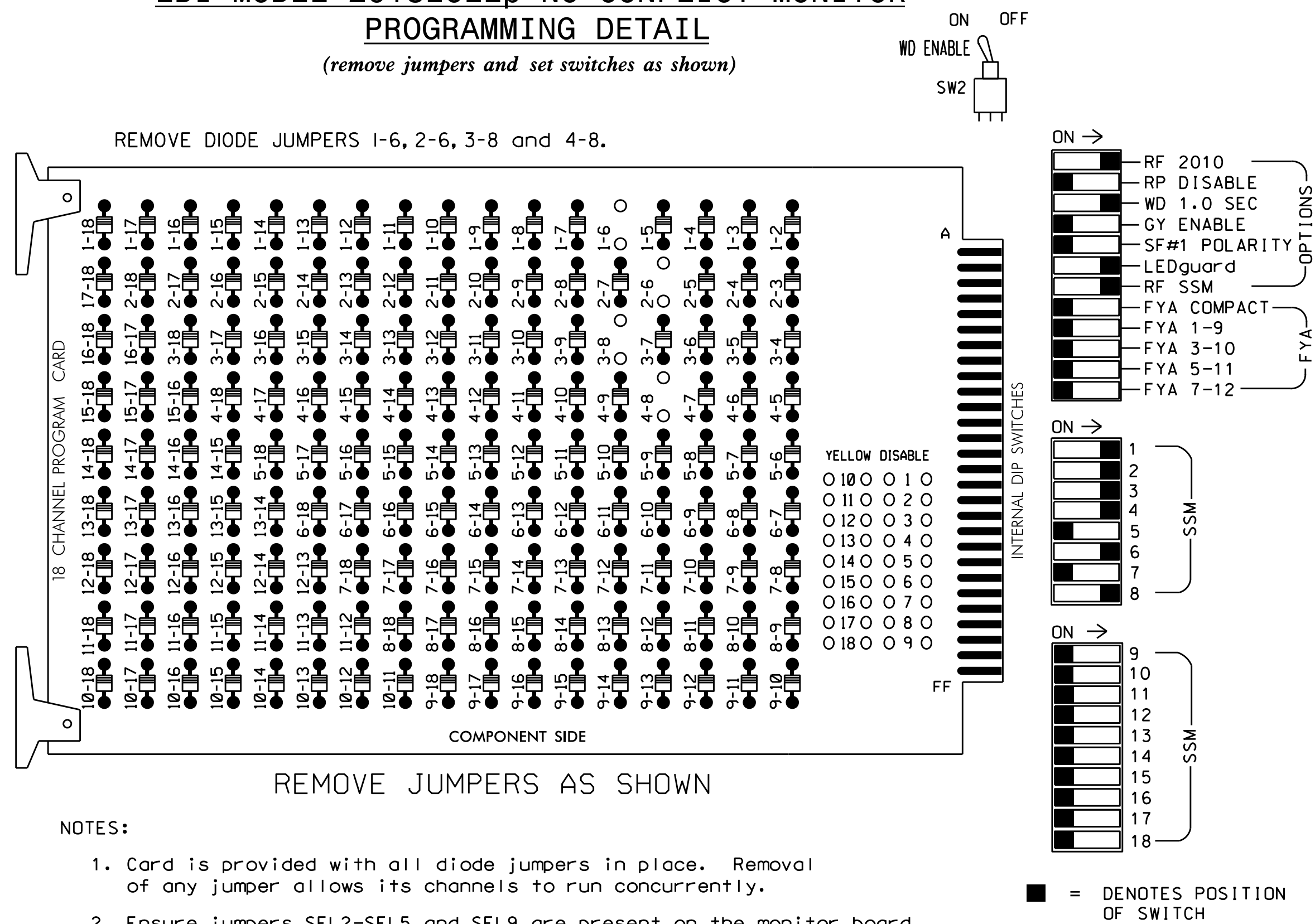


**EDI MODEL 2018ECLIP-NC CONFLICT MONITOR**

**PROGRAMMING DETAIL**

(remove jumpers and set switches as shown)



**NOTES:**

1. Card is provided with all diode jumpers in place. Removal of any jumper allows its channels to run concurrently.
2. Ensure jumpers SEL2-SEL5 and SEL9 are present on the monitor board.
3. Ensure that Red Enable is active at all times during normal operation.
4. Integrate monitor with Ethernet network in cabinet.

**NOTES**

1. To prevent "flash-conflict" problems, insert red flash program blocks for all unused vehicle load switches in the output file. The installer shall verify that signal heads flash in accordance with the Signal Plans.
2. Program phases 4 and 8 for Dual Entry.
3. Enable Simultaneous Gap-Out for all phases.
4. Program phases 2 and 6 for Start Up In Green.
5. Program phases 2 and 6 for Yellow Flash.
6. The cabinet and controller are part of the Asheville Signal System.

**EQUIPMENT INFORMATION**

CONTROLLER.....2070E  
 CABINET.....332 /W/ AUX  
 SOFTWARE.....ECONOLITE OASIS  
 CABINET MOUNT.....BASE  
 OUTPUT FILE POSITIONS...18 WITH AUX. OUTPUT FILE  
 LOAD SWITCHES USED.....S1,S2,S4,S5,S8,S11  
 PHASES USED.....1,2,3,4,6,8  
 OVERLAPS.....NONE

**SIGNAL HEAD HOOK-UP CHART**

LOAD SWITCH NO.	S1	S2	S3	S4	S5	S6	S7	S8	S9	S10	S11	S12	AUX S1	AUX S2	AUX S3	AUX S4	AUX S5	AUX S6
CMU CHANNEL NO.	1	2	13	3	4	14	5	6	15	7	8	16	9	10	17	11	12	18
PHASE	1	2	2 PED	3	4	4 PED	5	6	6 PED	7	8	8 PED	OLA	OLB	SPARE	OLC	OLD	SPARE
SIGNAL HEAD NO.	61	21,22	NU	81	41,42	NU	NU	61,62	NU	NU	81,82	NU	NU	NU	NU	NU	NU	NU
RED	*	128		*	101			134			107							
YELLOW		129			102			135			108							
GREEN		130			103			136			109							
RED ARROW																		
YELLOW ARROW	126				117													
GREEN ARROW	127				118													

NU = Not Used

\* Denotes install load resistor. See load resistor installation detail this sheet.

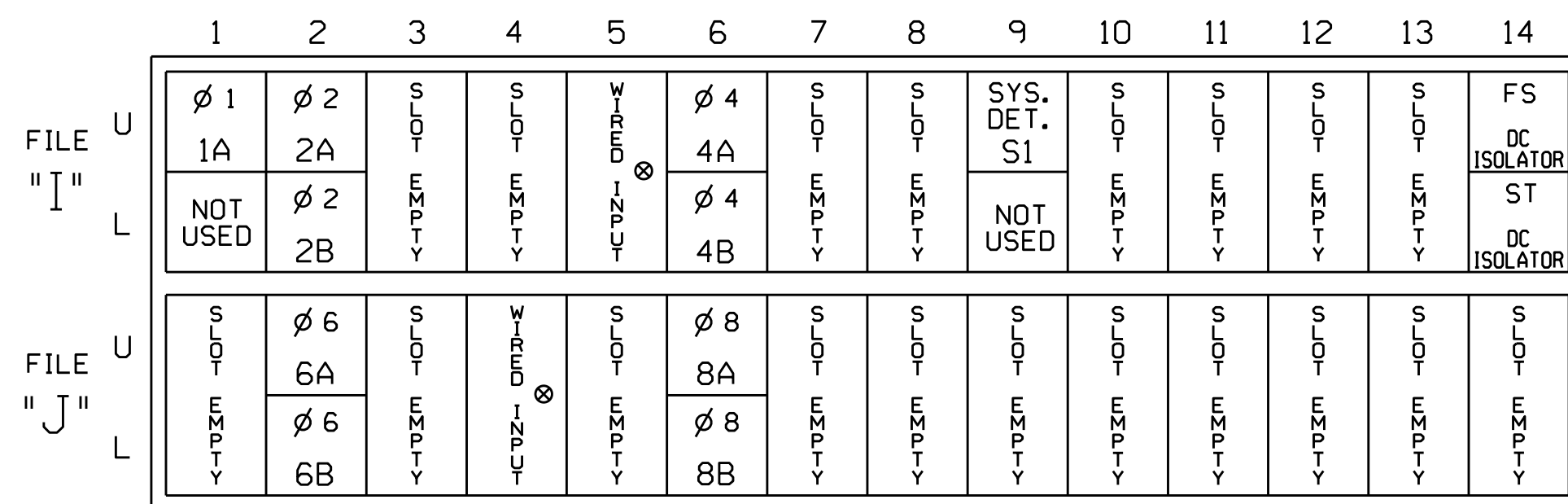
**BACKUP PROTECTION NOTE**

(program controller as shown below)

From Main Menu press '2' (Phase Control), then '1' (Phase Control Functions). Program phase 6 for 'Backup Protect'. Make sure the Red Revert times shown on the Signal Design Plans are programmed in the 'Phase Timing' menu.

**INPUT FILE POSITION LAYOUT**

(front view)



EX.: 1A, 2A, ETC. = LOOP NO.'S

FS = FLASH SENSE  
 ST = STOP TIME

⊗ Wired Input - Do not populate slot with detector card

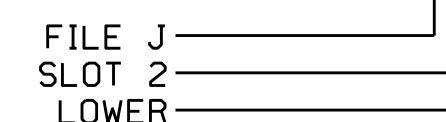
**INPUT FILE CONNECTION & PROGRAMMING CHART**

LOOP NO.	LOOP TERMINAL	INPUT FILE POS.	PIN NO.	INPUT ASSIGNMENT NO.	DETECTOR NO.	NEMA PHASE	CALL	EXTEND	FULL TIME DELAY	STRETCH TIME	DELAY TIME
1A <sup>1</sup>	TB2-1,2	I1U	56	18	1	1	Y	Y			15
	-	J4U	48	10	26	6	Y	Y	Y		3
2A	TB2-5,6	I2U	39	1	2	2	Y	Y		1.7	
2B	TB2-7,8	I2L	43	5	12	2	Y	Y			
4A	TB4-9,10	I6U	41	3	4	4	Y	Y			10
4B	TB4-11,12	I6L	45	7	14	4	Y	Y			15
* S1	TB6-9,10	I9U	60	22	11	SYS					
6A	TB3-5,6	J2U	40	2	6	6	Y	Y		1.7	
6B	TB3-7,8	J2L	44	6	16	6	Y	Y			
8A <sup>2</sup>	TB5-9-10	J6U	42	4	8	8	Y	Y			3
	-	I5U	58	20	3	3	Y	Y			15
8B	TB5-11,12	J6L	46	8	18	8	Y	Y			15

<sup>1</sup>Add jumper from I1-W to J4-W, on rear of input file.

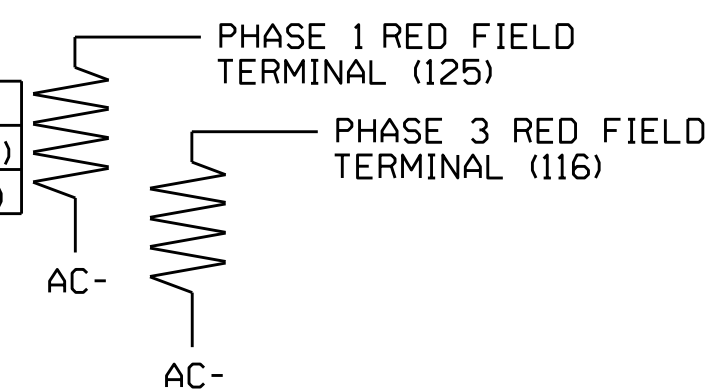
<sup>2</sup>Add jumper from J6-F to I5-W, on rear of input file.

**INPUT FILE POSITION LEGEND: J2L**



**LOAD RESISTOR INSTALLATION DETAIL**

VALUE (ohms)	WATTAGE
1.5K - 1.9K	25W (min)
2.0K - 3.0K	10W (min)



NOTE: The purpose of these resistors is to load the channel red monitor inputs in order for the Signal Sequence Monitor to use the full signal sequence monitoring capability on channels that do not use the red display in the field.

**DYNAMIC BACK-UP CONTROL PROGRAMMING**

(program controller as shown below)

1. From Main Menu press '2' (Phase Control), then '1' (Phase Control Functions). Scroll to the bottom of the menu and enable Dynamic/Backup Control Function 1.
2. From Phase Control Functions Menu press '2' (Dynamic/Backup Control Functions).

DYNAMIC/BACKUP CONTROL FUNCTION #01  
 OVERLAPS: ABCDEFGHIJKLMNP  
 IF OVERLAPS ARE ACTIVE :  
 OR PHASES ARE ACTIVE :  
 IF PHASES ARE ON: X  
 OMIT PHASES : X  
 CALL PHASES : X

BACKUP PROTECTION PROGRAMMING COMPLETE

THIS ELECTRICAL DETAIL IS FOR  
 THE SIGNAL DESIGN: 13-0555  
 DESIGNED: May 2016  
 SEALED: 8-18-16  
 REVISED: N/A

**Electrical Detail**

Electrical and Programming Details for: NC 191 (Brevard Road) at NC 146 (Long Shoals Road) / SR 3645 (Vista Boulevard)

Division 18 Buncombe County W. of Skyland

PLAN DATE: July 2016 REVIEWED BY: DTJ

PREPARED BY: James Peterson REVIEWED BY:

REVISIONS INIT. DATE

750 N. Greenfield Pkwy, Garner, NC 27529

DOCUMENT NOT CONSIDERED FINAL UNLESS ALL SIGNATURES COMPLETED

SEAL: KEITH M. MINS ENGINEER

DocuSigned by: Keith M. Mins 9/15/2016

SIG. INVENTORY NO. 13-0555