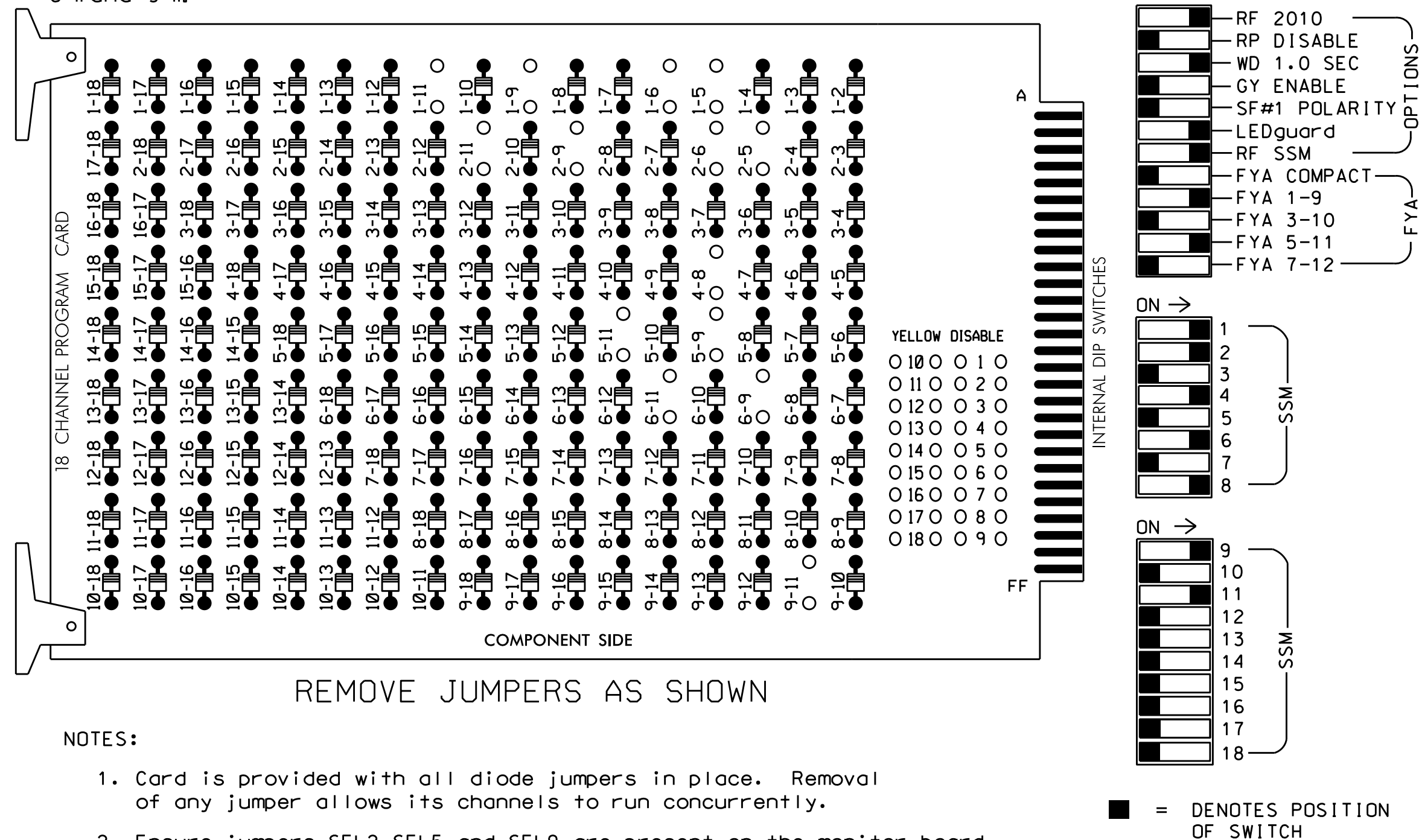


EDI MODEL 2018EClip-NC CONFLICT MONITOR PROGRAMMING DETAIL

(remove jumpers and set switches as shown)

REMOVE DIODE JUMPERS 1-5, 1-6, 1-9, 1-11, 2-5, 2-6, 2-9, 2-11, 4-8, 5-9, 5-11, 6-9, 6-11 and 9-11.



REMOVE JUMPERS AS SHOWN

NOTES:

- Card is provided with all diode jumpers in place. Removal of any jumper allows its channels to run concurrently.
- Ensure jumpers SEL2-SEL5 and SEL9 are present on the monitor board.
- Ensure that Red Enable is active at all times during normal operation.
- Integrate monitor with Ethernet network in cabinet.

NOTES

- To prevent "flash-conflict" problems, insert red flash program blocks for all unused vehicle load switches in the output file. The installer shall verify that signal heads flash in accordance with the Signal Plans.
- Program phases 4 and 8 for Dual Entry.
- Enable Simultaneous Gap-Out for all phases.
- Program phases 2 and 6 for Variable Initial and Gap Reduction.
- Program phases 2 and 6 for Start Up In Green.
- Program phases 2 and 6 for Yellow Flash, and overlap 1 as Wag Overlaps.
- The cabinet and controller are part of the Asheville Signal System.

EQUIPMENT INFORMATION

CONTROLLER.....2070E
 CABINET.....332 W/ AUX
 SOFTWARE.....ECONOLITE OASIS
 CABINET MOUNT.....BASE
 OUTPUT FILE POSITIONS...18 WITH AUX. OUTPUT FILE
 LOAD SWITCHES USED.....S1,S2,S5,S7,S8,S11,AUX S1,
 AUX S4
 PHASES USED.....1,2,4,5,6,8
 OVERLAP "A".....1+2
 OVERLAP "B".....NOT USED
 OVERLAP "C".....5+6
 OVERLAP "D".....NOT USED

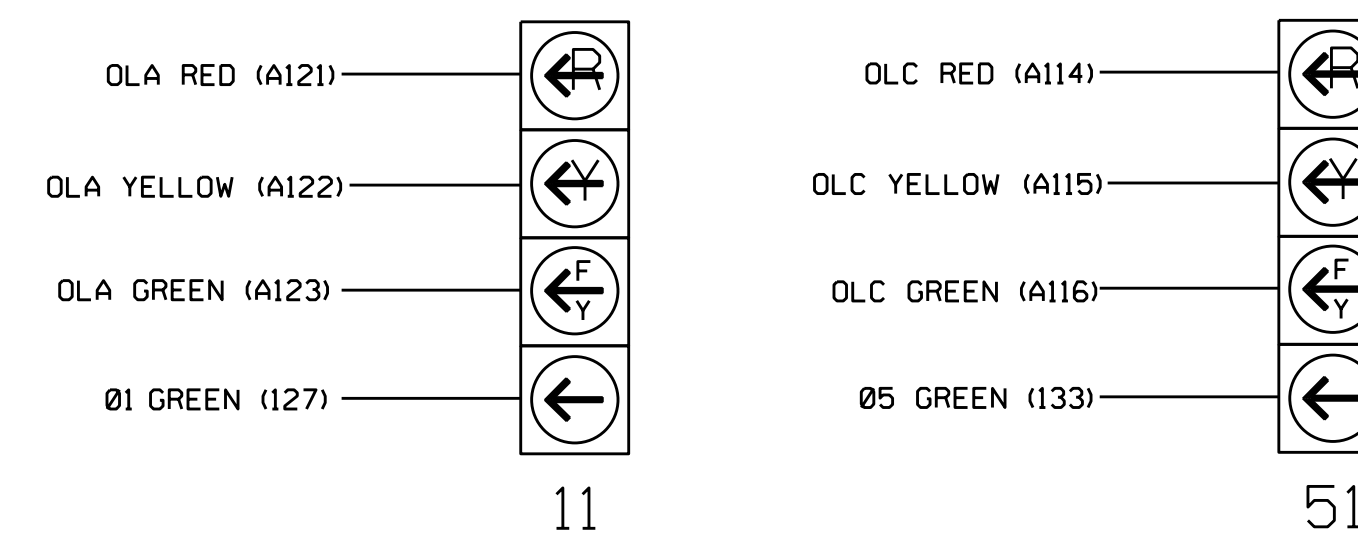
SIGNAL HEAD HOOK-UP CHART

LOAD SWITCH NO.	S1	S2	S3	S4	S5	S6	S7	S8	S9	S10	S11	S12	AUX S1	AUX S2	AUX S3	AUX S4	AUX S5	AUX S6
CMU CHANNEL NO.	1	2	13	3	4	14	5	6	15	7	8	16	9	10	17	11	12	18
PHASE	1	2	2 PED	3	4	4 PED	5	6	6 PED	7	8	8 PED	OLA	OLB	SPARE	OLC	OLD	SPARE
SIGNAL HEAD NO.	11	82	21,22	NU	NU	41,42	NU	51	61,62	NU	NU	81,82	NU	11	NU	NU	51	NU
RED	*	128				101			134			107						
YELLOW		129				102		*	135			108						
GREEN		130				103			136			109						
RED ARROW													A121				A114	
YELLOW ARROW		126											A122				A115	
FLASHING YELLOW ARROW													A123				A116	
GREEN ARROW	127	127							133									

NU = Not Used
 * Denotes install load resistor. See load resistor installation detail this sheet.
 ★ See pictorial of head wiring in detail below.

4 SECTION FYA PPLT SIGNAL WIRING DETAIL

(wire signal heads as shown)

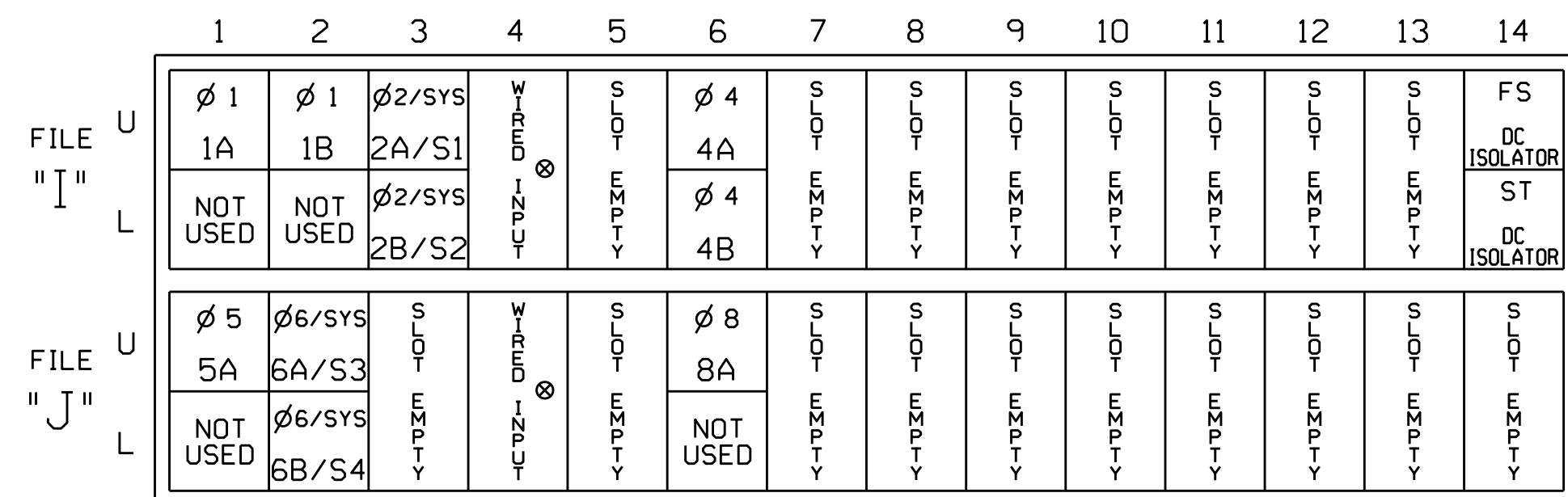


NOTE

- The sequence display for this signal requires special logic programming. See sheet 2 of 2 for programming instructions.

INPUT FILE POSITION LAYOUT

(front view)



EX.: 1A, 2A, ETC. = LOOP NO.'S

FS = FLASH SENSE
 ST = STOP TIME

⊗ Wired Input - Do not populate slot with detector card

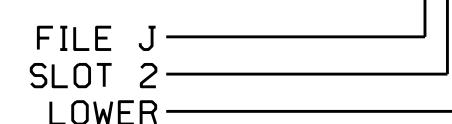
INPUT FILE CONNECTION & PROGRAMMING CHART

LOOP NO.	LOOP TERMINAL	INPUT FILE POS.	PIN NO.	INPUT ASSIGNMENT NO.	DETECTOR NO.	NEMA PHASE	CALL	EXTEND	FULL TIME DELAY	STRETCH TIME	DELAY TIME
1A ¹	TB2-1,2	I1U	56	18	1	1	Y	Y			15
	-	J4U	48	10	26	6	Y	Y	Y		3
1B	TB2-5,6	I2U	39	1	2	1	Y	Y			15
	2A/S1	TB2-9,10	I3U	63	25	32	2/SYS	Y	Y		
2B/S2	TB2-11,12	I3L	76	38	42	2/SYS	Y	Y			
	4A	TB4-9,10	I6U	41	3	4	Y	Y			3
4B	TB4-11,12	I6L	45	7	14	4	Y	Y			15
	5A ²	TB3-1,2	J1U	55	17	5	Y	Y			15
5B	-	I4U	47	9	22	2	Y	Y	Y		3
	6A/S3	TB3-5,6	J2U	40	2	6	6/SYS	Y	Y		
6B/S4	TB3-7,8	J2L	44	6	16	6/SYS	Y	Y			
	8A	TB5-9,10	J6U	42	4	8	Y	Y			3

¹Add jumper from I1-W to J4-W, on rear of input file.

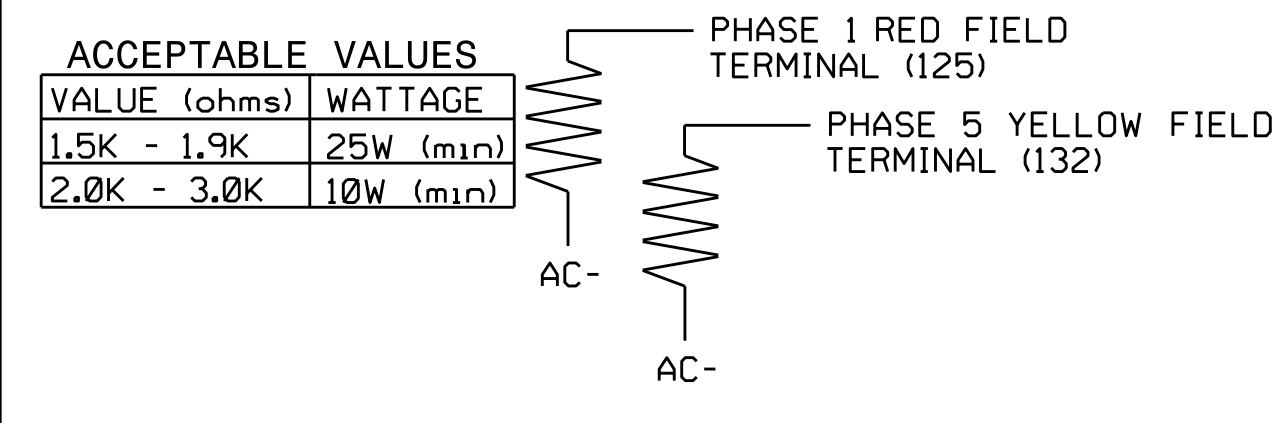
²Add jumper from J1-W to I4-W, on rear of input file.

INPUT FILE POSITION LEGEND: J2L



LOAD RESISTOR INSTALLATION DETAIL

(install resistors as shown below)



THIS ELECTRICAL DETAIL IS FOR THE SIGNAL DESIGN: 13-0522
 DESIGNED: June 2016
 SEALED: 8/3/2016
 REVISED:

Electrical Detail - Sheet 1 of 2

DOCUMENT NOT CONSIDERED FINAL UNLESS ALL SIGNATURES COMPLETED

Prepared In the Offices of:
 TRANSPORTATION MOBILITY AND SAFETY DIVISION
 NORTH CAROLINA DEPARTMENT OF TRANSPORTATION
 Signal Management Section
 750 N. Greenfield Pkwy, Garner, NC 27529

US 74A (Fairview Road) at Oakley Plaza/River Ridge

Division 13 Buncombe County Asheville

PLAN DATE: July 2016 REVIEWED BY: BAS

PREPARED BY: C. Strickland REVIEWED BY:

REVISIONS INIT. DATE

DocuSigned by: *Carlynn M. Little* 8/5/2016

SIG. INVENTORY NO. 13-0522

04-AUG-2016 07:52
 S:\IT\ASIS\13-SIG\101\work\hgr\oas\sig\Map\Strickland\130522_sml_e.xxx.dgn
 C:\STRICKLAND