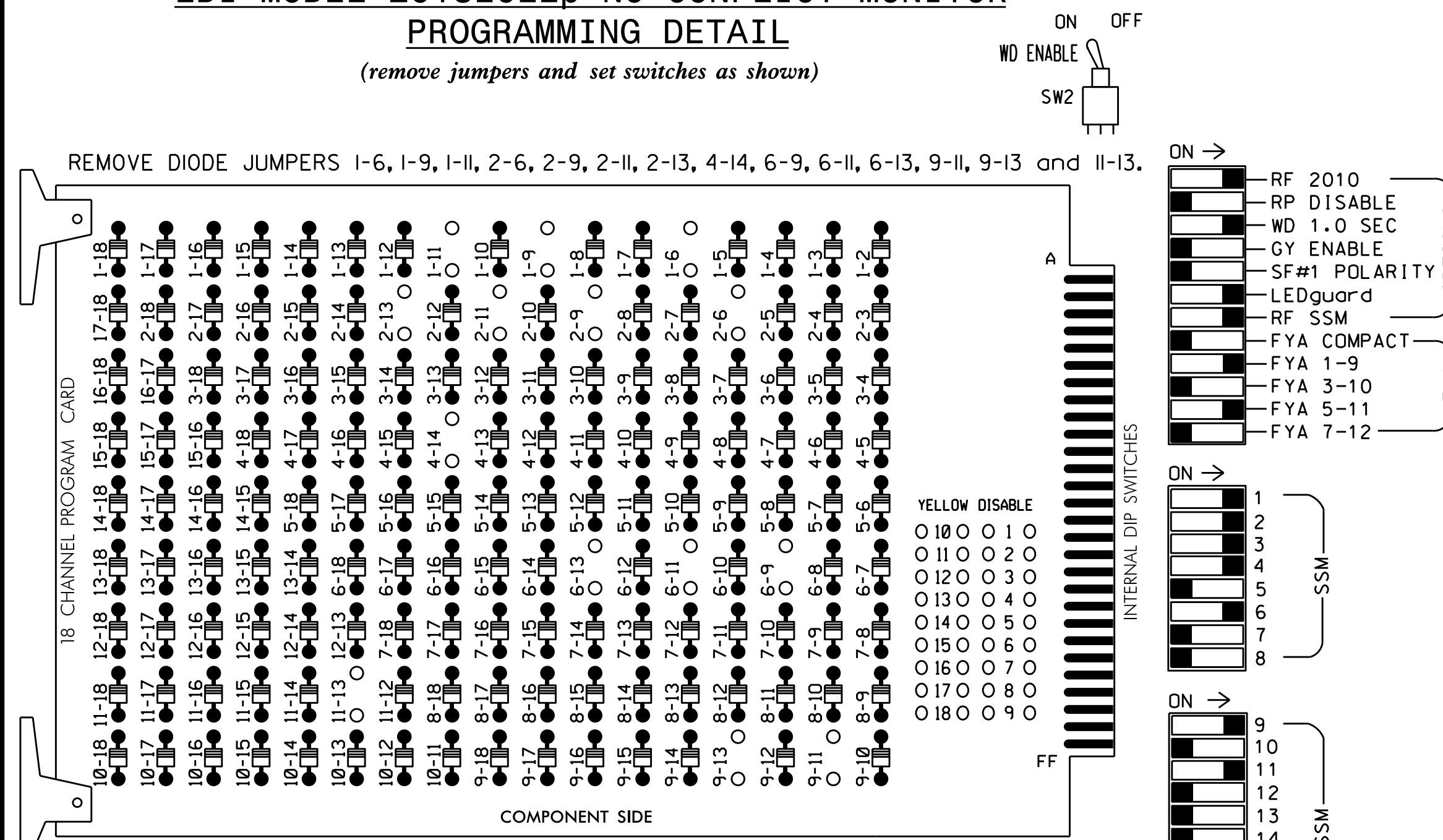


EDI MODEL 2018ECLIP-NC CONFLICT MONITOR

PROGRAMMING DETAIL

(remove jumpers and set switches as shown)



REMOVE JUMPERS AS SHOWN

NOTES:

- Card is provided with all diode jumpers in place. Removal of any jumper allows its channels to run concurrently.
- Ensure jumpers SEL2-SEL5 and SEL9 are present on the monitor board.
- Ensure that Red Enable is active at all times during normal operation.
- Integrate monitor with Ethernet network in cabinet.

NOTES

- To prevent "flash-conflict" problems, insert red flash program blocks for all unused vehicle load switches in the output file. The installer shall verify that signal heads flash in accordance with the Signal Plans.
- Enable Simultaneous Gap-Out for all phases.
- Program phases 2 and 6 for Variable Initial and Gap Reduction.
- Program phases 2 and 6 for Start Up In Green.
- Program phases 2 and 4 for 'STARTUP PED CALL'.
- Program phases 2 and 6 for Yellow Flash, and overlap 1 as Wag Overlaps.
- The cabinet and controller are part of the Asheville Signal System.

EQUIPMENT INFORMATION

CONTROLLER.....2070E
 CABINET.....332 /W/ AUX
 SOFTWARE.....ECONOLITE OASIS
 CABINET MOUNT.....BASE
 OUTPUT FILE POSITIONS...18 WITH AUX. OUTPUT FILE
 LOAD SWITCHES USED.....S1,S2,S3,S4,S5,S6,S8,
 AUX S1,AUX S4.
 PHASES USED.....1,2,3,4,6,2 PED,4 PED.
 OVERLAP "A".....1+2
 OVERLAP "B".....NOT USED
 OVERLAP "C".....6
 OVERLAP "D".....NOT USED

SIGNAL HEAD HOOK-UP CHART

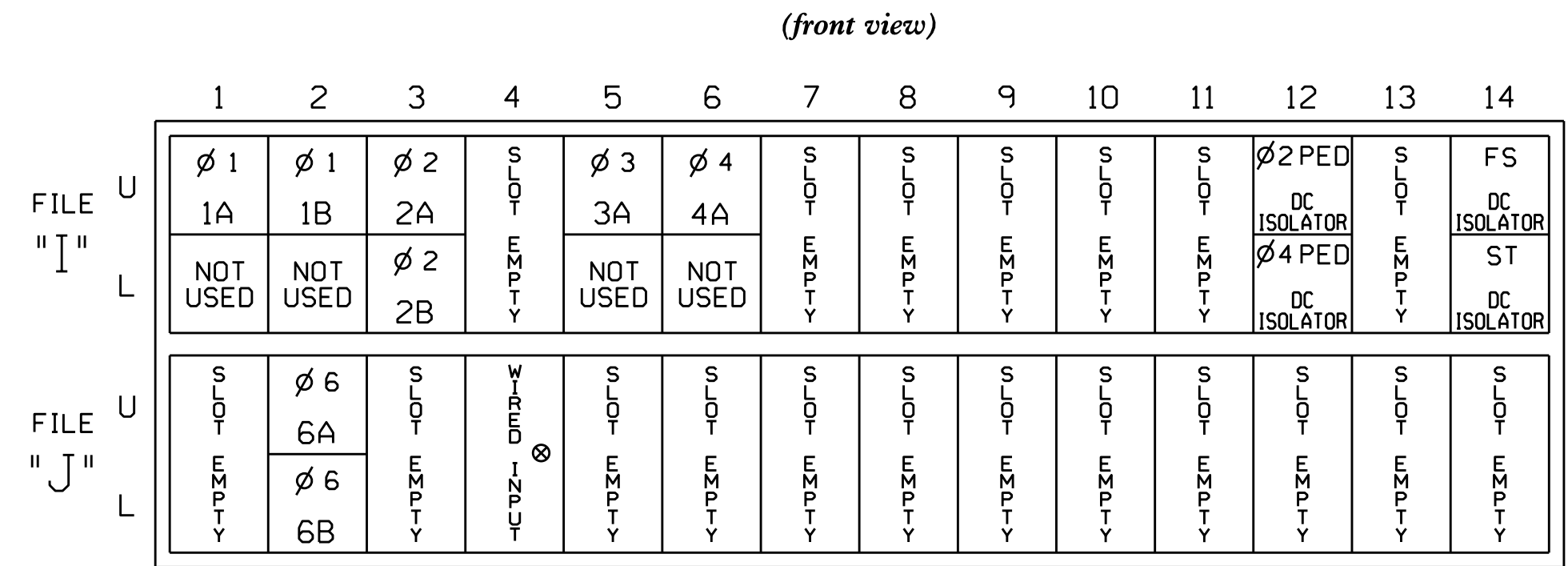
LOAD SWITCH NO.	S1	S2	S3	S4	S5	S6	S7	S8	S9	S10	S11	S12	AUX S1	AUX S2	AUX S3	AUX S4	AUX S5	AUX S6
CMU CHANNEL NO.	1	2	13	3	4	14	5	6	15	7	8	16	9	10	17	11	12	18
PHASE	1	2	2 PED	3	4	4 PED	5	6	6 PED	7	8	8 PED	OLA	OLB	SPARE	OLC	OLD	SPARE
SIGNAL HEAD NO.	11	42	22,23	P21, P22	31	32	41	42	P41, P42	NU	61,62	NU	NU	NU	NU	11	21	NU
RED	*	128		116	116	101	101				134							
YELLOW		129		117	117	102	102				135							
GREEN		130		118	118	103	103				136							
RED ARROW													A121			A114		
YELLOW ARROW	126												A122			A115		
FLASHING YELLOW ARROW													A123			A116		
GREEN ARROW	127	127		118	103													
Hand				113				104										
Person				115				106										

NU = Not Used
 * Denotes install load resistor. See load resistor installation detail this sheet.
 * See pictorial of head wiring in detail this sheet.

COUNTDOWN PEDESTRIAN SIGNAL OPERATION

Countdown Ped Signals are required to display timing only during Ped Clearance Interval. Consult Ped Signal Module user's manual for instructions on selecting this feature.

INPUT FILE POSITION LAYOUT



EX.: 1A, 2A, ETC. = LOOP NO.'S FS = FLASH SENSE ST = STOP TIME

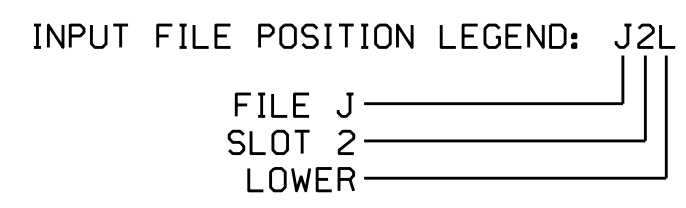
⊗ Wired Input - Do not populate slot with detector card

INPUT FILE CONNECTION & PROGRAMMING CHART

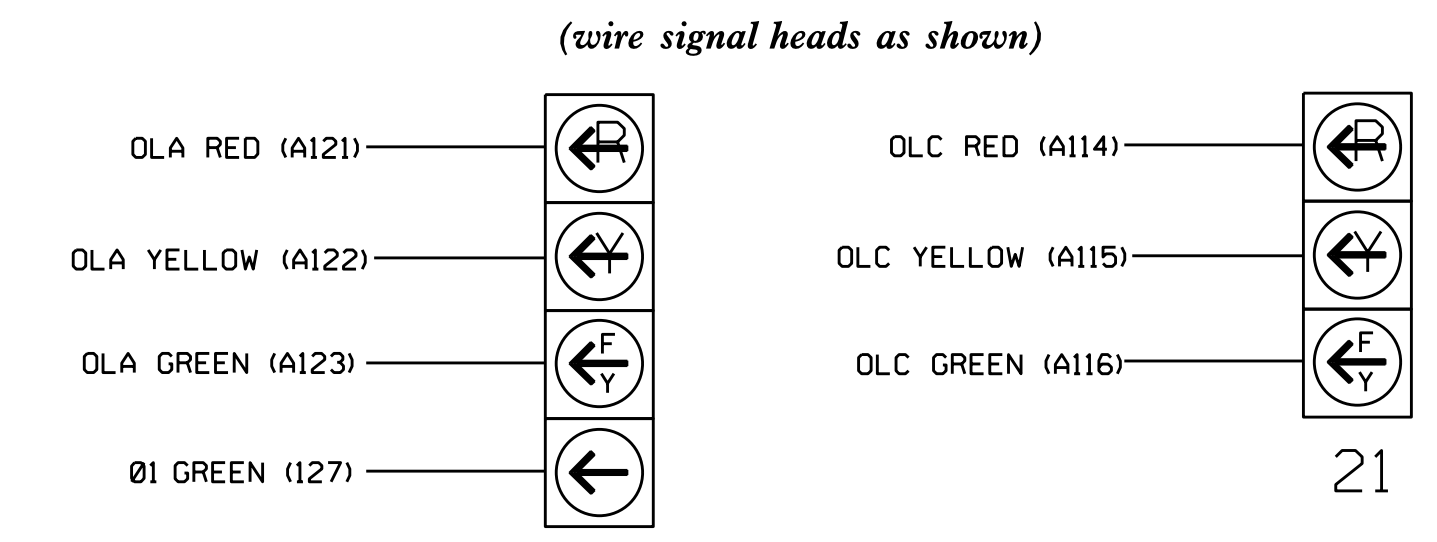
LOOP NO.	LOOP TERMINAL	INPUT FILE POS.	PIN NO.	INPUT ASSIGNMENT NO.	DETECTOR NO.	NEMA PHASE	CALL	EXTEND	FULL TIME DELAY	STRETCH TIME	DELAY TIME
1A	TB2-1,2	I1U	56	18	1	1	Y	Y			15
	-	J4U	48	10	26	6	Y	Y	Y		3
1B	TB2-5,6	I2U	39	1	2	1	Y	Y			15
2A	TB2-9,10	I3U	63	25	32	2	Y	Y			
2B	TB2-11,12	I3L	76	38	42	2	Y	Y			
3A	TB4-5,6	I5U	58	20	3	3	Y	Y			5
4A	TB4-9,10	I6U	41	3	4	4	Y	Y			3
6A	TB3-5,6	J2U	40	2	6	6	Y	Y			
6B	TB3-7,8	J2L	44	6	16	6	Y	Y			
PED PUSH BUTTONS											
P21,P22	TB8-4,6	I12U	67	29	PED 2	2	PED				
P41,P42	TB8-5,6	I12L	69	31	PED 4	4	PED				

NOTE: INSTALL DC ISOLATORS IN INPUT FILE SLOT 112.

⊕ Add jumper from I1-W to J4-W. on rear of input file.



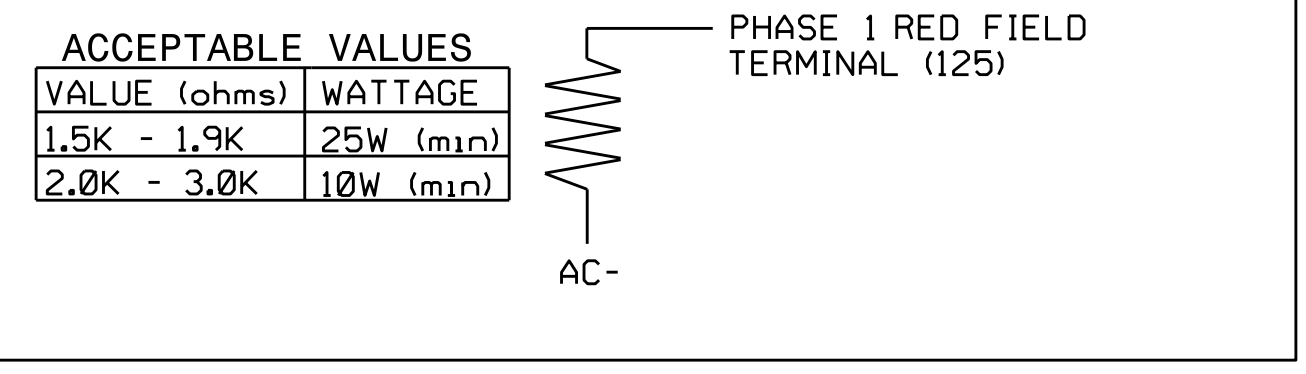
FYA SIGNAL WIRING DETAIL



NOTE: 1. The sequence display for head 11 requires special logic programming. See sheet 2 of 2 for programming instructions.

LOAD RESISTOR INSTALLATION DETAIL

(install resistor as shown below)



US 25 (Hendersonville Road) at South Forest Shopping Center/ Busbee Road

Division 18 Buncombe County Asheville

PLAN DATE: July 2016 REVIEWED BY: DTJ

PREPARED BY: James Peterson REVIEWED BY:

REVISIONS INIT. DATE

750 N. Greenfield Pkwy, Garner, NC 27529

THIS ELECTRICAL DETAIL IS FOR THE SIGNAL DESIGN: 13-0443
 DESIGNED: February 2016
 SEALED: 8-18-16
 REVISED: N/A

SEAL NORTH CAROLINA PROFESSIONAL ENGINEER KEITH M. MIMS

DocuSigned by: Keith M. Mims 9/14/2016

SIG. INVENTORY NO. 13-0443

31-100-2016 1-4-13 S:\1\TCS\1\TCS\Sigma\work\gpc\sig\Map\eter\son\130443_sml.ele_xxx.dgn T Peterson