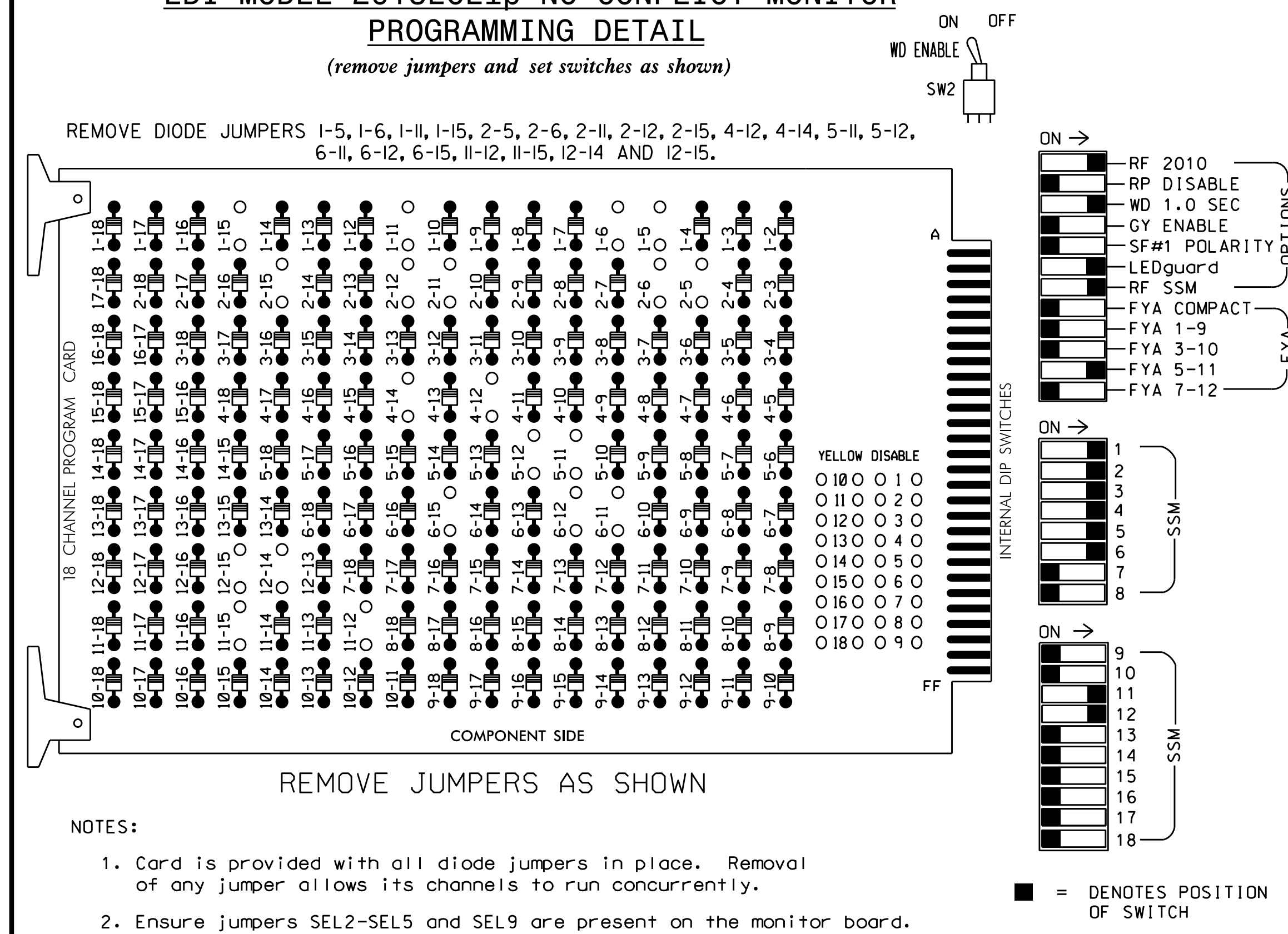


EDI MODEL 2018ECLIP-NC CONFLICT MONITOR PROGRAMMING DETAIL
(remove jumpers and set switches as shown)



NOTES

- To prevent "flash-conflict" problems, insert red flash program blocks for all unused vehicle load switches in the output file. The installer shall verify that signal heads flash in accordance with the Signal Plans.
- Enable Simultaneous Gap-Out for all phases.
- Program phases 2 and 6 for Variable Initial and Gap Reduction.
- Program phases 2 and 6 for Start Up In Green.
- Program phases 4 and 6 for 'STARTUP PED CALL'.
- Program phases 2 and 6 for Yellow Flash.
- The cabinet and controller are part of the Asheville Signal System.

EQUIPMENT INFORMATION

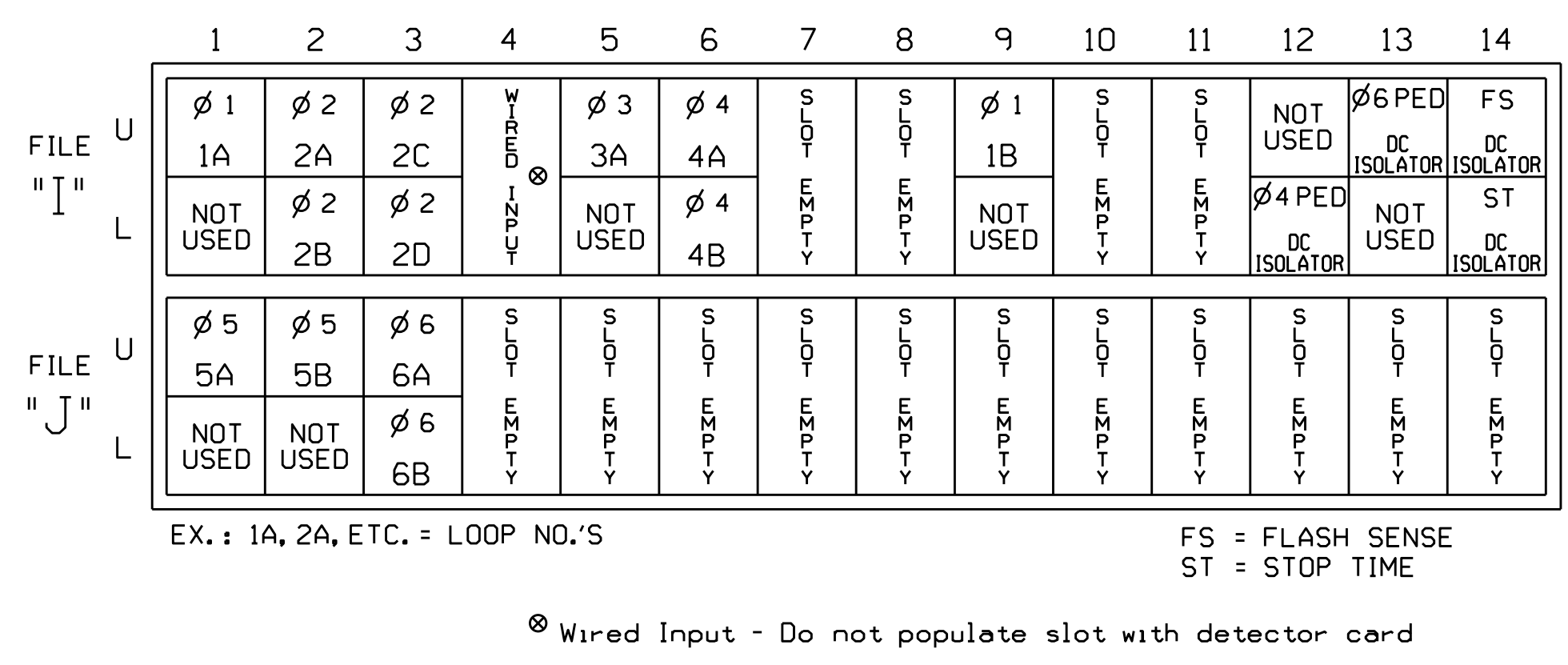
CONTROLLER.....2070E
 CABINET.....332 /W/ AUX
 SOFTWARE.....ECONOLITE OASIS
 CABINET MOUNT.....BASE
 OUTPUT FILE POSITIONS...18 WITH AUX. OUTPUT FILE
 LOAD SWITCHES USED.....S1,S2,S4,S5,S6,S7,S8,
 S9,AUX S4,AUX S5
 PHASES USED.....1,2,3,4,5,6,4 PED,6 PED
 OVERLAP "A".....NOT USED
 OVERLAP "B".....NOT USED
 OVERLAP "C".....5+6
 OVERLAP "D".....2+4

SIGNAL HEAD HOOK-UP CHART

LOAD SWITCH NO.	S1	S2	S3	S4	S5	S6	S7	S8	S9	S10	S11	S12	AUX S1	AUX S2	AUX S3	AUX S4	AUX S5	AUX S6	
CMU CHANNEL NO.	1	2	13	3	4	14	5	6	15	7	8	16	9	10	17	11	12	18	
PHASE	1	2	2 PED	3	4	4 PED	5	6	6 PED	7	8	8 PED	OLA	OLB	SPARE	OLC	OLD	SPARE	
SIGNAL HEAD NO.	11	42	21,22	NU	31	32	41	42	P41, P42	32	51*	61,62	P61, P62	NU	NU	NU	51*	23,24	NU
RED		128		116	116	101	101			*	134							A101	
YELLOW		129		117	117	102	102				135								
GREEN		130		118	118	103	103				136								
RED ARROW	125																	A114	
YELLOW ARROW	126	126									132							A115	A102
FLASHING YELLOW ARROW																		A116	
GREEN ARROW	127	127		118		103					133	133						A103	
Hand icon									104				119						
Person icon									106				121						

NU = Not Used
 * Denotes install load resistor. See load resistor installation detail this sheet.
 * See pictorial of head wiring in detail this sheet.

INPUT FILE POSITION LAYOUT
(front view)



INPUT FILE CONNECTION & PROGRAMMING CHART

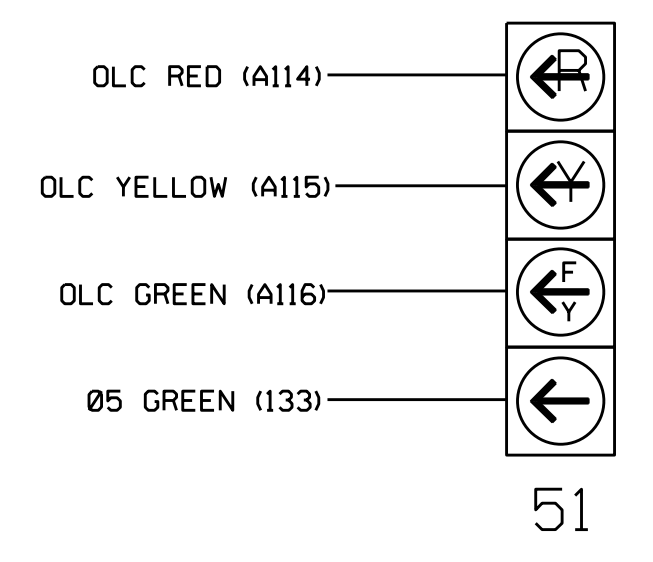
LOOP NO.	LOOP TERMINAL	INPUT FILE POS.	PIN NO.	INPUT ASSIGNMENT NO.	DETECTOR NO.	NEMA PHASE	CALL	EXTEND	FULL TIME DELAY	STRETCH TIME	DELAY TIME
1A	TB2-1,2	I1U	56	18	1	1	Y	Y	Y		3
2A	TB2-5,6	I2U	39	1	2	2	Y	Y			
2B	TB2-7,8	I2L	43	5	12	2	Y	Y			
2C	TB2-9,10	I3U	63	25	32	2	Y	Y			
2D	TB2-11,12	I3L	76	38	42	2	Y	Y			
3A	TB4-5,6	I5U	58	20	3	3	Y	Y			3
4A	TB4-9,10	I6U	41	3	4	4	Y	Y			3
4B	TB4-11,12	I6L	45	7	14	4	Y	Y			
1B	TB6-9,10	I9U	60	22	11	1	Y	Y			15
5A'	TB3-1,2	J1U	55	17	5	5	Y	Y			15
		I4U	47	9	22	2	Y	Y	Y		3
5B	TB3-5,6	J2U	40	2	6	5	Y	Y			15
6A	TB3-9,10	J3U	64	26	36	6	Y	Y			
6B	TB3-11,12	J3L	77	39	46	6	Y	Y			
PED PUSH BUTTONS											
P41,P42	TB8-5,6	I12L	69	31	PED 4	4 PED					
P61,P62	TB8-7,9	I13U	68	30	PED 6	6 PED					

* Add jumper from J1-W to I4-W, on rear of input file.

INPUT FILE POSITION LEGEND: J2L



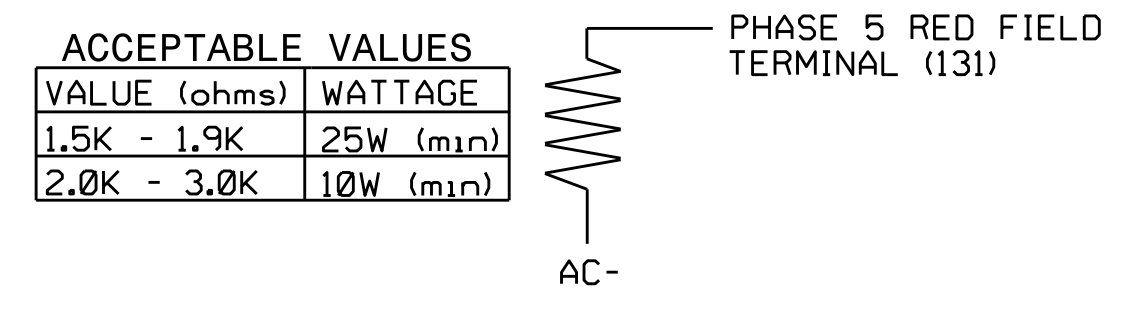
4 SECTION FYA PPLT SIGNAL WIRING DETAIL
(wire signal head as shown)



NOTE
 1. The sequence display for this signal requires special logic programming. See sheet 2 of 2 for programming instructions.

THIS ELECTRICAL DETAIL IS FOR THE SIGNAL DESIGN: 13-0398
 DESIGNED: June 2016
 SEALED: 8-11-16
 REVISED: N/A

LOAD RESISTOR INSTALLATION DETAIL
(install resistor as shown below)



COUNTDOWN PEDESTRIAN SIGNAL OPERATION

Countdown Ped Signals are required to display timing only during Ped Clearance Interval. Consult Ped Signal Module user's manual for instructions on selecting this feature.

ELECTRICAL DETAIL SHEET 1 OF 2

DOCUMENT NOT CONSIDERED FINAL UNLESS ALL SIGNATURES COMPLETED

Prepared In the Offices of:
 TRANSPORTATION MOBILITY AND SAFETY DIVISION
 NORTH CAROLINA DEPARTMENT OF TRANSPORTATION
 Signal Management Section
 750 N. Greenfield Pkwy, Garner, NC 27529

US 74A (S. Tunnel Rd.)
 at
 Shopping Center Entrance/
 Theater Entrance

Division 18 Buncombe County Asheville
 PLAN DATE: August 2016 REVIEWED BY: BAS
 PREPARED BY: James Peterson REVIEWED BY:

REVISIONS INIT. DATE

Sealed by: Keith M. Mims 9/1/2016
 2F60/SHERIFF/ASLE
 DATE

SIG. INVENTORY NO. 13-0398

01-SEP-2016 09:18
 S:\IT\501\15_Signal\work\output\51g_Mon\eter\son\130398_sml.ele_xxx.dgn
 J.peterson