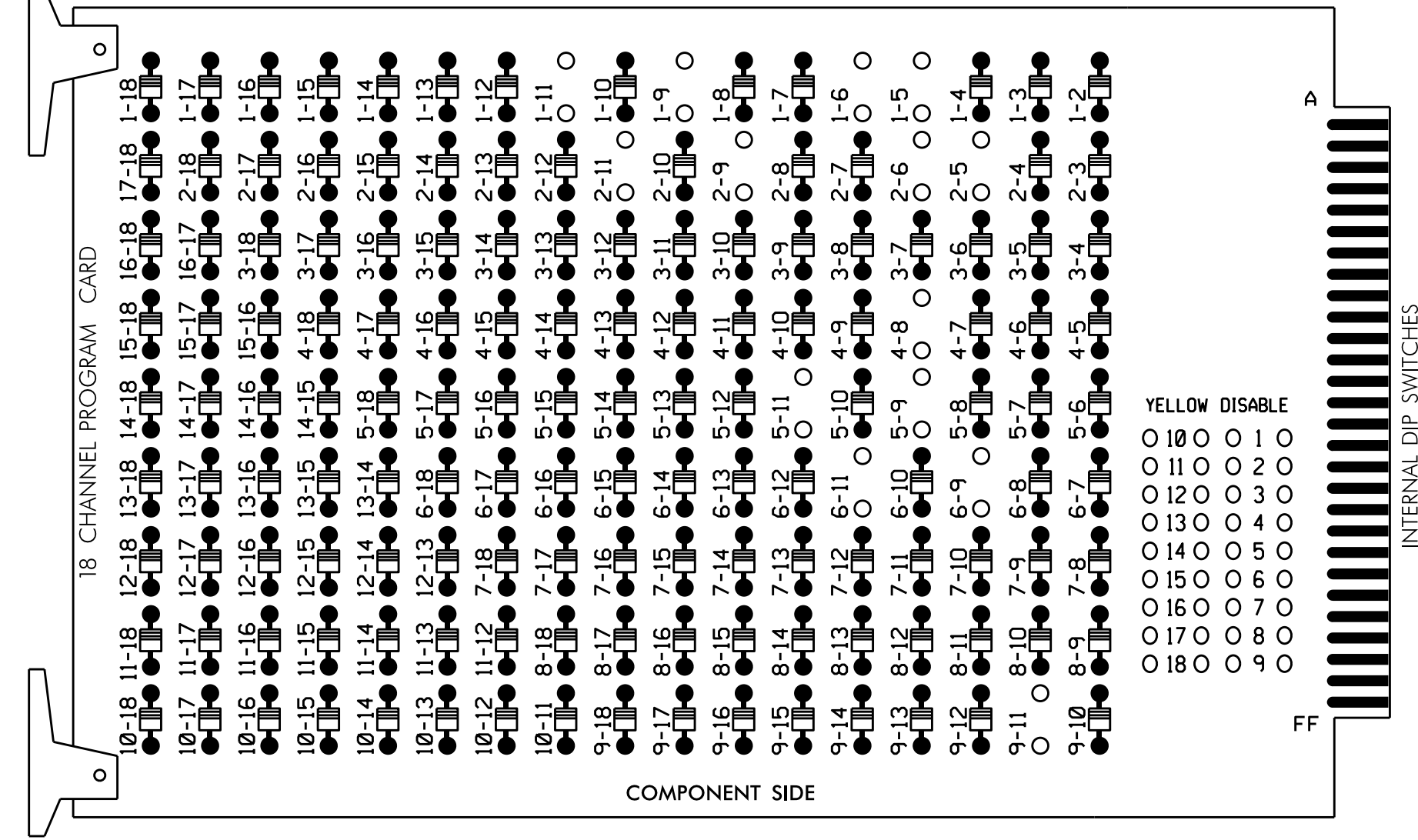


**EDI MODEL 2018EClip-NC CONFLICT MONITOR  
PROGRAMMING DETAIL**

(remove jumpers and set switches as shown)

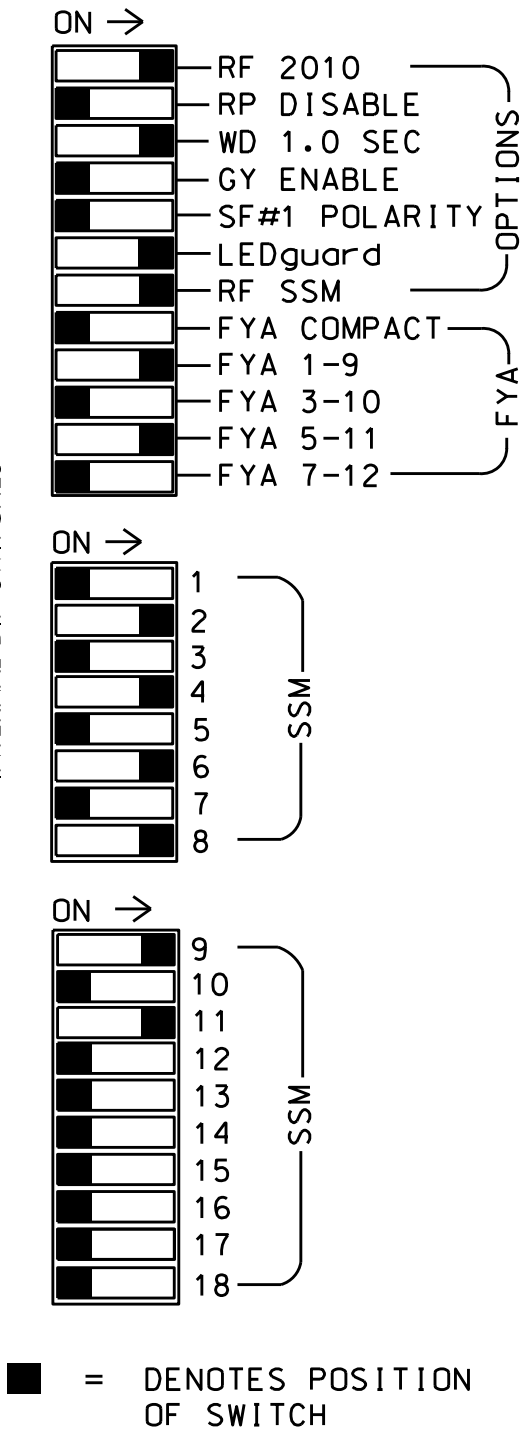
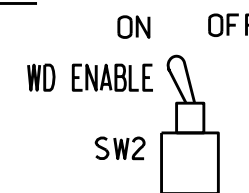
REMOVE DIODE JUMPERS 1-5, 1-6, 1-9, 1-11, 2-5, 2-6, 2-9, 2-11, 4-8, 5-9, 5-11, 6-9, 6-11 and 9-11.



REMOVE JUMPERS AS SHOWN

**NOTES:**

- Card is provided with all diode jumpers in place. Removal of any jumper allows its channels to run concurrently.
- Ensure jumpers SEL2-SEL5 and SEL9 are present on the monitor board.
- Ensure that Red Enable is active at all times during normal operation.
- Integrate monitor with Ethernet network in cabinet.



**NOTES**

- To prevent "flash-conflict" problems, insert red flash program blocks for all unused vehicle load switches in the output file. The installer shall verify that signal heads flash in accordance with the Signal Plans.
- Program phases 4 and 8 for Dual Entry.
- Enable Simultaneous Gap-Out for all phases.
- Program phases 2 and 6 for Variable Initial and Gap Reduction.
- Program phases 2 and 6 for Start Up In Green.
- Program phases 2 and 6 for Yellow Flash, and overlap 1 as Wag Overlaps.
- The cabinet and controller are part of the Asheville Signal System.

**EQUIPMENT INFORMATION**

CONTROLLER.....2070E  
 CABINET.....332 W/ AUX  
 SOFTWARE.....ECONOLITE OASIS  
 CABINET MOUNT.....BASE  
 OUTPUT FILE POSITIONS...18 WITH AUX. OUTPUT FILE  
 LOAD SWITCHES USED.....S1,S2,S5,S7,S8,S11,AUX S1,AUX S4  
 PHASES USED.....1,2,4,5,6,8  
 OVERLAP "A".....1+2  
 OVERLAP "B".....NOT USED  
 OVERLAP "C".....5+6  
 OVERLAP "D".....NOT USED

**SIGNAL HEAD HOOK-UP CHART**

LOAD SWITCH NO.	S1	S2	S3	S4	S5	S6	S7	S8	S9	S10	S11	S12	AUX S1	AUX S2	AUX S3	AUX S4	AUX S5	AUX S6
CMU CHANNEL NO.	1	2	13	3	4	14	5	6	15	7	8	16	9	10	17	11	12	18
PHASE	1	2	2 PED	3	4	4 PED	5	6	6 PED	7	8	8 PED	OLA	OLB	SPARE	OLC	OLD	SPARE
SIGNAL HEAD NO.	11	21,22	NU	NU	41,42	NU	51	61,62	NU	NU	81,82	NU	11	NU	NU	51	NU	NU
RED		128			101			134			107							
YELLOW	*	129			102		*	135			108							
GREEN		130			103			136			109							
RED ARROW																A121		A114
YELLOW ARROW																A122		A115
FLASHING YELLOW ARROW																A123		A116
GREEN ARROW	127									133								

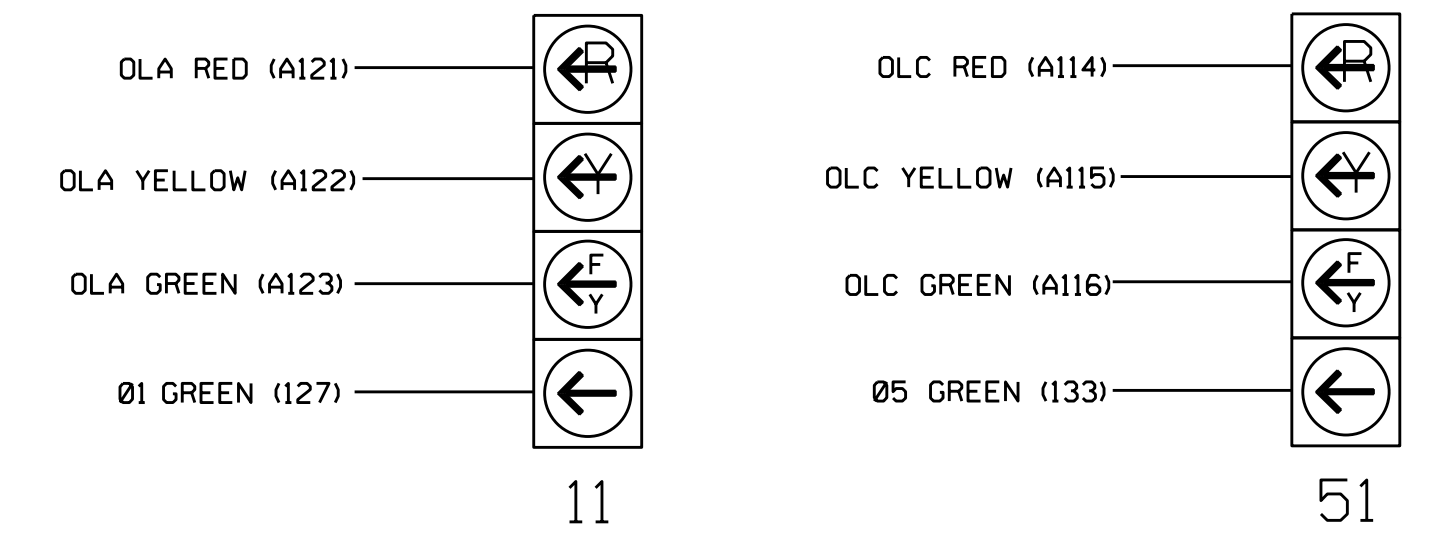
NU = Not Used

\* Denotes install load resistor. See load resistor installation detail this sheet.

★ See pictorial of head wiring in detail below.

**4 SECTION FYA PPLT SIGNAL WIRING DETAIL**

(wire signal heads as shown)



**NOTE**

- The sequence display for these signals require special logic programming. See sheet 2 of 2 for programming instructions.

**INPUT FILE POSITION LAYOUT**

(front view)

FILE	1	2	3	4	5	6	7	8	9	10	11	12	13	14
U	Ø 1	Ø 2	Ø 3	Ø 4	Ø 5	Ø 6	Ø 7	Ø 8	Ø 9	Ø 10	Ø 11	Ø 12	Ø 13	Ø 14
I	1A	2A	3A	4A	5A	6A	7A	8A	9A	10A	11A	12A	13A	14A
L	NOT USED	Ø 2	Ø 3	Ø 4	Ø 5	Ø 6	Ø 7	Ø 8	Ø 9	Ø 10	Ø 11	Ø 12	Ø 13	Ø 14
U	Ø 5	Ø 6	Ø 7	Ø 8	Ø 9	Ø 10	Ø 11	Ø 12	Ø 13	Ø 14	Ø 15	Ø 16	Ø 17	Ø 18
J	5A	6A	7A	8A	9A	10A	11A	12A	13A	14A	15A	16A	17A	18A
L	NOT USED	Ø 6	Ø 7	Ø 8	Ø 9	Ø 10	Ø 11	Ø 12	Ø 13	Ø 14	Ø 15	Ø 16	Ø 17	Ø 18

EX.: 1A, 2A, ETC. = LOOP NO.'S

FS = FLASH SENSE  
 ST = STOP TIME

⊗ Wired Input - Do not populate slot with detector cord

**INPUT FILE CONNECTION & PROGRAMMING CHART**

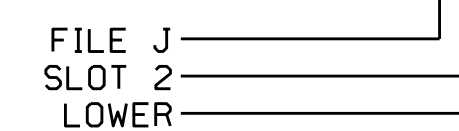
LOOP NO.	LOOP TERMINAL	INPUT FILE POS.	PIN NO.	INPUT ASSIGNMENT NO.	DETECTOR NO.	NEMA PHASE	CALL	EXTEND	FULL TIME DELAY	STRETCH TIME	DELAY TIME
1A <sup>1</sup>	TB2-1,2	I1U	56	18	1	1	Y	Y			15
		J4U	48	10	26	6	Y	Y	Y		3
2A	TB2-5,6	I2U	39	1	2	2	Y	Y			
2B	TB2-7,8	I2L	43	5	12	2	Y	Y			
4A	TB4-9,10	I6U	41	3	4	4	Y	Y			3
4B	TB4-11,12	I6L	45	7	14	4	Y	Y			20
5A <sup>2</sup>	TB3-1,2	J1U	55	17	5	5	Y	Y			15
		I4U	47	9	22	2	Y	Y	Y		3
6A	TB3-5,6	J2U	40	2	6	6	Y	Y			
6B	TB3-7,8	J2L	44	6	16	6	Y	Y			
8A	TB5-9,10	J6U	42	4	8	8	Y	Y			3
* S1	TB6-9,10	I9U	60	22	11	SYS					
* S2	TB6-11,12	I9L	62	24	13	SYS					

<sup>1</sup>Add jumper from I1-W to J4-W, on rear of input file.

<sup>2</sup>Add jumper from J1-W to I4-W, on rear of input file.

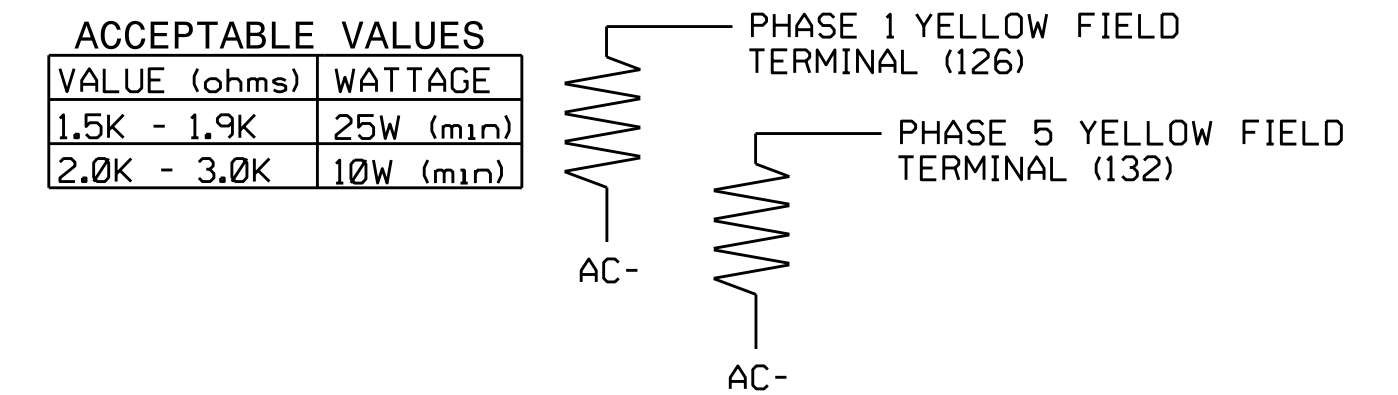
\* System detector only. Remove the vehicle phase assigned to this detector in the default programming.

**INPUT FILE POSITION LEGEND: J2L**



**LOAD RESISTOR INSTALLATION DETAIL**

(install resistors as shown below)



THIS ELECTRICAL DETAIL IS FOR THE SIGNAL DESIGN: 13-0047  
 DESIGNED: April 2016  
 SEALED: 8/18/2016  
 REVISED:

Electrical Detail - Sheet 1 of 2

Electrical and Programming Details for: **US 25A (Sweeten Creek Road) at SR 3081 (Rock Hill Road)**

Prepared in the Offices of: **Transporatio Mobility and Safety Solutions**

Division 13 Buncombe County Asheville

PLAN DATE: July 2016 REVIEWED BY: BAS

PREPARED BY: C. Strickland REVIEWED BY:

REVISIONS INIT. DATE

DocuSigned by: **Carlynn M. Little** 8/26/2016

750 N. Greenfield Pkwy, Garner, NC 27529

SIG. INVENTORY NO. 13-0047