



STATE OF NORTH CAROLINA
DEPARTMENT OF TRANSPORTATION

ROY COOPER
GOVERNOR

JAMES H. TROGDON, III
SECRETARY

April 11, 2017

Addendum No. 1

RE: Contract # C203925

WBS # 46483.3.1, 46484.3.1

STATE FUNDED

Carteret County (B-5938, B-5939)

Bridge #68 Over Bogue Sound On SR-1182 (Atlantic Beach Causeway)

And Bridge #6 Over Bogue Sound on NC-58

April 18, 2017 Letting

To Whom It May Concern:

Please note that the plans for the existing bridges have been posted on the Project Letting website. Also please note that the plans for bridge #68 show octagonal piles when in fact 20" square piles were used. The bidder shall place their bid based on the existing 20" square piles. The original plans are for informational purposes only and are not a guarantee of actual field conditions. The Contractor is responsible for verifying field conditions and dimensions.

Reference is made to the plans and proposal form furnished to you on this project.

The following revisions have been made to the Structure plans:

Sheet No.	Revisions
S2-1 and S2-60	Revised to change the quantity of "FRP Strengthening System"

Please void Sheets No. S2-1 and S2-60 in your plans and staple revised Sheets No. S2-1 and S2-60 thereto.

The following revisions have been made to the proposal:

Page No.	Revisions
Proposal Cover	Note added that reads "Includes Addendum No. 1 Dated 04-11-2017".
Table of Contents	Revised to reflect the below mentioned addition of "Intermediate Contract Time Number 4 and Liquidated Damages"
G-3	Added the word Midnight to "Intermediate Contract Time Number 2 and Liquidated Damages".
G-4 and G-5	Added "Intermediate Contract Time Number 4 and Liquidated Damages"

Mailing Address:
NC DEPARTMENT OF TRANSPORTATION
CONTRACT STANDARDS AND DEVELOPMENT
1591 MAIL SERVICE CENTER
RALEIGH, NC 27699-1591

Telephone: (919) 707-6900
Fax: (919) 250-4127
Customer Service: 1-877-368-4968

Location:
1020 BIRCH RIDGE DR.
RALEIGH, NC 27610

Website: www.ncdot.gov

Page No.	Revisions
BP-2	New sentence concerning the existing piles for Bridge #68 was added to the third paragraph within the project special provision entitled "Scope Of Work"
BP-60	Revised 3/8" to 1/2" in the fourth and sixth paragraph on this page

Please void the Proposal Cover, Page Nos. G-3, G-4, G-5, BP-2 and BP-60 and staple the revised pages thereto. Due to adding "Intermediate Contract Time Number 4 and Liquidated Damages" on Page No. G-4 all subsequent pages in the "G" General section were re-numbered. The contract will be prepared accordingly.

On the item sheets the following pay item quantity has changed:

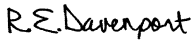
<u>Item</u>	<u>Description</u>	<u>Old Quantity</u>	<u>New Quantity</u>
058-889200000-E-SP	FRP Strengthening System	511 SF	560 SF

The Contractor's bid must be based on this revised pay item quantity. The contract will be prepared accordingly.

The Expedite File has been updated to reflect this revision. Please download the Expedite Addendum File and follow the instructions for applying the addendum. Bid Express will not accept your bid unless the addendum has been applied.

Sincerely,

DocuSigned by:



F81B6038A47A442...

R. E. Davenport, Jr., PE
Contract Officer

RED/jag
Attachments

cc: Mr. Lamar Sylvester, PE
Mr. John Rouse PE
Mr. Bobby Lewis, PE
Mr. Ken Kennedy, PE
Ms. Jaci Kincaid
Ms. Lori Strickland
Project File (2)

Mr. Ray Arnold, PE
Ms. Theresa Canales, PE
Mr. Mike Gwyn
Ms. Penny Higgins
Mr. Mitchell Dixon

STATE OF NORTH CAROLINA
DEPARTMENT OF TRANSPORTATION
RALEIGH, N.C.

PROPOSAL

INCLUDES ADDENDUM No. 1 DATED 04-11-2017

DATE AND TIME OF BID OPENING: **APRIL 18, 2017 AT 2:00 PM**

CONTRACT ID C203925
WBS 46483.3.1, 46484.3.1

FEDERAL-AID NO. STATE FUNDED

COUNTY CARTERET

T.I.P. NO. B-5938, B-5939

MILES 1.610

ROUTE NO.

LOCATION BRIDGE #68 OVER BOGUE SOUND ON SR-1182 (ATLANTIC BEACH CAUSEWAY), AND BRIDGE #6 OVER BOGUE SOUND ON NC-58.

TYPE OF WORK BRIDGE REHABILITATION

NOTICE:

ALL BIDDERS SHALL COMPLY WITH ALL APPLICABLE LAWS REGULATING THE PRACTICE OF GENERAL CONTRACTING AS CONTAINED IN CHAPTER 87 OF THE GENERAL STATUTES OF NORTH CAROLINA WHICH REQUIRES THE BIDDER TO BE LICENSED BY THE N.C. LICENSING BOARD FOR CONTRACTORS WHEN BIDDING ON ANY NON-FEDERAL AID PROJECT WHERE THE BID IS \$30,000 OR MORE, EXCEPT FOR CERTAIN SPECIALTY WORK AS DETERMINED BY THE LICENSING BOARD. BIDDERS SHALL ALSO COMPLY WITH ALL OTHER APPLICABLE LAWS REGULATING THE PRACTICES OF ELECTRICAL, PLUMBING, HEATING AND AIR CONDITIONING AND REFRIGERATION CONTRACTING AS CONTAINED IN CHAPTER 87 OF THE GENERAL STATUTES OF NORTH CAROLINA. NOTWITHSTANDING THESE LIMITATIONS ON BIDDING, THE BIDDER WHO IS AWARDED ANY FEDERAL - AID FUNDED PROJECT SHALL COMPLY WITH CHAPTER 87 OF THE GENERAL STATUTES OF NORTH CAROLINA FOR LICENSING REQUIREMENTS WITHIN 60 CALENDAR DAYS OF BID OPENING.

BIDS WILL BE RECEIVED AS SHOWN BELOW:

THIS IS A STRUCTURE PROPOSAL

5% BID BOND OR BID DEPOSIT REQUIRED

TABLE OF CONTENTS

COVER SHEET
PROPOSAL SHEET

PROJECT SPECIAL PROVISIONS

CONTRACT TIME AND LIQUIDATED DAMAGES: G-1
 INTERMEDIATE CONTRACT TIME NUMBER 1 AND LIQUIDATED DAMAGES: G-1
 INTERMEDIATE CONTRACT TIME NUMBER 2 AND LIQUIDATED DAMAGES: G-3
 INTERMEDIATE CONTRACT TIME NUMBER 3 AND LIQUIDATED DAMAGES: G-3
 INTERMEDIATE CONTRACT TIME NUMBER 4 AND LIQUIDATED DAMAGES: G-4
 MANDATORY PRE-BID CONFERENCE (Prequalifying To Bid): G-5
 CONSTRUCTION MORATORIUM: G-5
 MAJOR CONTRACT ITEMS: G-6
 SPECIALTY ITEMS: G-6
 SPECIAL REQUIREMENTS FOR WORK IN NATIONAL FOREST: G-6
 FUEL PRICE ADJUSTMENT: G-9
 SCHEDULE OF ESTIMATED COMPLETION PROGRESS: G-9
 MINORITY BUSINESS ENTERPRISE AND WOMEN BUSINESS ENTERPRISE: G-10
 CONTRACTOR'S LICENSE REQUIREMENTS: G-24
 SUBSURFACE INFORMATION: G-24
 LOCATING EXISTING UNDERGROUND UTILITIES: G-24
 VALUE ENGINEERING PROPOSAL: G-24
 RESOURCE CONSERVATION AND ENV. SUSTAINABLE PRACTICES: G-25
 DOMESTIC STEEL: G-26
 REMOVABLE PAVEMENT MARKINGS - (Partial Payments for Materials): G-26
 MAINTENANCE OF THE PROJECT: G-27
 TWELVE MONTH GUARANTEE: G-27
 OUTSOURCING OUTSIDE THE USA: G-28
 IRAN DIVESTMENT ACT: G-28
 GIFTS FROM VENDORS AND CONTRACTORS: G-29
 LIABILITY INSURANCE: G-29
 EMPLOYMENT: G-29
 STATE HIGHWAY ADMINISTRATOR TITLE CHANGE: G-30
 SUBLETTING OF CONTRACT: G-30

ROADWAY R-1

STANDARD SPECIAL PROVISIONS

AVAILABILITY FUNDS – TERMINATION OF CONTRACTS SSP-1
 ERRATA SSP-2
 PLANT AND PEST QUARANTINES SSP-4
 MINIMUM WAGES SSP-5
 AWARD OF CONTRACT SSP-6
 ON-THE-JOB TRAINING SSP-11
 NCDENR NAME CHANGE SSP-14

INTERMEDIATE CONTRACT TIME NUMBER 2 AND LIQUIDATED DAMAGES:

(2-20-07)

108

SP1 G14 D

The Contractor shall complete the required work of installing, maintaining and removing the traffic control devices for road closures and restoring traffic to the existing traffic pattern. The Contractor shall not close **SR 1182** during the following time restrictions:

DAY AND TIME RESTRICTIONS

**Monday thru Sunday
4:00 a.m. to 12:00 a.m. (Midnight)**

NOTE: ROAD CLOSURE RESTRICTION FOR SR 1182 IS ONLY TO BE USED DURING PHASE I, STEP 2. (SEE INTERMEDIATE CONTRACT TIME NO. 3 FOR MAXIMUM NUMBER OF ROAD CLOSURE PERIODS)

The time of availability for this intermediate contract time will be the time the Contractor begins to install traffic control devices required for the lane closures according to the time restrictions stated herein.

The completion time for this intermediate contract time will be the time the Contractor is required to complete the removal of traffic control devices required for the lane closures according to the time restrictions stated herein and restore traffic to the existing traffic pattern.

The liquidated damages are **Two Thousand Five Hundred Dollars (\$ 2,500.00)** per **fifteen (15) minute** time period.

INTERMEDIATE CONTRACT TIME NUMBER 3 AND LIQUIDATED DAMAGES:

(2-20-07) (Rev. 6-18-13)

108

SP1 G14 H

The Contractor shall complete the work required of **Phase I, Step #2** as shown on Sheet **TMP-2** and shall place and maintain traffic on same.

The date of availability for this intermediate contract time is the date the Contractor elects to begin the work.

NOTE: SEE INTERMEDIATE CONTRACT TIME NO. 2 FOR ROAD CLOSURE PERIOD TIMES.

The completion date for this intermediate contract time is the date which is a maximum of **Six (6)** Road Closure Periods after and including the date the Contractor begins this work.

The liquidated damages are **Ten Thousand Dollars (\$ 10,000.00)** per **road closure period**.

INTERMEDIATE CONTRACT TIME NUMBER 4 AND LIQUIDATED DAMAGES:

(2-20-07)

108

SP1 G14 A

The Contractor shall complete the required work of installing, maintaining, and removing the traffic control devices for lane closures and restoring traffic to the existing traffic pattern. The Contractor shall not close or narrow a lane of traffic on **NC 58** during the following time restrictions:

DAY AND TIME RESTRICTIONS

**Monday thru Friday
7:00 a.m. to 9:00 a.m. and
3:00 p.m. to 6:00 p.m.**

In addition, the Contractor shall not close or narrow a lane of traffic on **NC 58**, detain and/or alter the traffic flow on or during holidays, holiday weekends, special events, or any other time when traffic is unusually heavy, including the following schedules:

HOLIDAY AND HOLIDAY WEEKEND LANE CLOSURE RESTRICTIONS

1. For **unexpected occurrence** that creates unusually high traffic volumes, as directed by the Engineer.
2. For **Easter**, between the hours of **7:00 a.m.** Thursday and **6:00 p.m.** Monday.
3. For **Memorial Day**, between the hours of **7:00 a.m.** Friday and **6:00 p.m.** Tuesday.
4. For **Independence Day**, between the hours of **7:00 a.m.** the day before Independence Day and **6:00 p.m.** the day after Independence Day.

If **Independence Day** is on a Friday, Saturday, Sunday or Monday, then between the hours of **7:00 a.m.** the Thursday before Independence Day and **6:00 p.m.** the Tuesday after Independence Day.

5. For **Labor Day**, between the hours of **7:00 a.m.** Friday and **6:00 p.m.** Tuesday.

NOTE: FOR ALL OTHER HOLIDAY RESTRICTIONS, SEE HOLIDAY RESTRICTIONS FOR ANY ROAD (INTERMEDIATE CONTRACT TIME NUMBER 1).

Holidays and holiday weekends shall include New Year's Day, Easter, Memorial Day, Independence Day, Labor Day, Thanksgiving, and Christmas. The Contractor shall schedule his work so that lane closures will not be required during these periods, unless otherwise directed by the Engineer.

The time of availability for this intermediate contract work shall be the time the Contractor begins to install all traffic control devices for lane closures according to the time restrictions listed herein.

The completion time for this intermediate contract work shall be the time the Contractor is required to complete the removal of all traffic control devices for lane closures according to the time restrictions stated above and place traffic in the existing traffic pattern.

The liquidated damages are **One Thousand Two Hundred and Fifty Dollars (\$ 1,250.00)** per **fifteen (15) minute** time period.

MANDATORY PRE-BID CONFERENCE (Prequalifying To Bid):

(7-18-06) (Rev. 3-25-13)

SPI 1-14

In order for all prospective bidders to have an extensive knowledge of the project, all prospective bidders shall attend a mandatory pre-bid conference on Thursday **April 6, 2017** at 10:00 am at:

Chief Engineer's Conference Room
NCDOT Equipment and Maintenance Facility
4809 Beryl Rd
Raleigh, NC 27606
(919)733-2220

(Contractors please use visitor entrance at front of building for access)

The pre-bid conference will include a thorough discussion of the plans, contract pay items, special provisions, etc.

Only bidders who have attended and properly registered at the above scheduled pre-bid conference and who have met all other prequalification requirements will be considered prequalified to bid on this project. A bid received from a bidder who has not attended and properly registered at the above scheduled pre-bid conference will not be accepted and considered for award.

Attendance at the pre-bid conference will not meet the requirements of proper registration unless the individual attending has registered at the pre-bid conference in accordance with the following:

- (A) The individual has signed his name on the official roster no later than thirty (30) minutes after the above noted time for the beginning of the conference.
- (B) The individual has written in the name and address of the company he or she represents.
- (C) Only one company has been shown as being represented by the individual attending.
- (D) The individual attending is an officer or permanent employee of the company they are representing.

Attendance at any prior pre-bid conference will not meet the requirement of this provision.

CONSTRUCTION MORATORIUM:

(7-15-14)

SPI G18B

No in-water work will be allowed from **April 1** through **September 30** of any year.

SCOPE OF WORK**Location and Description of Bridge #6**

Carteret County Bridge No. 6 is located on NC 58 over the Intracoastal Waterway between Swansboro and Emerald Isle, NC. The bridge was built in 1971 and is approximately 4,613' long and consists of 59 spans of 45" and 54" prestressed concrete girders. The clear roadway width is 34'. The navigation channel has a vertical clearance of 65'.

Description of Work

This work shall consist of furnishing all labor, materials and equipment to rehabilitate the bridge rail, superstructure and substructure as shown in the contract documents and plans. Work includes; installation of metal rail on existing concrete post and beam rail, fiber reinforced polymer (FRP) strengthening of prestressed concrete girders, prestressed concrete girder repairs, cathodic protection system for prestressed concrete girders, re-setting of existing bearings, cleaning and painting bearings with HRCSA, shotcrete repairs to substructure elements, epoxy coating of substructure elements, epoxy resin injection, repairs to pile bent footings, and pile jackets with cathodic protection.

Location and Description of Bridge #68

Carteret County Bridge No. 68 is located on SR1182 over the Intracoastal Waterway/Bogue Sound between Morehead City and Atlantic Beach, NC. The bridge was built in 1987 and is approximately 3,920' long and consists of 48 spans of 36", 45", 54" and 72" prestressed concrete girders. The clear roadway width is 58'. The navigation channel has a vertical clearance of 65'. **Based on underwater & field inspection all substructure piles appear to be 20" square piles. Contractor is responsible for verifying field dimensions.**

Description of Work

This work shall consist of furnishing all labor, materials and equipment to rehabilitate the bridge deck, superstructure and substructure as shown in the contract documents and plans. Work includes; replacement of existing bridge roadway lighting, span re-positioning, overlay of bridge deck with polyester polymer concrete (PPC), prestressed concrete girder repairs, cathodic protection system for prestressed concrete girders, shotcrete repairs to substructure elements, epoxy coating of substructure elements, epoxy resin injection, pile encapsulation, and replacement of the existing bridge fender system.

Contractor shall provide all necessary access; barges, platforms, scaffolding, ladders, etc.; provide all traffic control; coordinate with the US Coast Guard; provide all staging area, material storage; provide environmental controls to limit loss of materials into water and air; jacking, drilling, sawing and chipping equipment; and all else necessary to complete the work.

No separate payment will be made for portable lighting as the cost of such is incidental to the work being performed.

The contractor shall be responsible for fulfilling all requirements of the NCDOT Standard Specifications for Roads and Structures dated January 2012, except as otherwise specified herein.

The strength and thickness of the outer jacket shall be as required to provide adequate strength and rigidity to withstand the forces and stresses it may be subjected to during handling, installation and the injection of epoxy grout, but shall not be less than 1/8 inch (3 mm) thick.

The outer jacket shall be translucent to the extent that the progression of epoxy grout inside the jacket during injection can be visually monitored from outside the jacket.

The outer jacket shall be equipped with 1" NPT injection ports, spaced at intervals not to exceed five (5) feet, along its entire length. The injection ports shall be positioned on alternately opposite sides of the jacket to allow for more even distribution of grout. The injection ports shall be of all-polymer construction and be fitted into the jacket wall prior to jacket installation, except in special situations, approved by the engineer, where a port may be added to accommodate an unanticipated jobsite condition.

The outer jacket shall have a sufficient number of polymer stand-offs, adhered to its inside surface, to maintain a minimum space between the pile and the jacket of 1/2 inch (9.5 mm). When loss of pile section exists, it may be necessary to use adjustable stand-offs to keep the outer jacket in proper alignment with the pile. At an adjustable stand-off location, a polymer boss shall be adhered to the inside surface of the jacket to provide adequate thread length to accommodate the adjustable polymer screw.

The outer jacket material, exclusive of polymer stand-offs and injection ports, shall possess the following minimum physical properties.

1. Ultimate Tensile Strength per ASTM D-638: 10,000 PSI
2. IZOD Impact Strength per ASTM D-256: 15 ft-lbf/inch. (Notched Sample)
3. Barcol Hardness per ASTM D-2583: 30
4. Water Absorption per ASTM D-570: 1% Maximum
5. Ultra Violet (UV) Stability as demonstrated by Accelerated Weathering Tests per ASTM G-23: Samples of outer jacket subjected to 500 hour exposure in Twin Carbon Arc Weather-ometer (ASTM G-23, Type D) operated at 145 degrees F., shall not exhibit any chipping, flaking or peeling. Said test to be conducted in twenty (20) minute cycles, consisting of seventeen (17) minutes of arc light and three (3) minutes of water spray, throughout the 500 hour test duration.

The outer jacket shall be fabricated in sections. Each section shall not contain more than two (2) longitudinal joints. Sections of jacket may be placed one above the other and joined together with transverse joints. All joints in the outer jacket shall meet the following minimum requirements:

1. All joints shall have sufficient strength to assure that they will not open or separate when subjected to installation stresses, sea forces and epoxy grout injection pressures.
2. The longitudinal joint design shall be of overlapping configuration and shall allow for minor field adjustment to pile size. The design of all joints shall ensure that a minimum 1/2 inch annulus between jacket and pile is maintained.
3. Transverse joints (if any) shall be of overlapping configuration.

The lower end of each outer jacket shall be provided with a molded upset cavity to properly receive and contain a bottom seal gasket.

County : Carteret

Line #	Item Number	Sec #	Description	Quantity	Unit Cost	Amount
ROADWAY ITEMS						
0001	0000100000-N	800	MOBILIZATION	Lump Sum	L.S.	
0002	1330000000-E	607	INCIDENTAL MILLING	455.4	SY	
0003	1519000000-E	610	ASPHALT CONC SURFACE COURSE, TYPE S9.5B	38.3	TON	
0004	1575000000-E	620	ASPHALT BINDER FOR PLANT MIX	2.3	TON	
0005	3215000000-N	862	GUARDRAIL ANCHOR UNITS, TYPE III	4	EA	
0006	3345000000-E	864	REMOVE & RESET EXISTING GUARD- RAIL	912.5	LF	
0007	4400000000-E	1110	WORK ZONE SIGNS (STATIONARY)	298	SF	
0008	4405000000-E	1110	WORK ZONE SIGNS (PORTABLE)	378	SF	
0009	4410000000-E	1110	WORK ZONE SIGNS (BARRICADE MOUNTED)	124	SF	
0010	4415000000-N	1115	FLASHING ARROW BOARD	2	EA	
0011	4420000000-N	1120	PORTABLE CHANGEABLE MESSAGE SIGN	3	EA	
0012	4422000000-N	1120	PORTABLE CHANGEABLE MESSAGE SIGN (SHORT TERM)	42	DAY	
0013	4430000000-N	1130	DRUMS	289	EA	
0014	4435000000-N	1135	CONES	20	EA	
0015	4445000000-E	1145	BARRICADES (TYPE III)	184	LF	
0016	4455000000-N	1150	FLAGGER	100	DAY	
0017	4480000000-N	1165	TMA	2	EA	
0018	4510000000-N	SP	LAW ENFORCEMENT	64	HR	
0019	4516000000-N	1180	SKINNY DRUM	105	EA	

County : Carteret

Line #	Item Number	Sec #	Description	Quantity	Unit Cost	Amount
0020	4520000000-N	1266	TUBULAR MARKERS (FIXED)	95 EA		
0021	4650000000-N	1251	TEMPORARY RAISED PAVEMENT MARKERS	115 EA		
0022	4685000000-E	1205	THERMOPLASTIC PAVEMENT MARKING LINES (4", 90 MILS)	100 LF		
0023	4686000000-E	1205	THERMOPLASTIC PAVEMENT MARKING LINES (4", 120 MILS)	1,426 LF		
0024	4770000000-E	1205	COLD APPLIED PLASTIC PAVEMENT MARKING LINES, TYPE ** (4") (IV)	1,835 LF		
0025	4810000000-E	1205	PAINT PAVEMENT MARKING LINES (4")	47,865 LF		
0026	4820000000-E	1205	PAINT PAVEMENT MARKING LINES (8")	870 LF		
0027	4847000000-E	1205	POLYUREA PAVEMENT MARKING LINES (4", *****) (HIGHLY REFLECTIVE ELEMENTS)	17,345 LF		
0028	4847110000-E	1205	POLYUREA PAVEMENT MARKING LINES (8", *****) (HIGHLY REFLECTIVE ELEMENTS)	356 LF		
0029	4850000000-E	1205	REMOVAL OF PAVEMENT MARKING LINES (4")	28,198 LF		
0030	4860000000-E	1205	REMOVAL OF PAVEMENT MARKING LINES (8")	340 LF		
0031	4900000000-N	1251	PERMANENT RAISED PAVEMENT MARKERS	165 EA		
0032	4905000000-N	1253	SNOWPLOWABLE PAVEMENT MARKERS	15 EA		
STRUCTURE ITEMS						
0033	8161000000-E	420	GROOVING BRIDGE FLOORS	218,738 SF		
0034	8296000000-N	442	POLLUTION CONTROL	Lump Sum	L.S.	

County : Carteret

Line #	Item Number	Sec #	Description	Quantity	Unit Cost	Amount
0035	8559000000-E	SP	CLASS II, SURFACE PREPARATION	17.6 SY		
0036	8664000000-E	SP	SHOTCRETE REPAIRS	951.3 CF		
0037	8678000000-E	SP	EPOXY RESIN INJECTION	1,015 LF		
0038	8860000000-N	SP	GENERIC STRUCTURE ITEM MOOREHEAD CITY LIGHTING SYSTEM	Lump Sum	L.S.	
0039	8860000000-N	SP	GENERIC STRUCTURE ITEM PAINTING CONTAINMENT	Lump Sum	L.S.	
0040	8860000000-N	SP	GENERIC STRUCTURE ITEM REMOVAL OF EXISTING FENDER SYSTEM	Lump Sum	L.S.	
0041	8867000000-E	SP	GENERIC STRUCTURE ITEM 10" X 10" COMPOSITE LUMBER	4,032 LF		
0042	8867000000-E	SP	GENERIC STRUCTURE ITEM 14" COMPOSITE PILES	10,440 LF		
0043	8867000000-E	SP	GENERIC STRUCTURE ITEM 2" X 12" PLASTIC LUMBER	1,045.3 LF		
0044	8867000000-E	SP	GENERIC STRUCTURE ITEM 2" X 6" PLASTIC LUMBER	1,792 LF		
0045	8867000000-E	SP	GENERIC STRUCTURE ITEM 4" X 6" PLASTIC LUMBER	336 LF		
0046	8867000000-E	SP	GENERIC STRUCTURE ITEM 6" X 10" PLASTIC LUMBER	448 LF		
0047	8867000000-E	SP	GENERIC STRUCTURE ITEM BRIDGE JOINT REMOVAL	280.3 LF		
0048	8867000000-E	SP	GENERIC STRUCTURE ITEM CPJACKET (MONITORING)	26 LF		
0049	8867000000-E	SP	GENERIC STRUCTURE ITEM CPJACKET (NON MONITORING)	965 LF		
0050	8867000000-E	SP	GENERIC STRUCTURE ITEM PILE ENCAPSULATION	480 LF		
0051	8867000000-E	SP	GENERIC STRUCTURE ITEM SILICONE JOINT SEALANT	280.3 LF		

County : Carteret

Line #	Item Number	Sec #	Description	Quantity	Unit Cost	Amount
0052	8867000000-E	SP	GENERIC STRUCTURE ITEM TWO BAR METAL RAIL	9,190.6 LF		
0053	8867000000-E	SP	GENERIC STRUCTURE ITEM WIRE ROPE FOR FENDER SYSTEM	3,680 LF		
0054	8881000000-E	SP	GENERIC STRUCTURE ITEM PPC MATERIALS	714.2 CY		
0055	8882000000-E	SP	GENERIC STRUCTURE ITEM PRESTRESSED CONCRETE GIRDER REPAIR	1,100.5 CF		
0056	8889000000-E	SP	GENERIC STRUCTURE ITEM HARDWARE	24,302 LB		
0057	8892000000-E	SP	GENERIC STRUCTURE ITEM EPOXY COATING	18,428.6 SF		
0058	8892000000-E	SP	GENERIC STRUCTURE ITEM FRP STRENGTHENING SYSTEM	511 SF		
0059	8892000000-E	SP	GENERIC STRUCTURE ITEM TSA, FULL LENGTH (MONITORING)	773.8 SF		
0060	8892000000-E	SP	GENERIC STRUCTURE ITEM TSA, FULL LENGTH (NON MONITORING)	45,717.8 SF		
0061	8892000000-E	SP	GENERIC STRUCTURE ITEM TSA, PARTIAL LENGTH (MONITORING)	602.7 SF		
0062	8892000000-E	SP	GENERIC STRUCTURE ITEM TSA, PARTIAL LENGTH (NON MONITORING)	32,398.7 SF		
0063	8893000000-E	SP	GENERIC STRUCTURE ITEM PLACING AND FINISHING PPC OVERLAY	25,722 SY		
0064	8893000000-E	SP	GENERIC STRUCTURE ITEM SCARIFYING BRIDGE DECK	25,722 SY		
0065	8893000000-E	SP	GENERIC STRUCTURE ITEM SHOTBLASTING BRIDGE DECK	25,722 SY		
0066	8897000000-N	SP	GENERIC STRUCTURE ITEM ALTERNATE OUTRIGGER MOUNTING	15 EA		

County : Carteret

Line #	Item Number	Sec #	Description	Quantity	Unit Cost	Amount
0067	8897000000-N	SP	GENERIC STRUCTURE ITEM BRIDGE JACKING	3 EA		
0068	8897000000-N	SP	GENERIC STRUCTURE ITEM BRIDGE JACKING FOR SPAN RE-POSITIONING	2 EA		
0069	8897000000-N	SP	GENERIC STRUCTURE ITEM BRIDGE LIGHT STANDARDS	15 EA		
0070	8897000000-N	SP	GENERIC STRUCTURE ITEM BULK ANODE	156 EA		
0071	8897000000-N	SP	GENERIC STRUCTURE ITEM CLEANING AND PAINTING OF EXISTING BEARINGS WITH HRCSA	590 EA		
0072	8897000000-N	SP	GENERIC STRUCTURE ITEM MAINLAND LIGHT STANDARDS	6 EA		
0073	8897000000-N	SP	GENERIC STRUCTURE ITEM REMOVE LIGHT STANDARD FROM FOUNDATION	5 EA		
0074	8897000000-N	SP	GENERIC STRUCTURE ITEM REMOVE LIGHT STANDARD FOUNDATION	6 EA		
0075	8897000000-N	SP	GENERIC STRUCTURE ITEM REMOVE LIGHT STANDARD FROM OUTRIGGER	15 EA		
0076	8897000000-N	SP	GENERIC STRUCTURE ITEM REPALCEMENT OF BRIDGE BEARINGS, TYPE (P2)	10 EA		
0077	8897000000-N	SP	GENERIC STRUCTURE ITEM REPLACEMENT OF BRIDGE BEARINGS, TYPE (P3)	10 EA		
0078	8897000000-N	SP	GENERIC STRUCTURE ITEM REPLACEMENT OF BRIDGE BEARINGS. TYPE (P1)	8 EA		
0079	8897000000-N	SP	GENERIC STRUCTURE ITEM RESET BEARINGS	3 EA		
0080	8897000000-N	SP	GENERIC STRUCTURE ITEM ROADWAY LIGHT STANDARD LUMINAIRE-220W LED	21 EA		

County : Carteret

Line #	Item Number	Sec #	Description	Quantity	Unit Cost	Amount
0081	8897000000-N	SP	GENERIC STRUCTURE ITEM SPAN RE-POSITIONING	2 EA		
0082	8897000000-N	SP	GENERIC STRUCTURE ITEM SPlicing OF PRESTRESSING STRAND	40 EA		
0083	8897000000-N	SP	GENERIC STRUCTURE ITEM STANDARD FOUNDATION, TYPE R1	4 EA		
0084	8897000000-N	SP	GENERIC STRUCTURE ITEM STANDARD FOUNDATION, TYPE R2	2 EA		

1544/Mar16/Q558099.2/D590812210000/E84

Total Amount Of Bid For Entire Project :

TOTAL BILL OF MATERIAL

BRIDGE	MOBILIZATION	POLLUTION CONTROL	TWO BAR METAL RAIL	REMOVE & RESET EXISTING GUARDRAIL	GUARDRAIL ANCHOR UNITS, TYPE III	SHOTCRETE REPAIRS	EPOXY RESIN INJECTION	PAINTING CONTAINMENT	CP JACKET (NON-MONITORING)	CP JACKET (MONITORING)	PRESTRESSED CONCRETE GIRDER REPAIR	EPOXY COATING	TSA, PARTIAL LENGTH (MONITORING)	TSA, PARTIAL LENGTH (NON-MONITORING)	FRP STRENGTHENING SYSTEM	CLEANING AND PAINTING OF BEARINGS WITH HRCSA	SPLICING OF PRESTRESSING STRAND	RESET BEARINGS	BRIDGE JACKING	BULK ANODE
CARTERET #6	LUMP SUM	LS	LF	LF	EACH	CF	LF	LUMP SUM	LF	LF	CF	SF	SF	SF	SF	EACH	EACH	EACH	EACH	EACH
TOTAL	LUMP SUM	LS	9,190.6	912.5	4	859.4	118	LUMP SUM	965	26	219.9	2813.6	209.3	19348	560	590	20	3	3	156

PROJECT NO. B-5939
CARTERET COUNTY
 BRIDGE NO. 6



Designed by:
Greg Dickey
 4/10/2017

STATE OF NORTH CAROLINA
 DEPARTMENT OF TRANSPORTATION
 RALEIGH

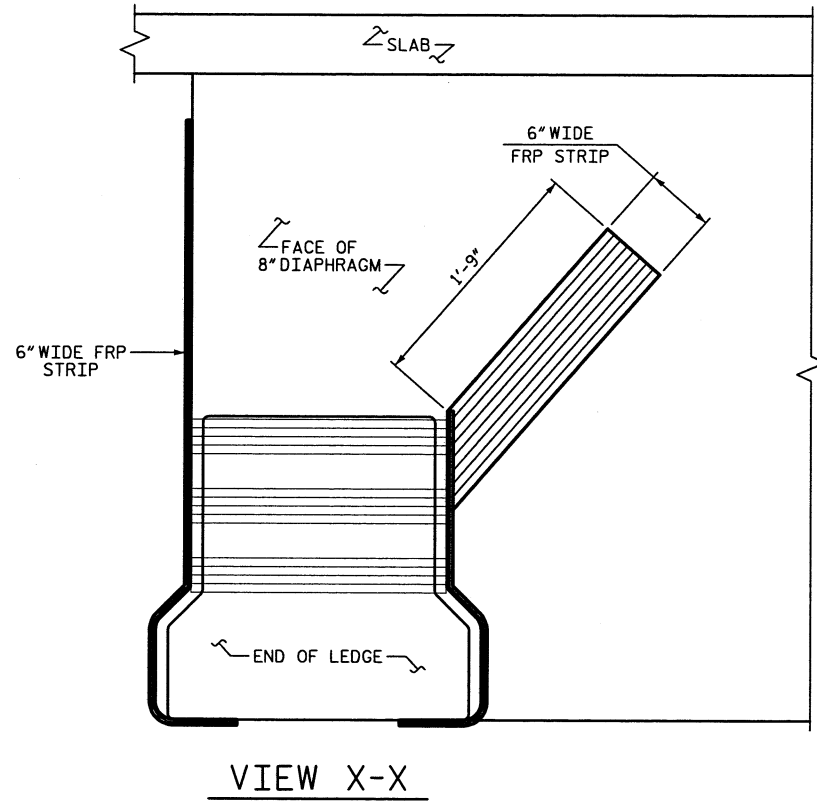
TOTAL BILL OF MATERIAL

DRAWN BY : M.A.LEE DATE : 2/2017
 CHECKED BY : G.W.DICKEY DATE : 2/2017

DOCUMENT NOT CONSIDERED
 FINAL UNLESS ALL
 SIGNATURES COMPLETED

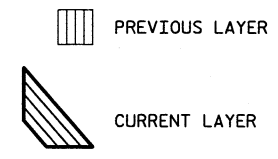
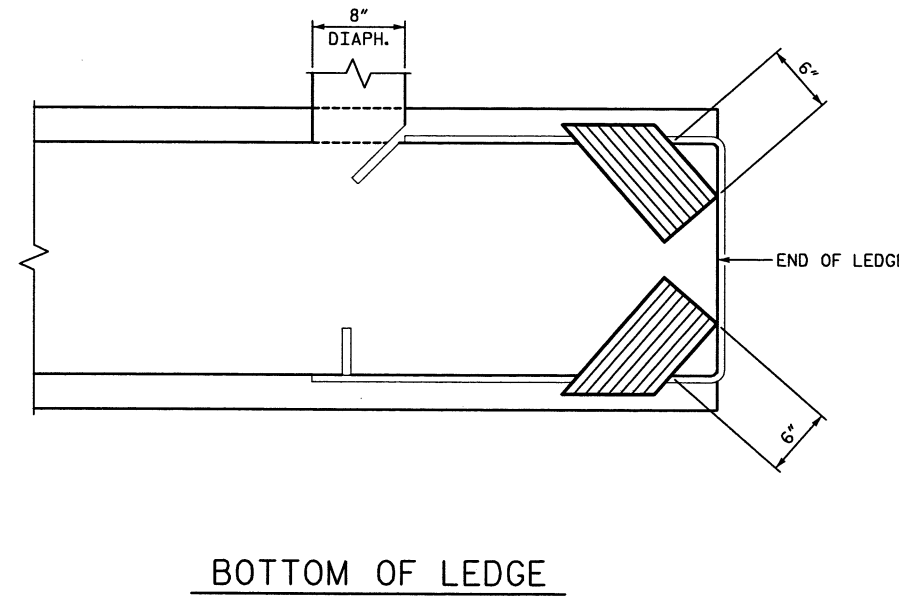
REVISIONS						SHEET NO.
NO.	BY:	DATE:	NO.	BY:	DATE:	S2-1
1			3			TOTAL SHEETS
2			4			

NOTES:
LAYER 1 NOT SHOWN FOR CLARITY.



BILL OF MATERIAL		
	INTERIOR GIRDER	EXTERIOR GIRDER
	SF	SF
LAYER 1	206	85
LAYER 2	124	58
LAYER 3	59	28
TOTAL	389	171
** FRP STRENGTHENING SYSTEM		560 SF

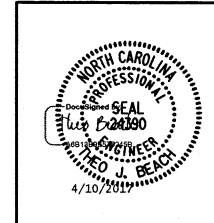
** QUANTITIES INCLUDED BOTH HINGE LOCATIONS FOR ALL INTERIOR AND EXTERIOR GIRDERS



PROJECT NO. B-5939
CARTERET COUNTY
BRIDGE NO.: 6

SHEET 15 OF 15

PLANS PREPARED BY:
SIMPSON & ASSOCIATES
5640 Dillard Drive
Suite 200
Cary, NC 27518
(919) 852-0468
(919) 852-0598 (Fax)
www.simpsonengr.com
LICENSURE NO. C-2521



STATE OF NORTH CAROLINA
DEPARTMENT OF TRANSPORTATION
RALEIGH
PRESERVATION
FRP STRIPS LAYER 3
FOR
EXTERIOR GIRDERS
FRP HINGE REPAIR

REVISIONS						SHEET NO.
NO.	BY:	DATE:	NO.	BY:	DATE:	S2-60
1			3			TOTAL SHEETS
2			4			

DOCUMENT NOT CONSIDERED FINAL
UNLESS ALL SIGNATURES COMPLETED

4/10/2017 8:07:16 AM G:\Projects\2015\Carteret 6 FRP Repair\Structures\Drawings\Final\Carteret 6_smu_repairs.dgn

DRAWN BY: T. BANKOVICH DATE: 4-16
CHECKED BY: N.J. MABRY DATE: 4-16
DESIGN ENGINEER OF RECORD: T.J. BEACH DATE: 4-16