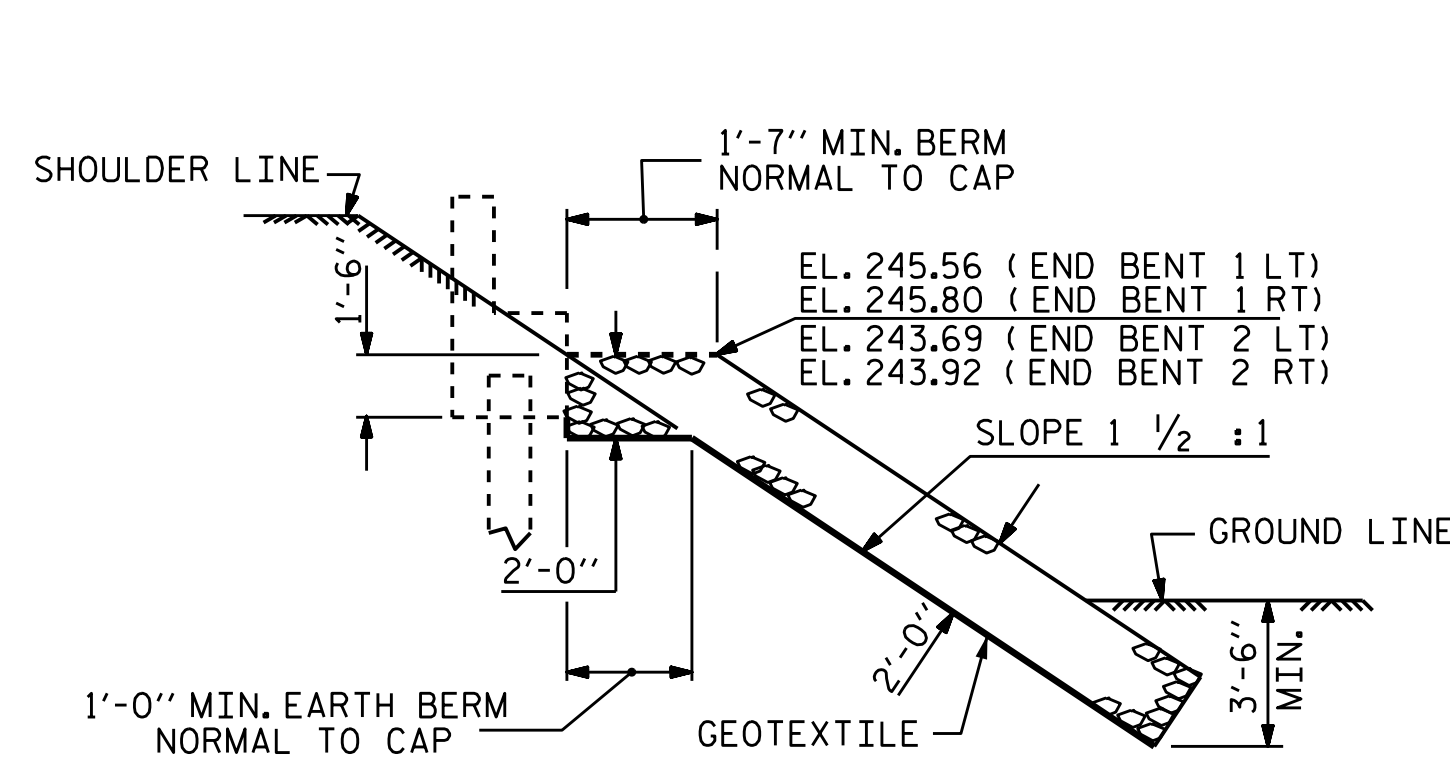
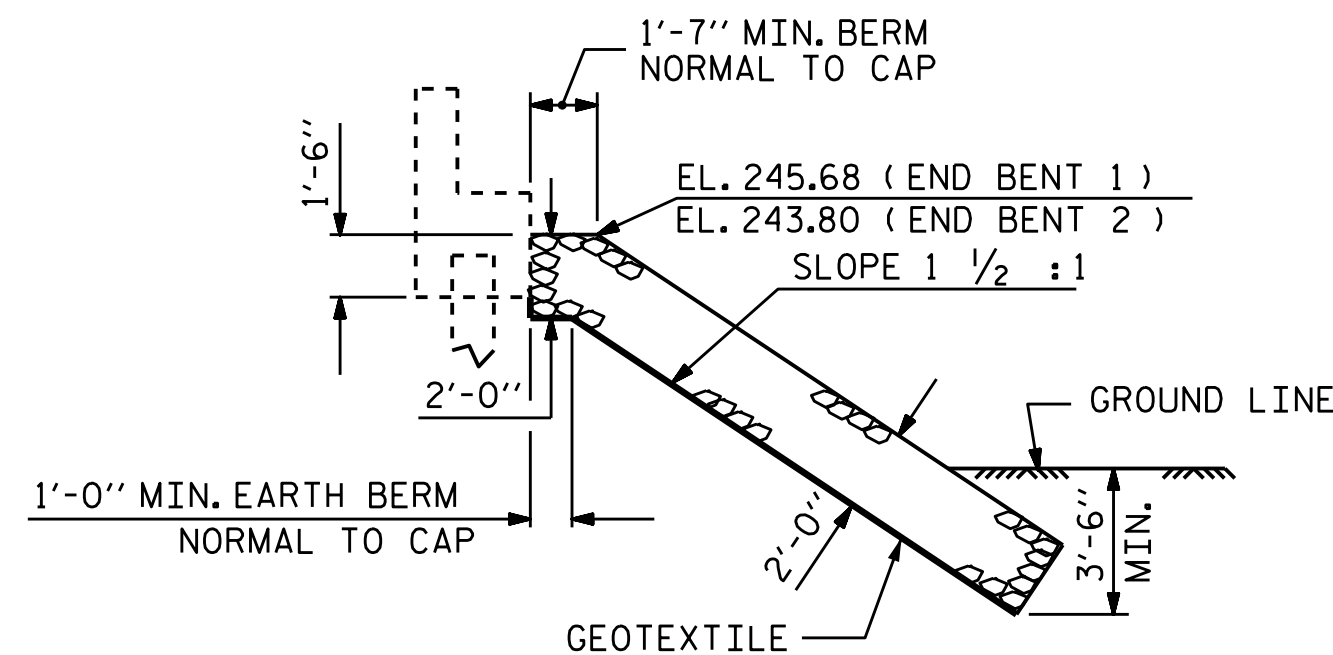


PLAN OF RIP RAP

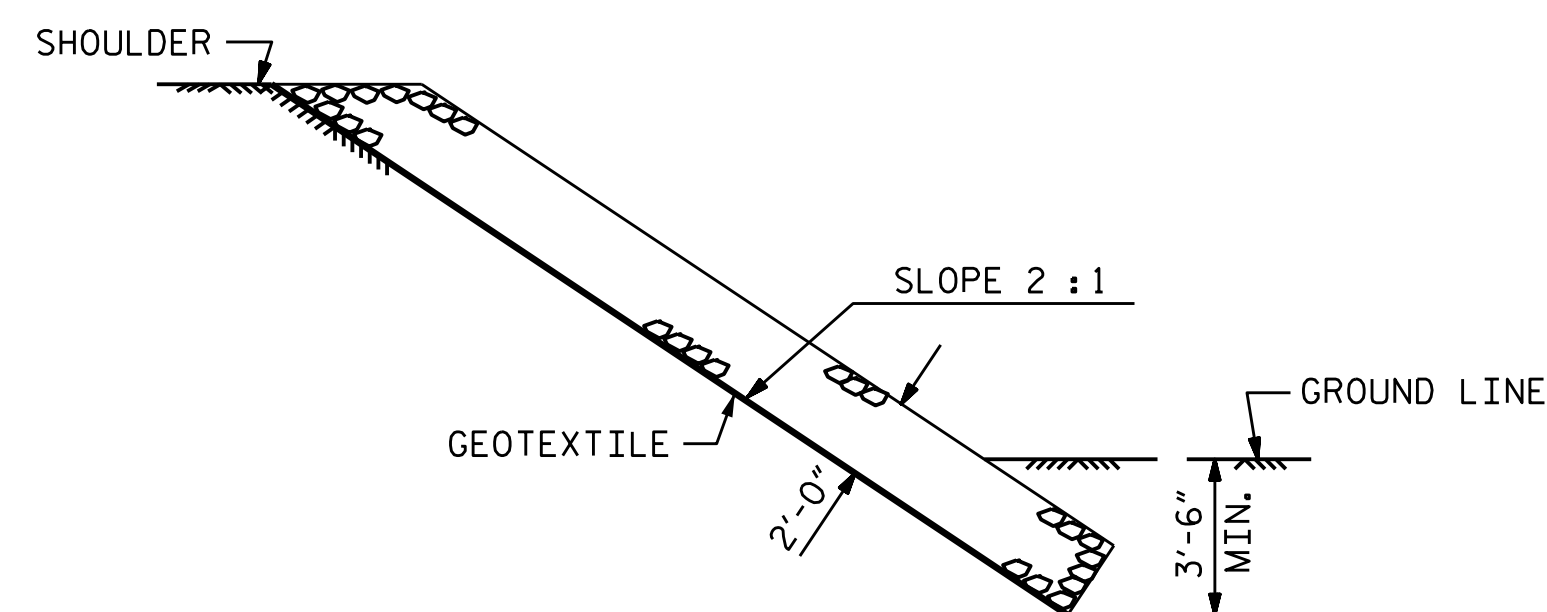
ESTIMATED QUANTITIES		
BRIDGE @ STA. 18+35.50 -L-	RIP RAP CLASS II (2'-0" THICK)	GEOTEXTILE FOR DRAINAGE
	TONS	SQUARE YARDS
END BENT 1	85	95
END BENT 2	55	60



SECTION H-H

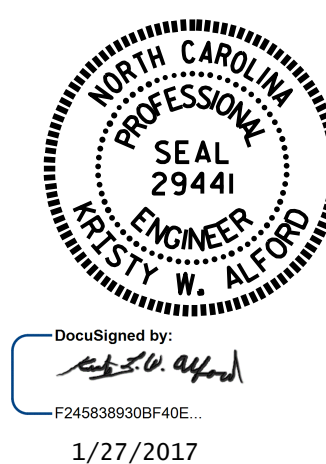


SECTION C-C  
BERM RIP RAPPED



VIEW C-C

PROJECT NO. B-4655  
WAKE COUNTY  
 STATION: 18+35.50 -L-



STATE OF NORTH CAROLINA  
 DEPARTMENT OF TRANSPORTATION  
 RALEIGH  
 STANDARD  
 —RIP RAP DETAILS—

ASSEMBLED BY : M.M. AHMED	DATE : 10-12-16
CHECKED BY : J.P. ADAMS	DATE : 10-28-16
DRAWN BY : REK 1/84	REV. 5/1/06R TLA/GM
CHECKED BY : ROU 1/84	REV. 10/1/11 MAA/GM
	REV. 12/21/11 MAA/GM

DOCUMENT NOT CONSIDERED  
 FINAL UNLESS ALL  
 SIGNATURES COMPLETED

REVISIONS						SHEET NO.
NO.	BY:	DATE:	NO.	BY:	DATE:	S-17
1			3			TOTAL SHEETS
2			4			18