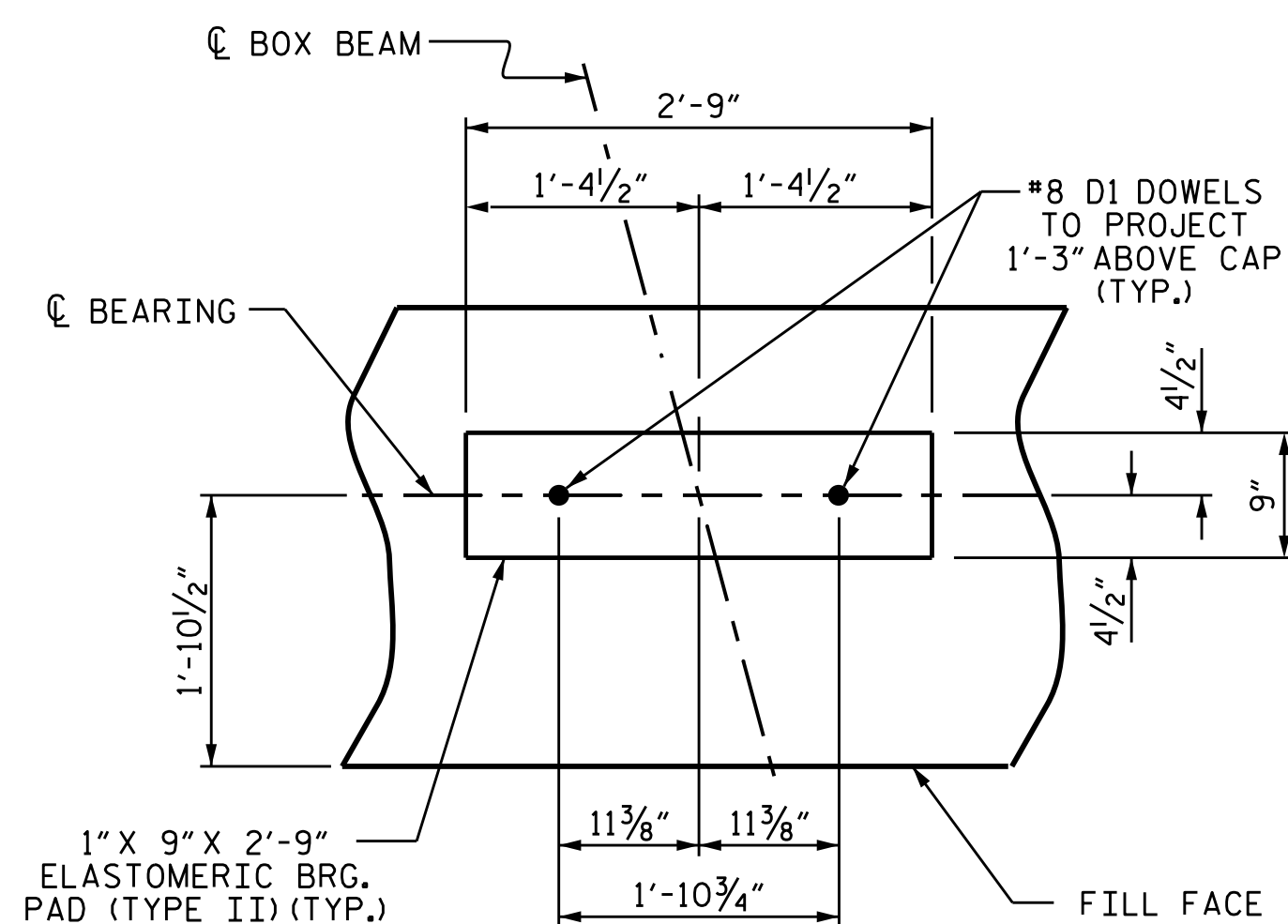


BAGGED STONE AND PIPE SHALL BE PLACED IMMEDIATELY AFTER COMPLETION OF END BENT EXCAVATION. PIPE MAY BE EITHER CONCRETE, CORRUGATED STEEL, CORRUGATED ALUMINUM ALLOY, OR CORRUGATED PLASTIC. PERFORATED PIPE WILL NOT BE ALLOWED.

BAGGED STONE SHALL REMAIN IN PLACE UNTIL THE ENGINEER DIRECTS THAT IT BE REMOVED. THE CONTRACTOR SHALL REMOVE AND DISPOSE OF SILT ACCUMULATIONS AT BAGGED STONE WHEN SO DIRECTED BY THE ENGINEER. BAGS SHALL BE REMOVED AND REPLACED WHENEVER THE ENGINEER DETERMINES THAT THEY HAVE DETERIORATED AND LOST THEIR EFFECTIVENESS.

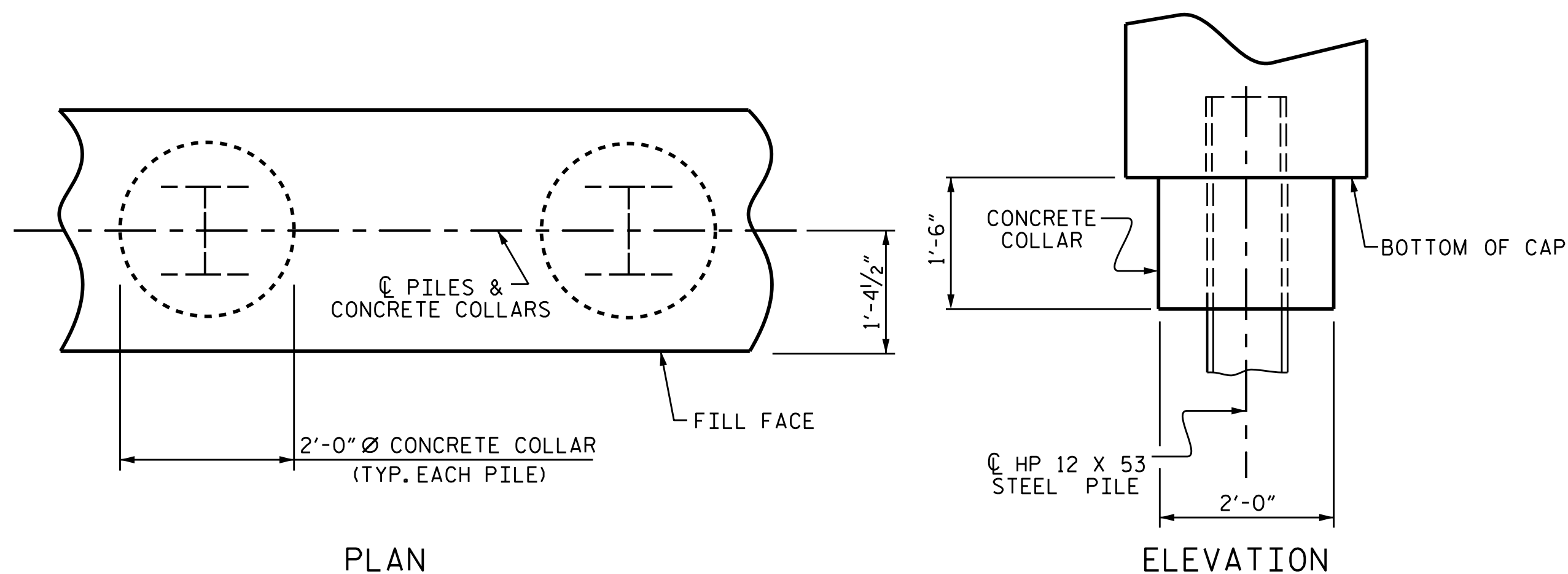
NO SEPARATE PAYMENT WILL BE MADE FOR THIS WORK AND THE ENTIRE COST OF THIS WORK SHALL BE INCLUDED IN THE UNIT CONTRACT PRICE BID FOR THE SEVERAL PAY ITEMS.

TEMPORARY DRAINAGE AT END BENT



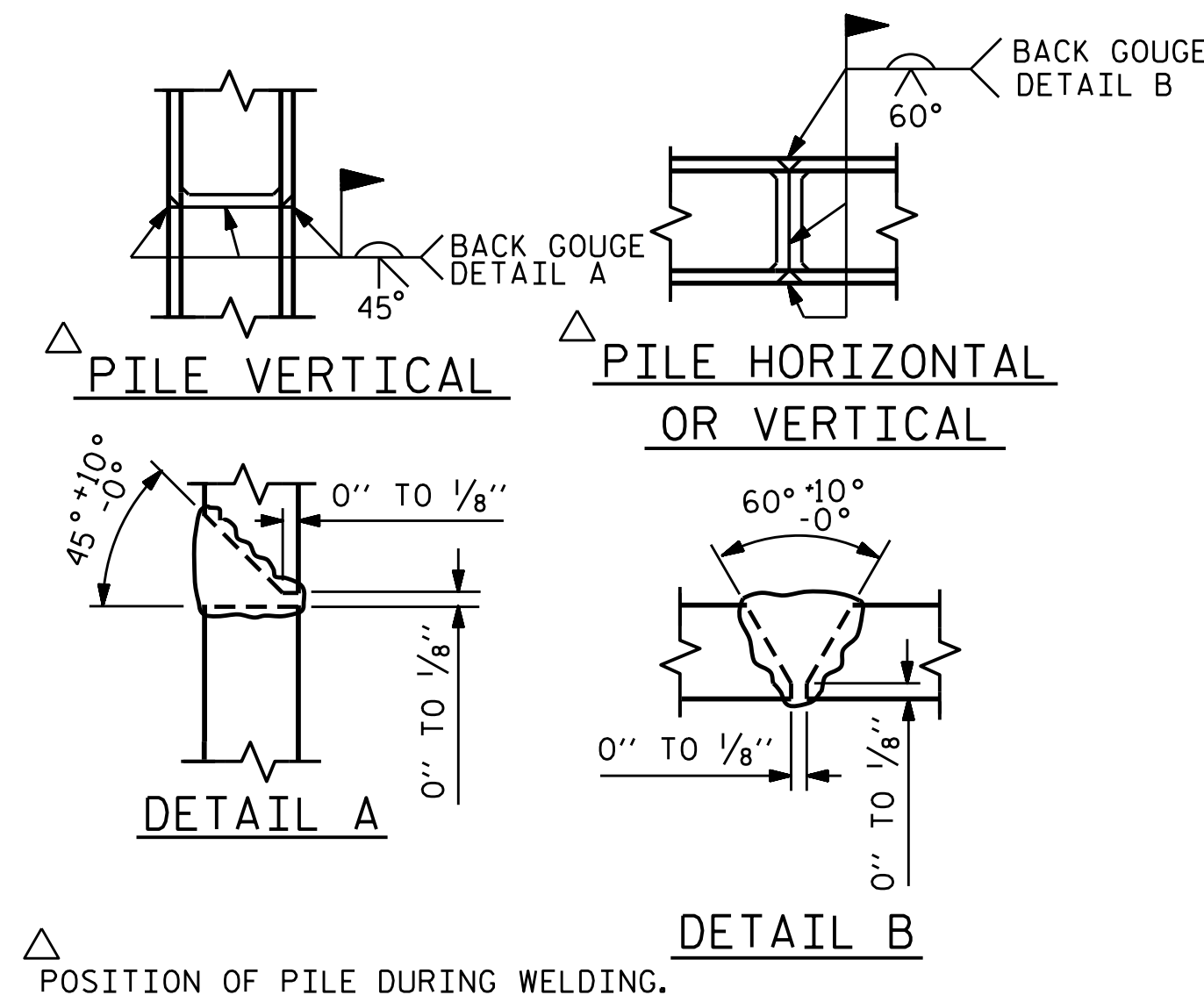
DETAIL "A"

(END BENT 1 SHOWN, END BENT 2 SIMILAR BY ROTATION)

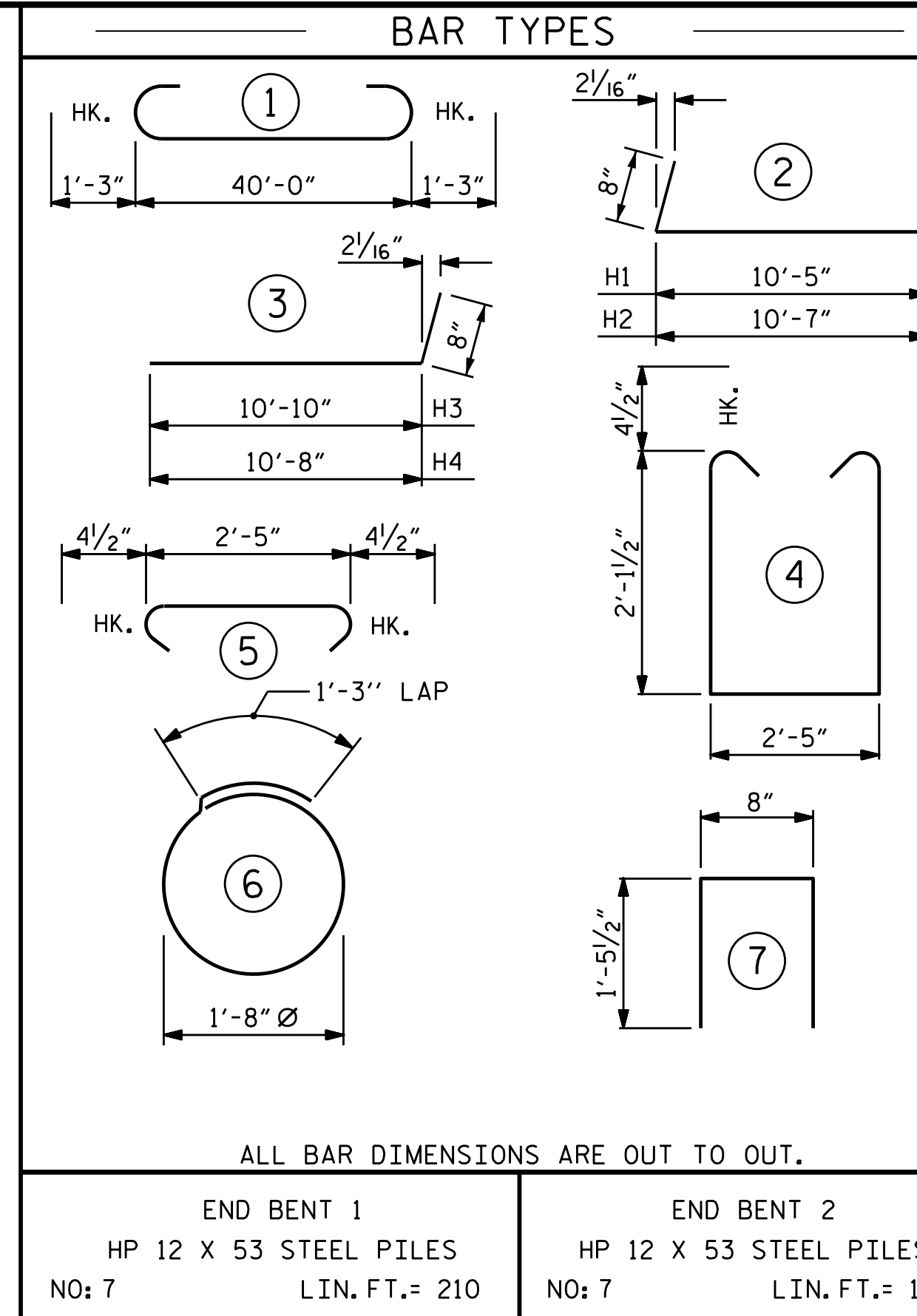


CORROSION PROTECTION FOR STEEL PILES DETAIL

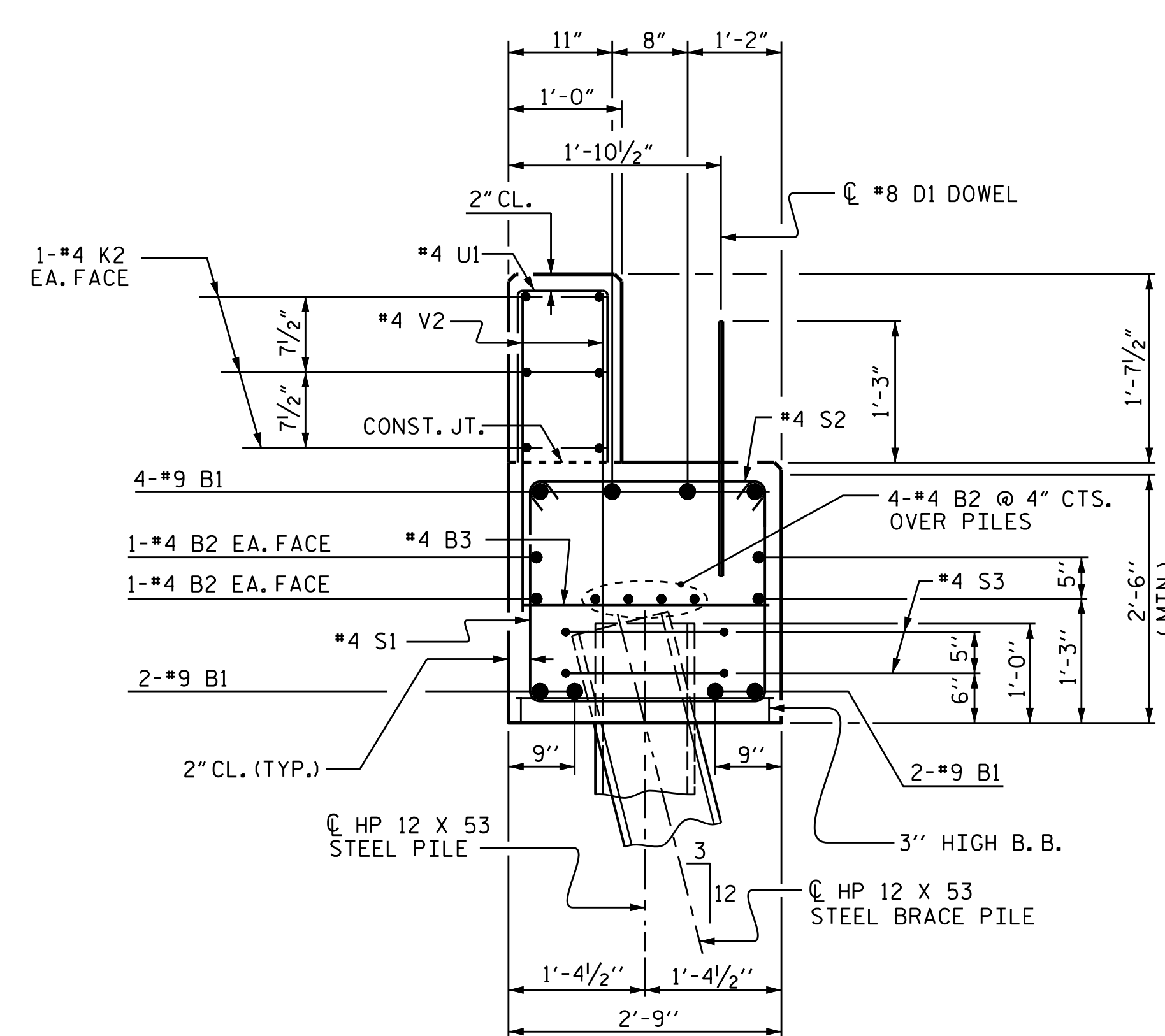
(END BENT No. 1 SHOWN, END BENT No. 2 SIMILAR BY ROTATION)



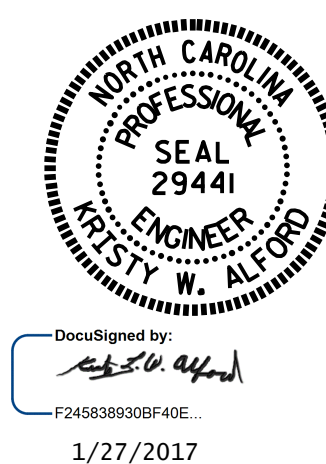
PILE SPLICE DETAILS



BILL OF MATERIAL FOR ONE END BENT					
BAR NO.	NO.	SIZE	TYPE	LENGTH	WEIGHT
B1	8	#9	1	42'-6"	1156
B2	16	#4	STR	21'-4"	228
B3	10	#4	STR	2'-5"	16
D1	22	#8	STR	2'-3"	132
H1	10	#5	2	11'-1"	116
H2	10	#5	2	11'-3"	117
H3	10	#5	3	11'-6"	120
H4	10	#5	3	11'-4"	118
K1	12	#4	STR	3'-1"	25
K2	12	#4	STR	21'-4"	171
S1	52	#4	4	7'-5"	258
S2	52	#4	5	3'-2"	110
S3	14	#4	6	6'-6"	61
U1	34	#4	7	3'-7"	81
V1	61	#4	STR	5'-8"	231
V2	68	#4	STR	3'-9"	170
REINFORCING STEEL (FOR ONE END BENT)					3110 LBS.
CLASS A CONCRETE BREAKDOWN (FOR ONE END BENT)					
POUR #1 CAP, LOWER PART OF WINGS & COLLARS					13.2 C.Y.
POUR #2 BACKWALL & UPPER PART OF WINGS					5.6 C.Y.
TOTAL CLASS A CONCRETE					18.8 C.Y.



(CONCRETE COLLAR NOT SHOWN FOR CLARITY. SEE "CORROSION PROTECTION FOR STEEL PILES DETAIL.")



PROJECT NO. B-4655
WAKE COUNTY
STATION: 18+35.50 -L-
SHEET 4 OF 4

STATE OF NORTH CAROLINA
DEPARTMENT OF TRANSPORTATION
RALEIGH
SUBSTRUCTURE
END BENT 1 & 2
DETAILS

ASSEMBLED BY : M.M. AHMED	DATE : 10-7-16
CHECKED BY : J.P. ADAMS	DATE : 10/28/16
DRAWN BY : WJH	12/11
CHECKED BY : AAC	12/11
REV. 8/14	MAA/TMG

DOCUMENT NOT CONSIDERED FINAL UNLESS ALL SIGNATURES COMPLETED

REVISIONS						SHEET NO.
NO.	BY:	DATE:	NO.	BY:	DATE:	S-16
1			3			TOTAL SHEETS 18
2			4			