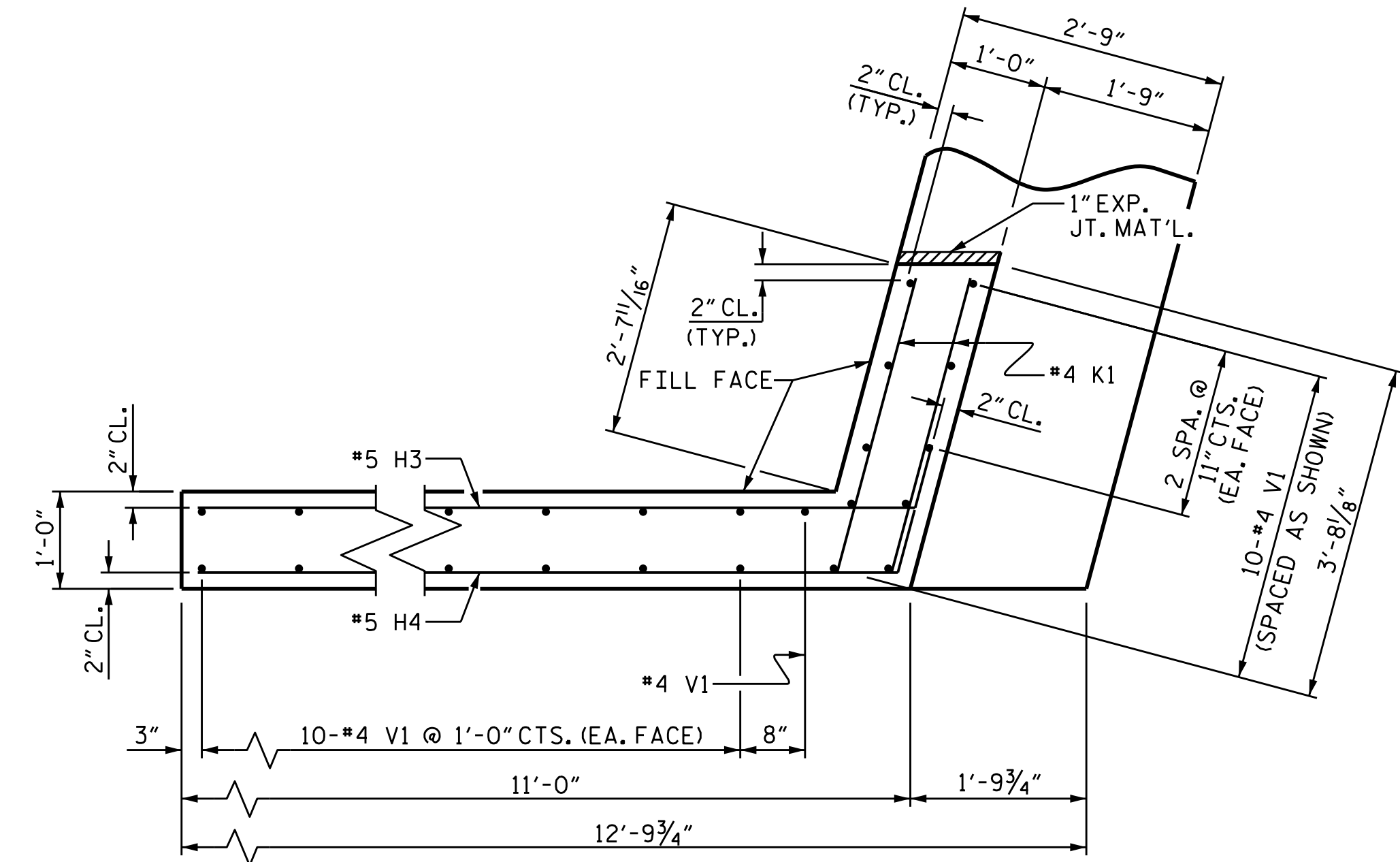
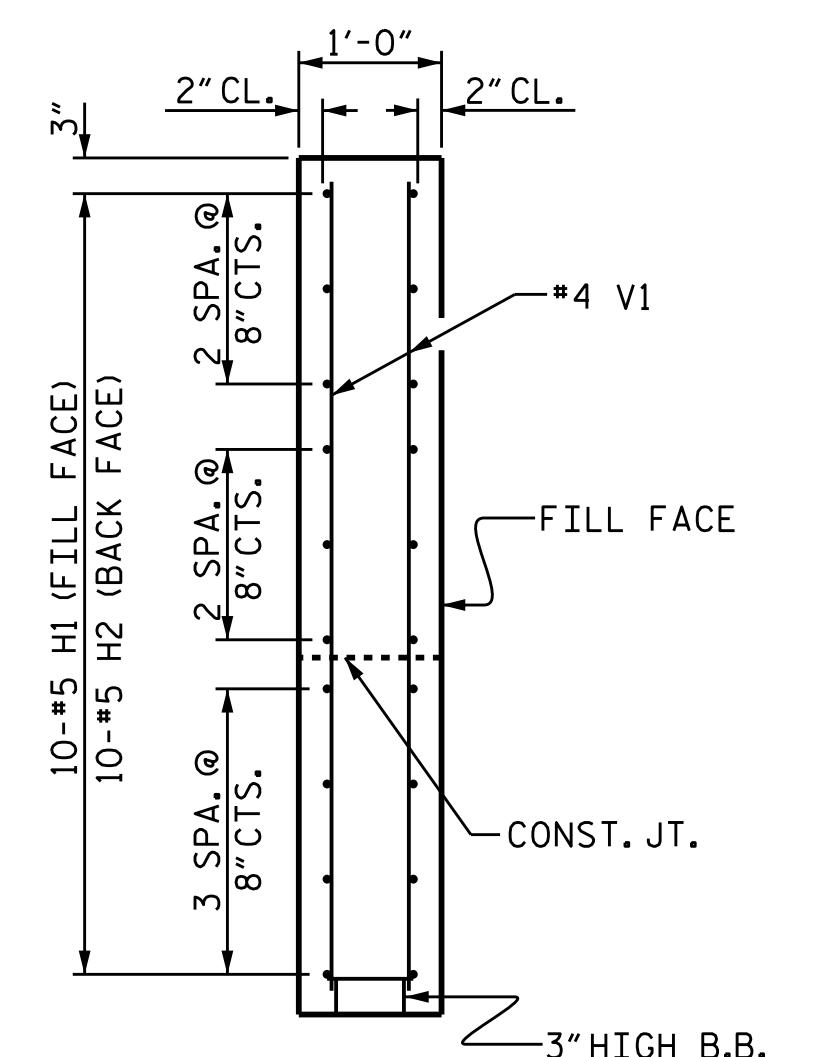


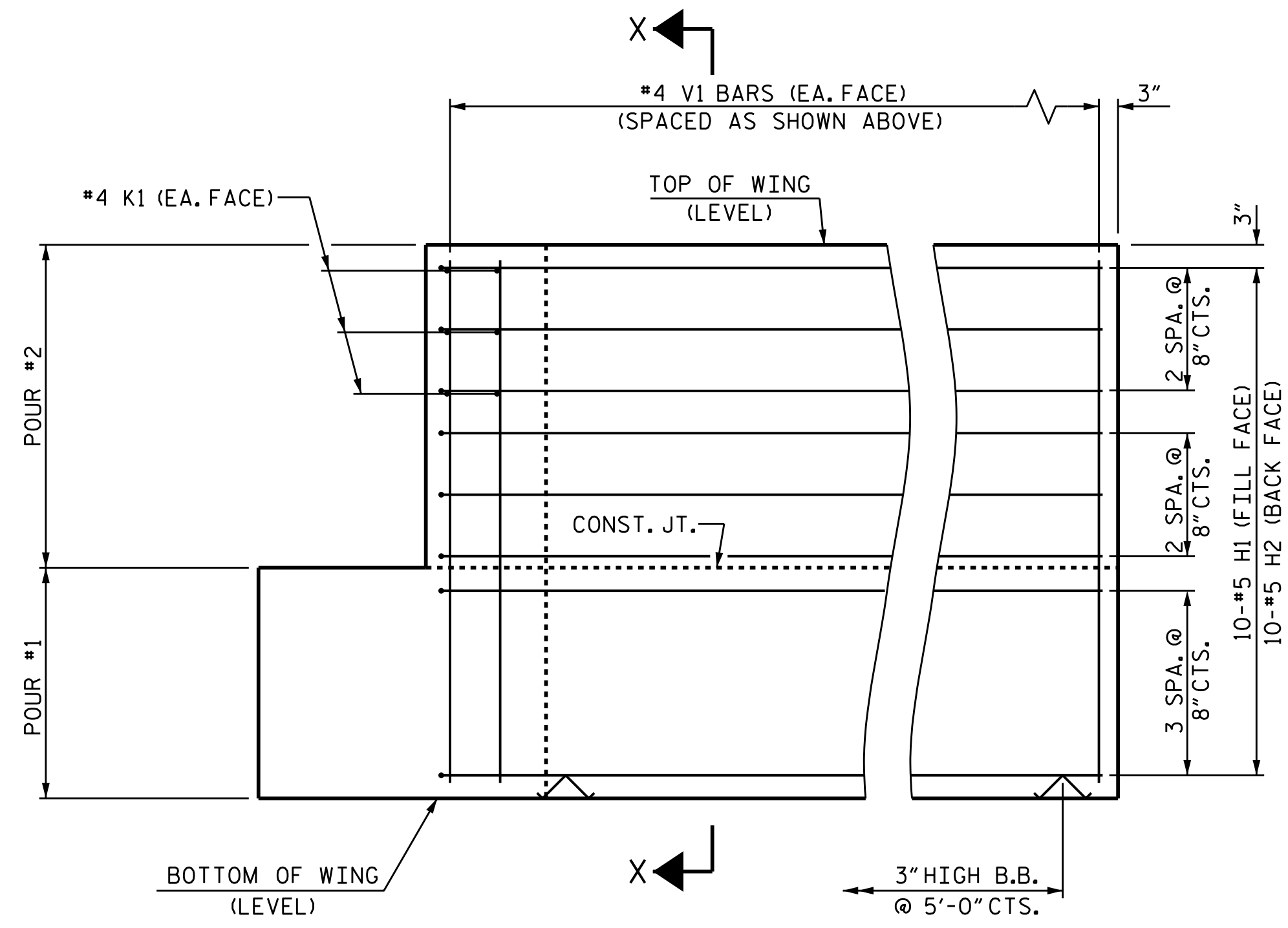
PLAN OF WING (W1)



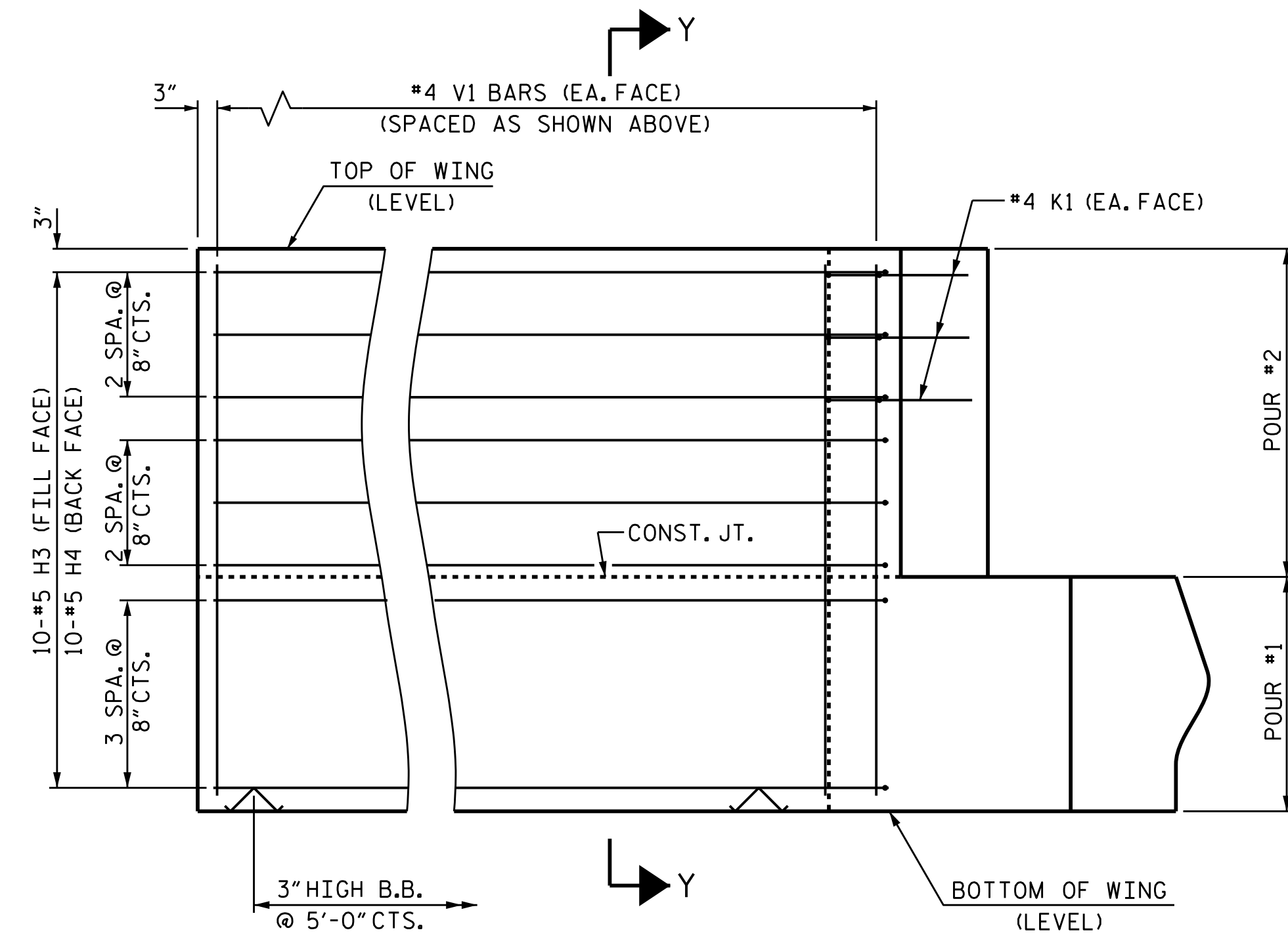
PLAN OF WING (W2)



SECTION X-X

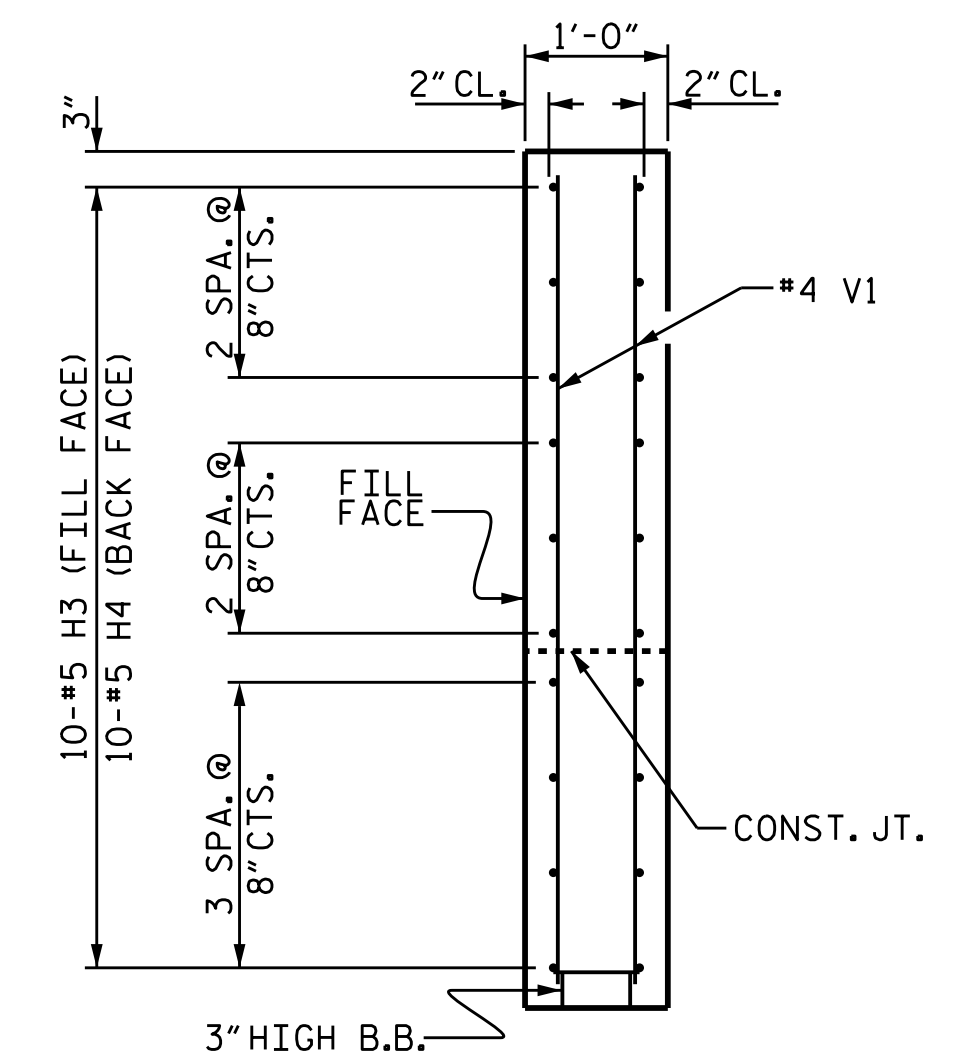


ELEVATION OF WING (W1)



ELEVATION OF WING (W2)

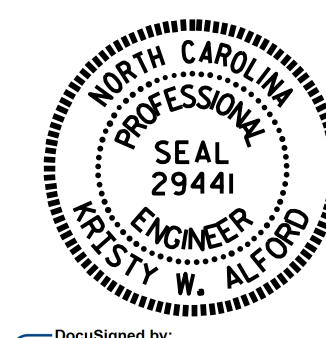
WING DETAILS



SECTION Y-Y

PROJECT NO. B-4655
 WAKE COUNTY
 STATION: 18+35.50 -L-

SHEET 3 OF 4



DocuSigned by:
 Westy W. Alford
 1/27/2017

STATE OF NORTH CAROLINA
 DEPARTMENT OF TRANSPORTATION
 RALEIGH

SUBSTRUCTURE
 END BENT
 WING DETAILS

ASSEMBLED BY : M.M. AHMED	DATE : 10-6-16
CHECKED BY : J.P. ADAMS	DATE : 10-28-16
DRAWN BY : WJH 12/11	REV. 4/15
CHECKED BY : AAC 12/11	MAA/TMG

DOCUMENT NOT CONSIDERED
 FINAL UNLESS ALL
 SIGNATURES COMPLETED

REVISIONS						SHEET NO.	
NO.	BY:	DATE:	NO.	BY:	DATE:	S-15	
1			3			TOTAL SHEETS 18	
2			4				

27-JAN-2017 06:51
 R:\Structures\Plans\Final Plans\B4655.SMU.Final.dgn
 kaiford