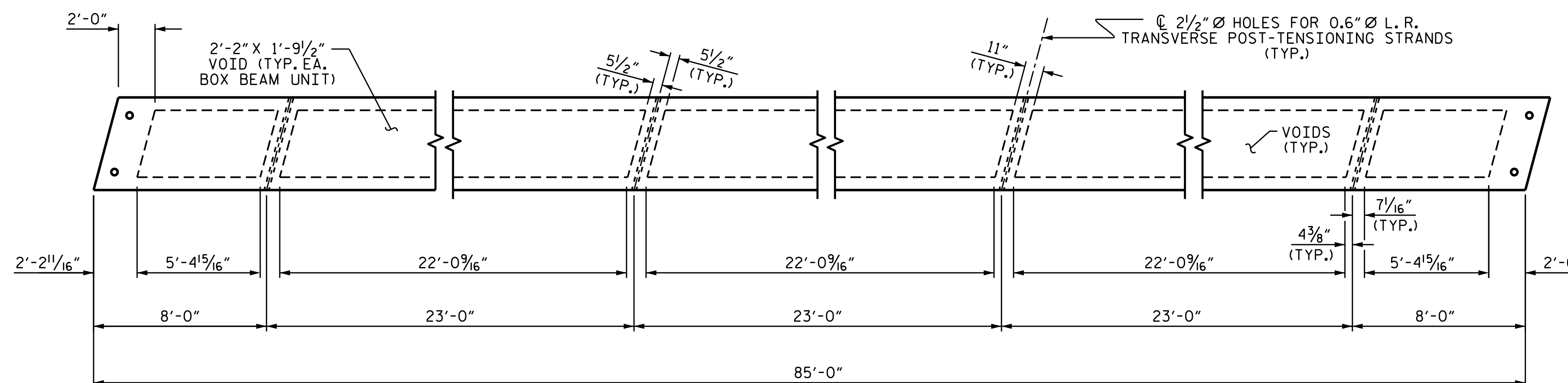


PLAN OF SPAN A

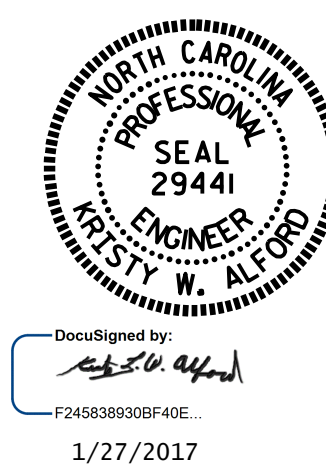


DIAPHRAGM AND VOID LAYOUT

PROJECT NO. B-4655  
WAKE COUNTY  
 STATION: 18+35.50 -L-  
 SHEET 2 OF 5

STATE OF NORTH CAROLINA  
 DEPARTMENT OF TRANSPORTATION  
 RALEIGH

PLAN OF 85' UNIT  
 30'-6" CLEAR ROADWAY  
 105° SKEW



ASSEMBLED BY : M.M. AHMED DATE : 9-27-16  
 CHECKED BY : J.P. ADAMS DATE : 10-26-16  
 DRAWN BY : DGE 8/11 REV. 8/14 MAA/TMG  
 CHECKED BY : TMG 11/11

DOCUMENT NOT CONSIDERED  
 FINAL UNLESS ALL  
 SIGNATURES COMPLETED

REVISIONS						SHEET NO.
NO.	BY:	DATE:	NO.	BY:	DATE:	S-5
1			3			TOTAL SHEETS 18
2			4			