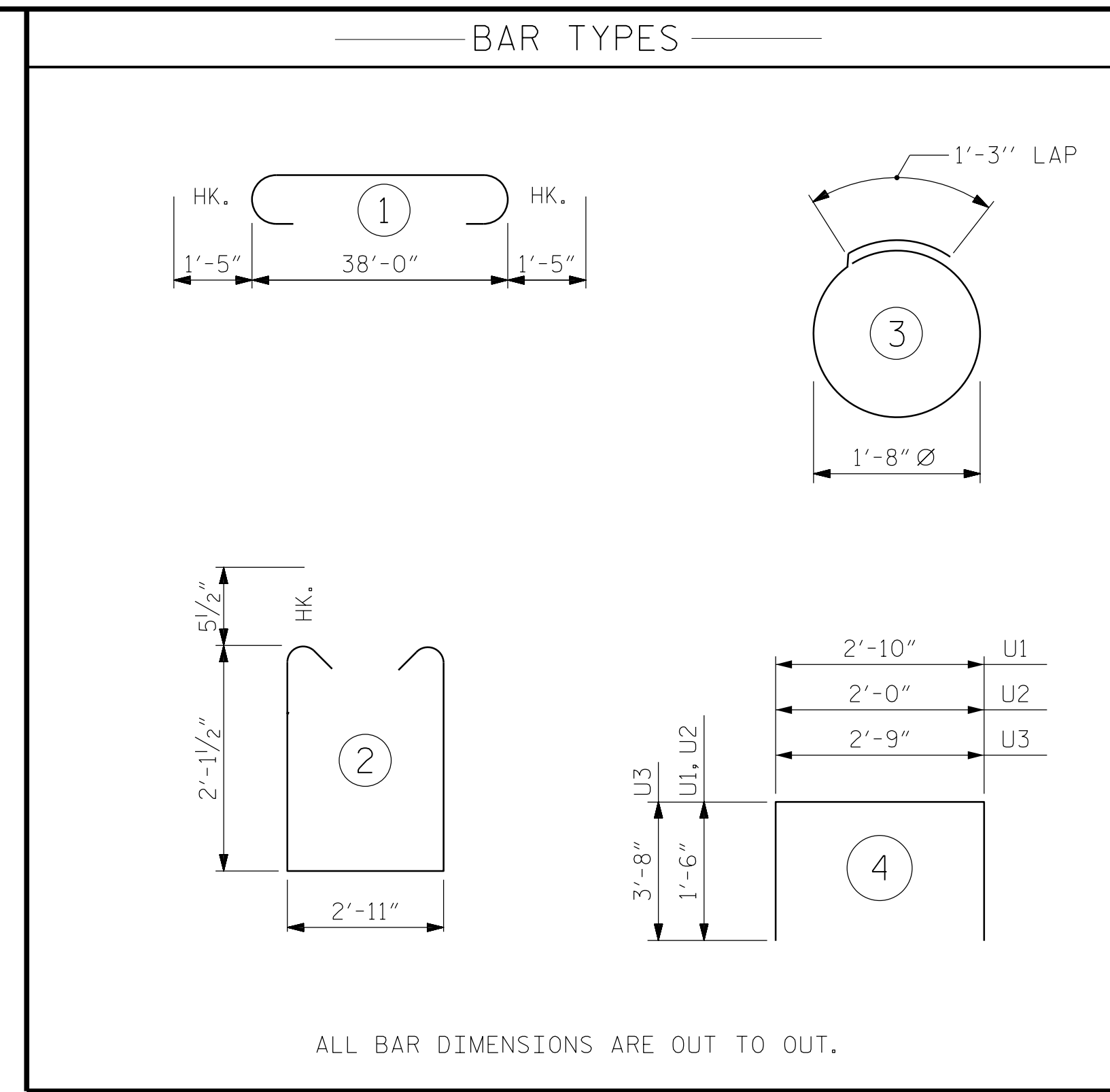


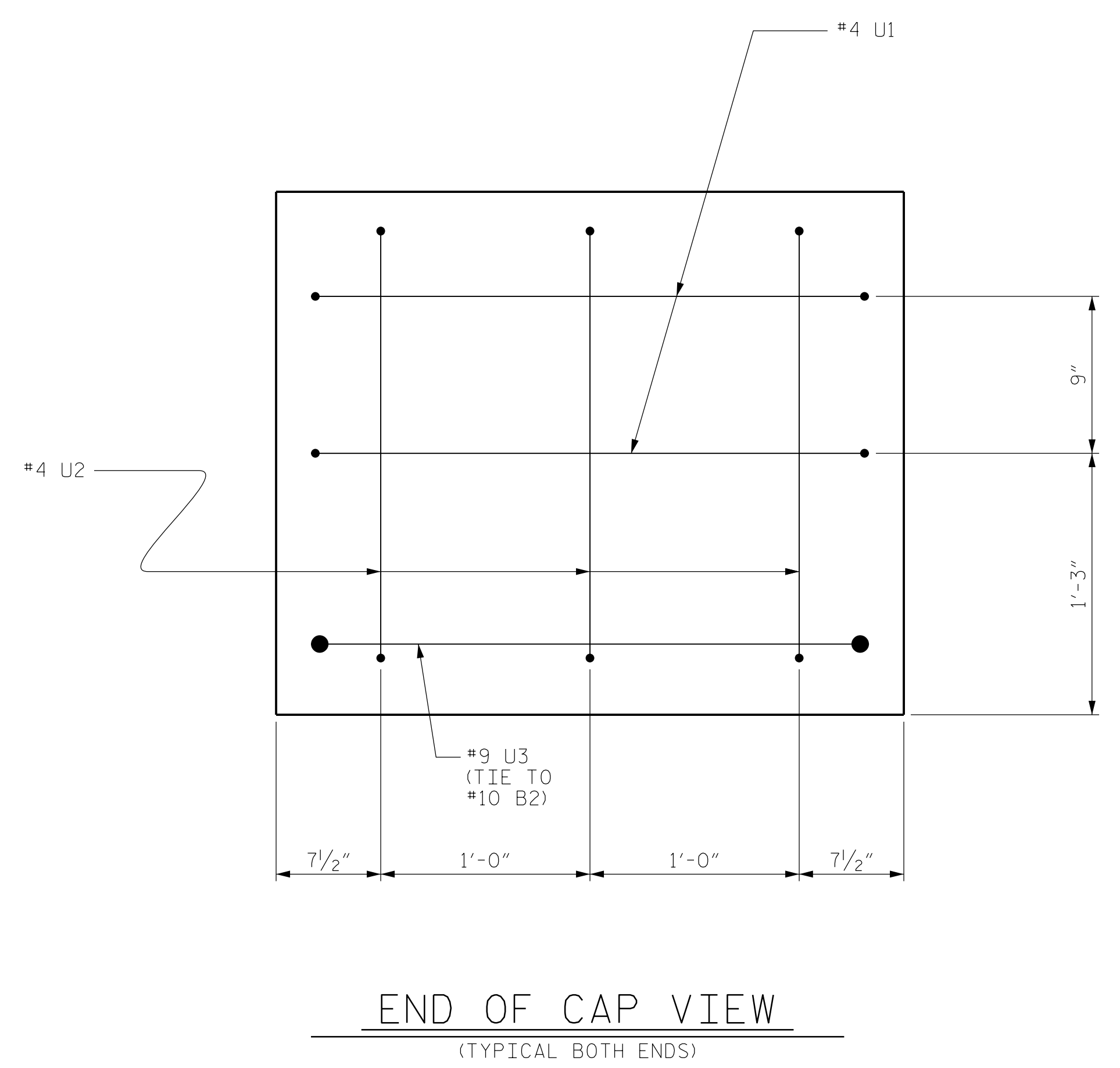
PILE SPLICE DETAILS

SCALE - 3/4" = 1'-0"

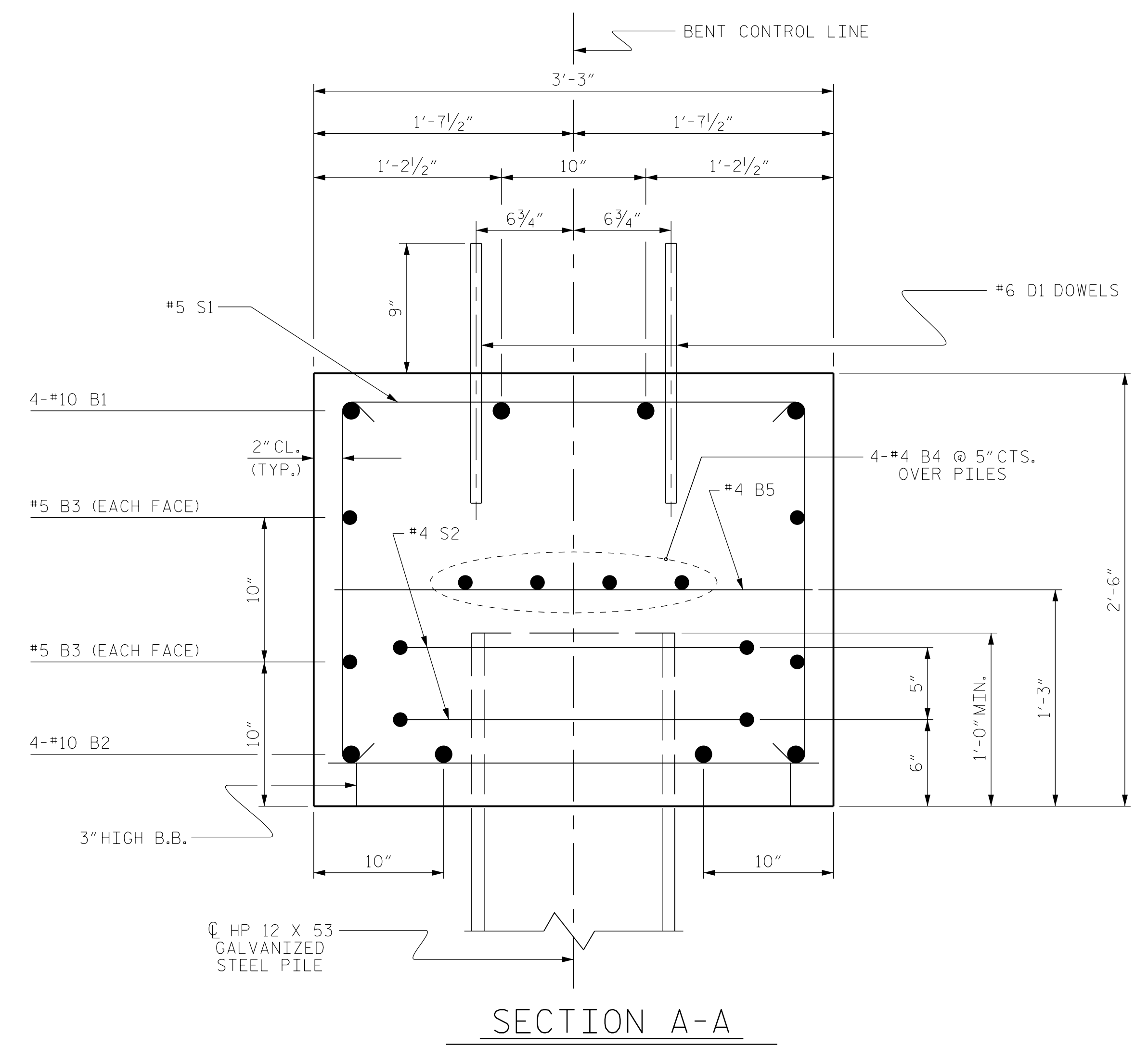


ALL BAR DIMENSIONS ARE OUT TO OUT.

BILL OF MATERIAL FOR ONE BENT					
BAR	NO.	SIZE	TYPE	LENGTH	WEIGHT
B1	4	#10	1	40'-10"	703
B2	4	#10	STR	38'-2"	657
B3	4	#5	STR	38'-2"	159
B4	8	#4	STR	20'-4"	109
B5	10	#4	STR	2'-11"	19
D1	48	#6	STR	1'-6"	108
S1	44	#5	2	8'-1"	371
S2	14	#4	3	6'-6"	61
U1	4	#4	4	5'-10"	16
U2	6	#4	4	5'-0"	20
U3	2	#9	4	10'-1"	69
REINFORCING STEEL (FOR ONE BENT)					2292 LBS.
CLASS A CONCRETE BREAKDOWN (FOR ONE BENT)					
TOTAL CLASS A CONCRETE					11.6 C.Y.
HP 12 X 53 GALVANIZED STEEL PILES (FOR BENT No. 1)					
No. 7					LIN. FT. 357
HP 12 X 53 GALVANIZED STEEL PILES (FOR BENT No. 2)					
No. 7					LIN. FT. 427



END OF CAP VIEW
(TYPICAL BOTH ENDS)



SECTION A-A

PROJECT NO. B-5333
ROBESON COUNTY
 STATION: 37+28.50 -L-
 SHEET 3 OF 3 BRIDGE NO. 174

Dewberry
 2610 WYCLIFF ROAD
 SUITE 410
 RALEIGH, NC 27607
 PHONE: 919.881.9939
 NC COA No. F-0929

SEAL 032076
 NORTH CAROLINA PROFESSIONAL ENGINEER
 JENNIFER R. McROY
 12/9/2016

DocuSigned by:
 Jennifer R. McRoy
 E114C791298475

REVISIONS					SHEET No.
No.	BY:	DATE:	No.	BY:	DATE:
1			3		
2			4		

TOTAL SHEETS 23

12/9/2016 8:51:56 AM J:\4_BENTDTLS.dgn
 USER: jrmr04

DRAWN BY : MTB DATE : 04/16
 CHECKED BY : JRM DATE : 04/16