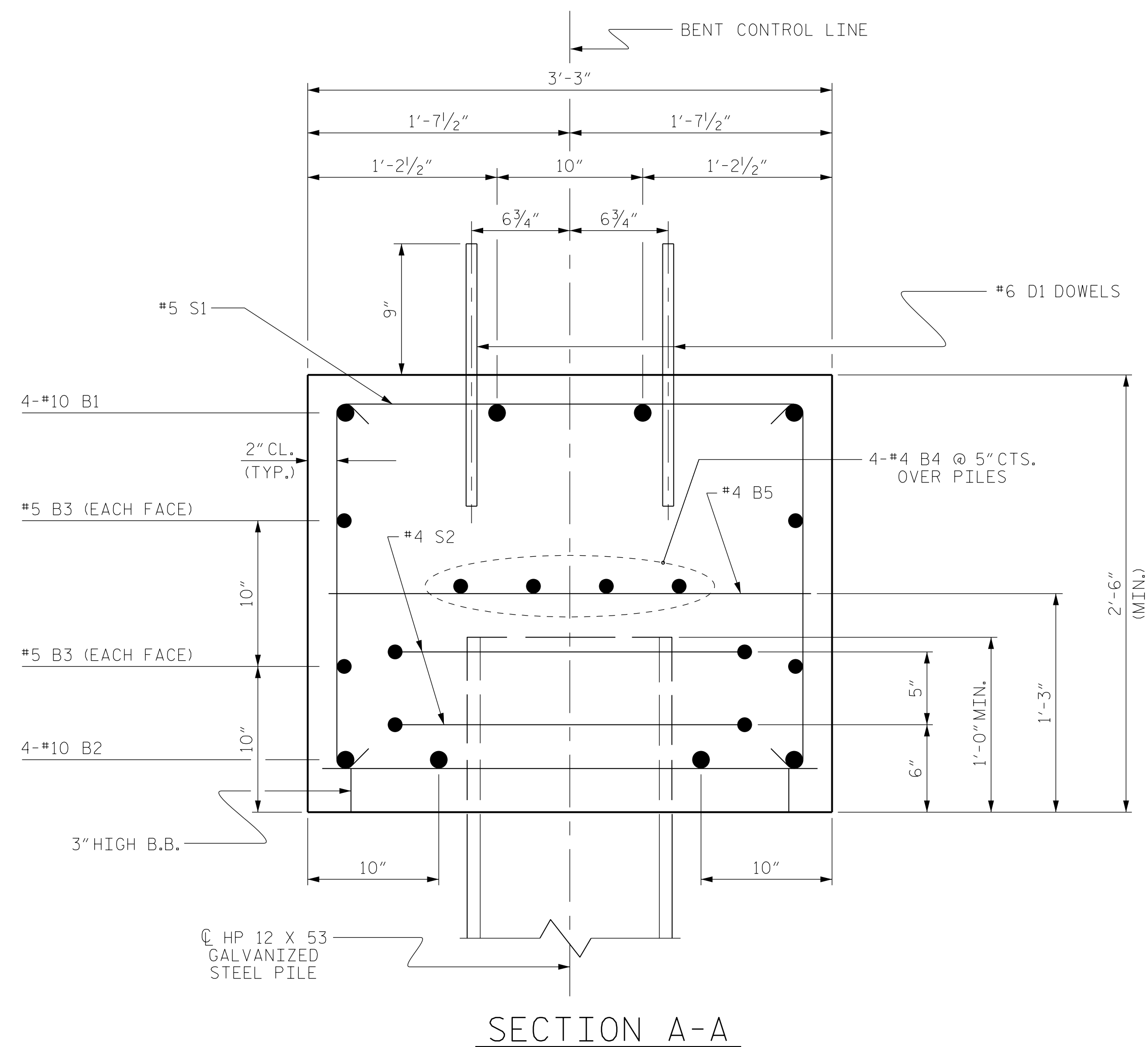
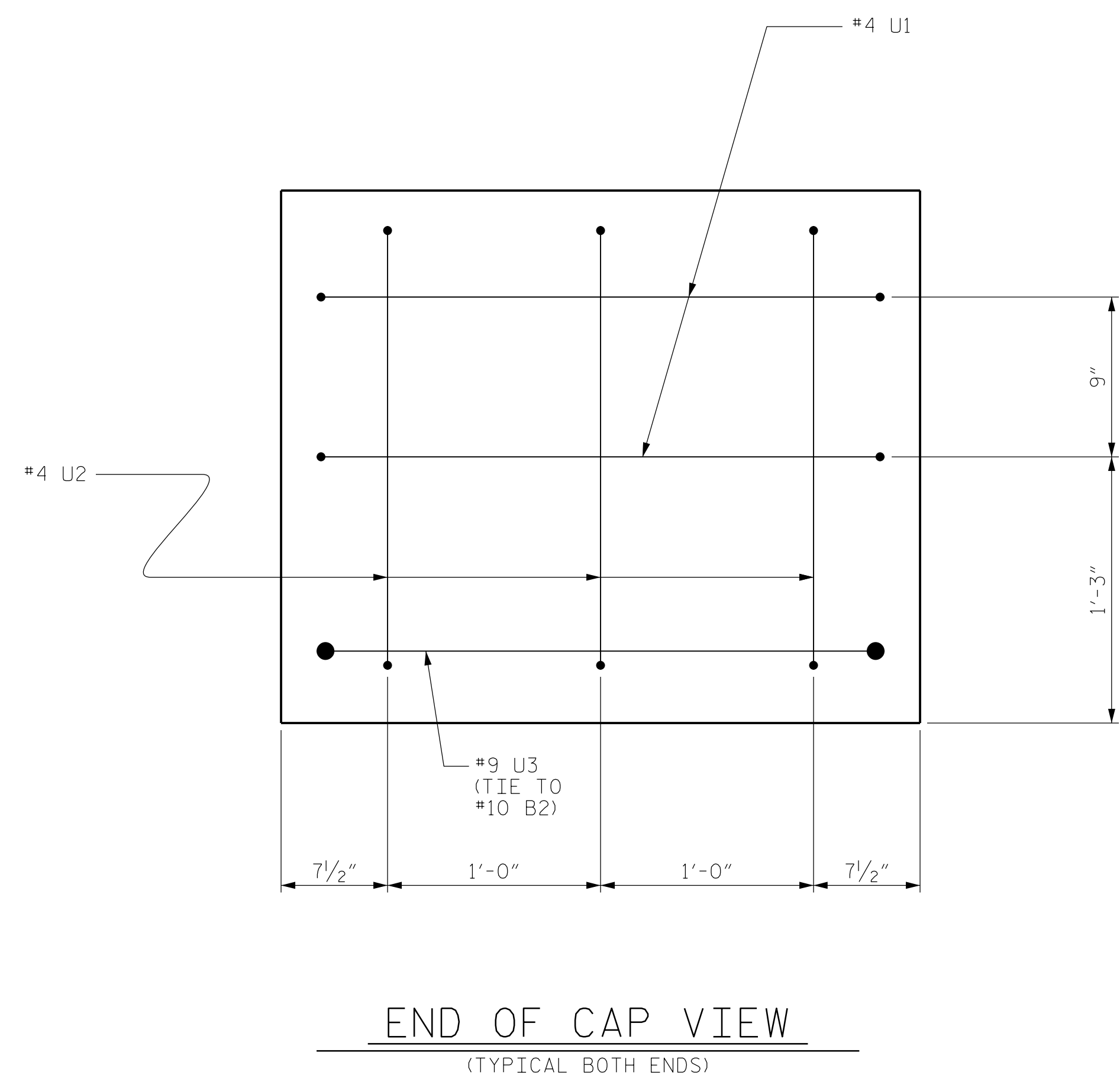


BILL OF MATERIAL FOR ONE BENT

BAR	NO.	SIZE	TYPE	LENGTH	WEIGHT
B1	4	#10		37'-10"	651
B2	4	#10	STR	35'-2"	605
B3	4	#5	STR	35'-2"	147
B4	8	#4	STR	18'-10"	101
B5	9	#4	STR	2'-11"	18
D1	44	#6	STR	1'-6"	99
S1	40	#5	2	8'-1"	337
S2	14	#4	3	6'-6"	61
U1	4	#4	4	5'-10"	16
U2	6	#4	4	5'-0"	20
U3	2	#9	4	10'-1"	69
REINFORCING STEEL (FOR ONE BENT)					2124 LBS
CLASS A CONCRETE BREAKDOWN (FOR ONE BENT)					
TOTAL CLASS A CONCRETE					10.7 C.Y.
HP 12 X 53 GALVANIZED STEEL PILES (FOR ONE BENT)					
No. 7					LIN. FT. 392



PROJECT NO. B-5333
ROBESON COUNTY
 STATION: 21+57.00 -L-
 SHEET 2 OF 2 BRIDGE NO. 173

Dewberry
 2610 WYCLIFF ROAD
 SUITE 410
 RALEIGH, NC 27607
 PHONE: 919.881.9939
 NC COA No. F-0929

SEAL
 032076
 ENGINEER
 JENNIFER R. MEROY

DocuSigned by:
 Jennifer R. Meroy 6/6/2016
 E1114C791288475...

STATE OF NORTH CAROLINA
 DEPARTMENT OF TRANSPORTATION
 RALEIGH

SUBSTRUCTURE
 BENT No. 4

REVISIONS					
No.	BY:	DATE:	No.	BY:	DATE:
1			3		
2			4		

SHEET No. S01-22
 TOTAL SHEETS 24

6/2/2016 8:17:45 AM
 USER: mbelisle

DRAWN BY : MTB DATE : 04/16
 CHECKED BY : JRM DATE : 04/16