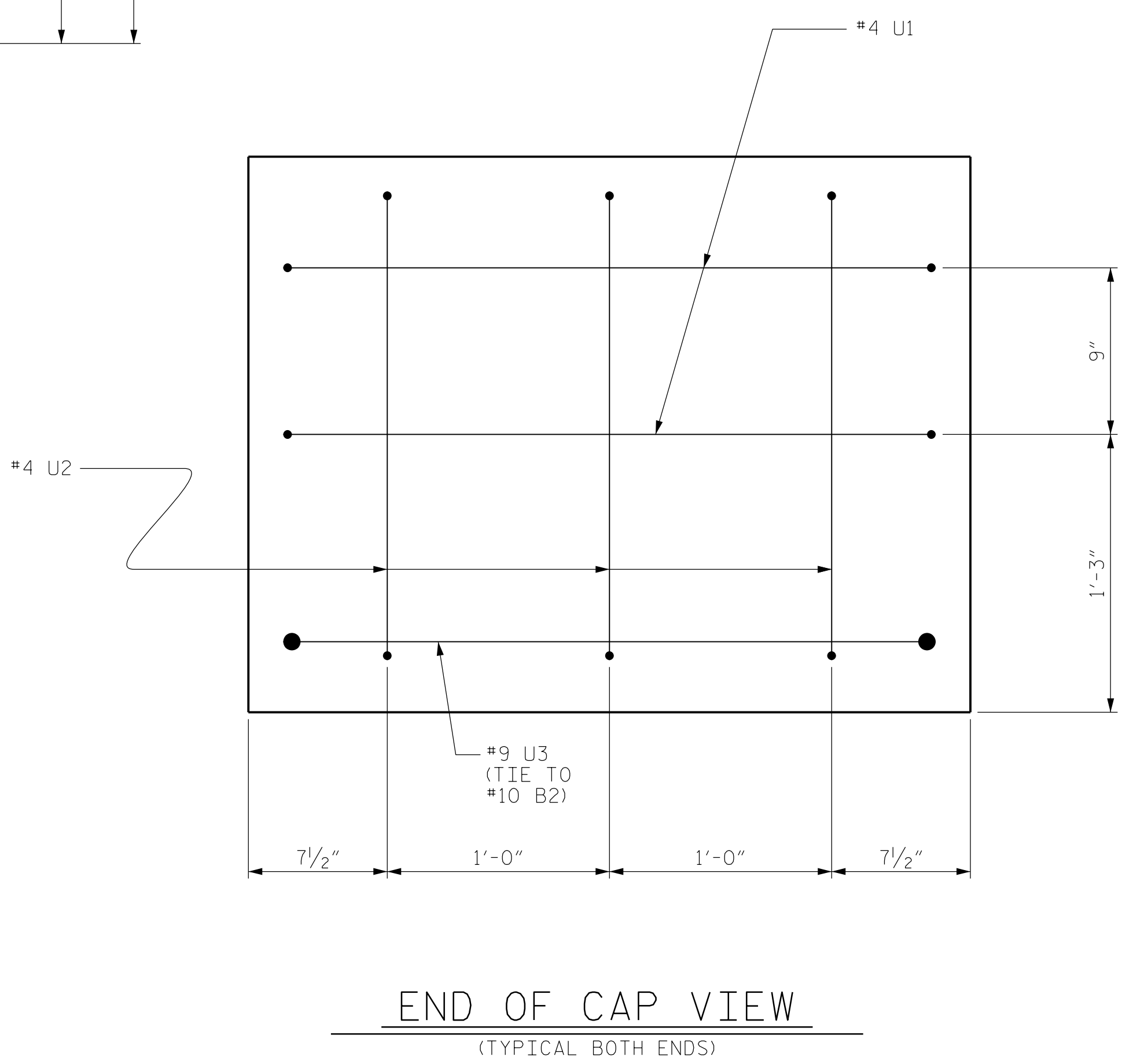


BILL OF MATERIAL FOR ONE BENT					
BAR	NO.	SIZE	TYPE	LENGTH	WEIGHT
B1	4	#10	1	37'-10"	651
B2	4	#10	STR	35'-2"	605
B3	4	#5	STR	35'-2"	147
B4	8	#4	STR	18'-10"	101
B5	9	#4	STR	2'-11"	18
D1	44	#6	STR	1'-6"	99
S1	42	#5	2	8'-1"	354
S2	10	#4	3	8'-7"	57
U1	4	#4	4	5'-10"	16
U2	6	#4	4	5'-0"	20
U3	2	#9	4	10'-1"	69
REINFORCING STEEL (FOR ONE BENT)					2137 LBS
CLASS A CONCRETE BREAKDOWN (FOR ONE BENT)					
TOTAL CLASS A CONCRETE					▲ 10.1 C.Y.
PP 18 x 0.50 GALVANIZED STEEL PILES (FOR ONE BENT)					
No. 5					LIN. FT. 405
PIPE PILE PLATES					No. = 5
PILE EXCAVATION IN SOIL					LIN. FT. 0
PILE EXCAVATION NOT IN SOIL					LIN. FT. 0

ALL BAR DIMENSIONS ARE OUT TO OUT.



▲ CONCRETE DISPLACED BY THE PP 18 x 0.50 GALVANIZED STEEL PILES HAS BEEN DEDUCTED FROM THE CONCRETE QUANTITY.

PROJECT NO. B-5333
ROBESON COUNTY
 STATION: 21+57.00 -L-

SHEET 2 OF 3 BRIDGE NO. 173

Dewberry
 2610 WYCLIFF ROAD
 SUITE 410
 RALEIGH, NC 27607
 PHONE: 919.881.9939
 NC COA No. F-0929

SEAL
 032076
 ENGINEER
 JENNIFER R. McROY

Drawn/Designed by:
 Jennifer R. McRoy 6/6/2016
 E1114C791286475

REVISIONS					
No.	BY:	DATE:	No.	BY:	DATE:
1			3		
2			4		

SHEET No. **S01-16**
 TOTAL SHEETS 24

6/2/2016 8:50:48 AM
 USER: mbelisle
 DRAWN BY : MTB DATE : 04/16
 CHECKED BY : JRM DATE : 04/16