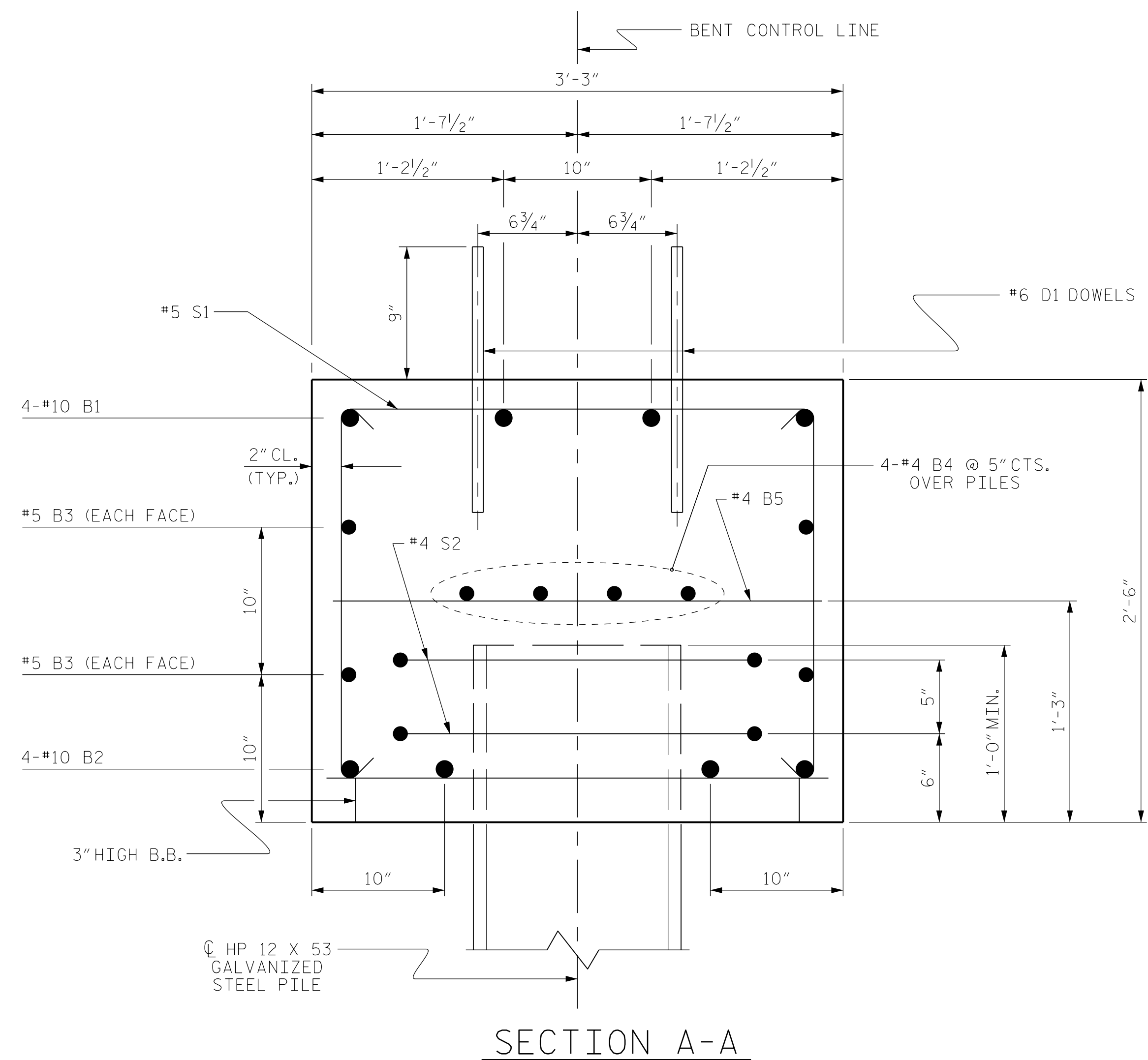
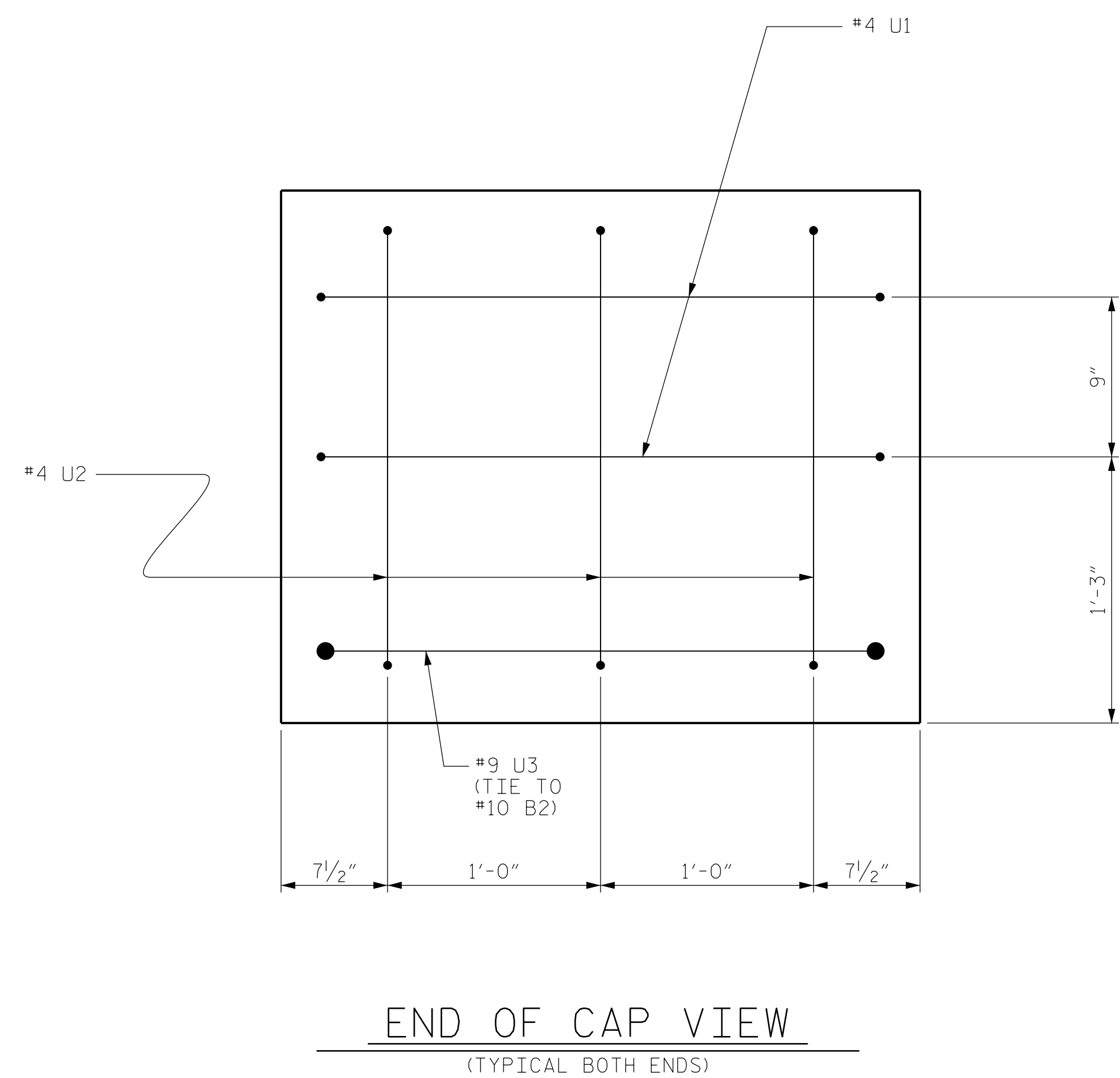


**BILL OF MATERIAL FOR ONE BENT**

BAR	NO.	SIZE	TYPE	LENGTH	WEIGHT
B1	4	#10		37'-10"	651
B2	4	#10	STR	35'-2"	605
B3	4	#5	STR	35'-2"	147
B4	8	#4	STR	18'-10"	101
B5	9	#4	STR	2'-11"	18
D1	44	#6	STR	1'-6"	99
S1	40	#5		8'-1"	337
S2	14	#4		6'-6"	61
U1	4	#4		5'-10"	16
U2	6	#4		5'-0"	20
U3	2	#9		10'-1"	69
REINFORCING STEEL (FOR ONE BENT)					2124 LBS
CLASS A CONCRETE BREAKDOWN (FOR ONE BENT)					
TOTAL CLASS A CONCRETE					10.7 C.Y.
HP 12 X 53 GALVANIZED STEEL PILES (FOR ONE BENT)					
No. 7					LIN. FT. 462



PROJECT NO. B-5333  
ROBESON COUNTY  
 STATION: 21+57.00 -L-  
 SHEET 2 OF 2 BRIDGE NO. 173

**Dewberry**  
 2610 WYCLIFF ROAD  
 SUITE 410  
 RALEIGH, NC 27607  
 PHONE: 919.881.9939  
 NC COA No. F-0929

SEAL 032076  
 ENGINEER  
 JENNIFER R. MEROY

DocuSigned by:  
 Jennifer R. Meroy 6/6/2016  
 E1144C791288475..

STATE OF NORTH CAROLINA  
 DEPARTMENT OF TRANSPORTATION  
 RALEIGH

SUBSTRUCTURE  
 BENT No. 1

REVISIONS					
No.	BY:	DATE:	No.	BY:	DATE:
1			3		
2			4		

SHEET No. **S01-14**  
 TOTAL SHEETS 24

6/2/2016 8:00:57 AM  
 USER: mbelisle

DRAWN BY : MTB DATE : 04/16  
 CHECKED BY : JRM DATE : 04/16