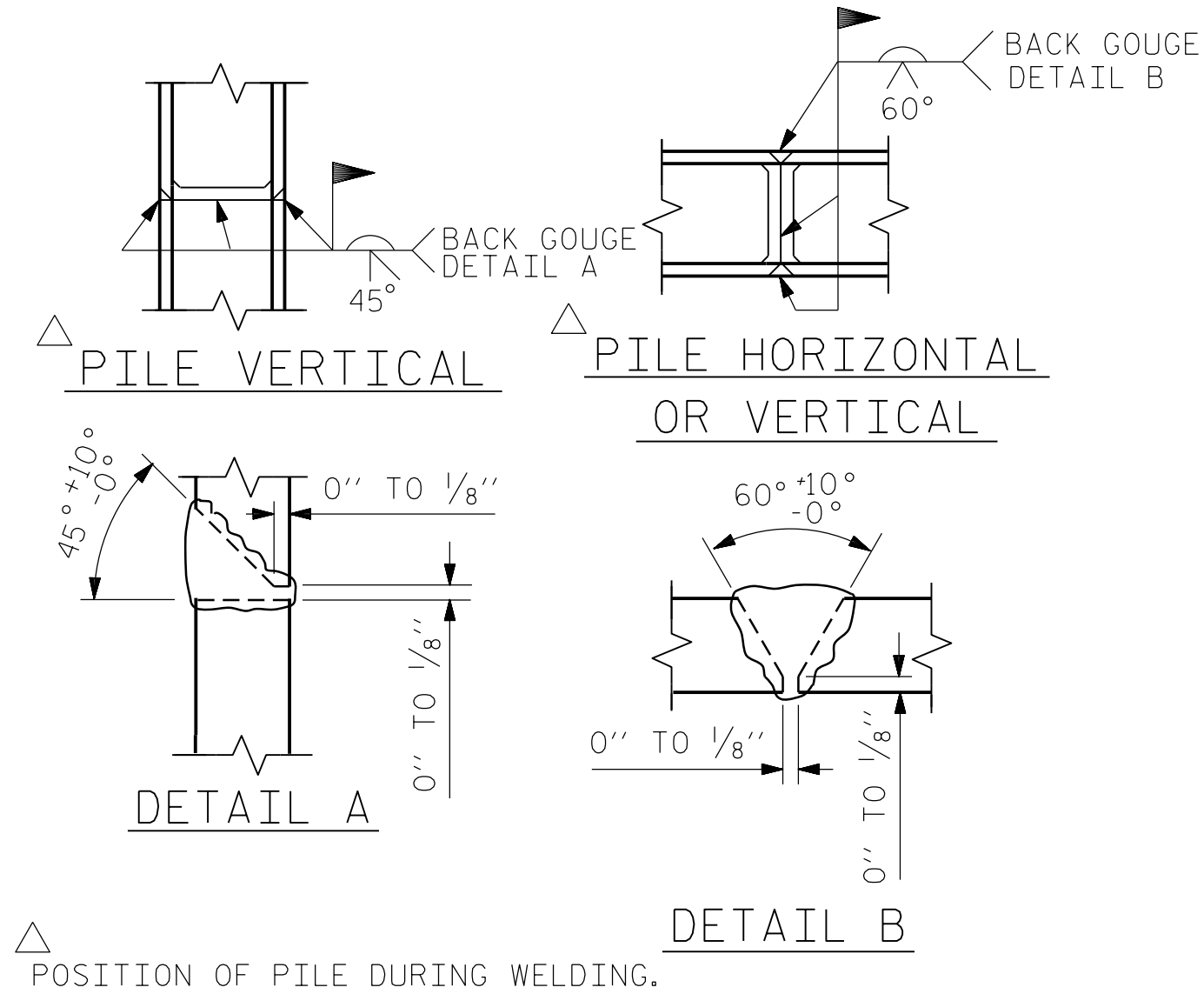


BAGGED STONE AND PIPE SHALL BE PLACED IMMEDIATELY AFTER COMPLETION OF END BENT EXCAVATION. PIPE MAY BE EITHER CONCRETE, CORRUGATED STEEL, CORRUGATED ALUMINUM ALLOY, OR CORRUGATED PLASTIC. PERFORATED PIPE WILL NOT BE ALLOWED.

BAGGED STONE SHALL REMAIN IN PLACE UNTIL THE ENGINEER DIRECTS THAT IT BE REMOVED. THE CONTRACTOR SHALL REMOVE AND DISPOSE OF SILT ACCUMULATIONS AT BAGGED STONE WHEN SO DIRECTED BY THE ENGINEER. BAGS SHALL BE REMOVED AND REPLACED WHENEVER THE ENGINEER DETERMINES THAT THEY HAVE DETERIORATED AND LOST THEIR EFFECTIVENESS.

NO SEPARATE PAYMENT WILL BE MADE FOR THIS WORK AND THE ENTIRE COST OF THIS WORK SHALL BE INCLUDED IN THE UNIT CONTRACT PRICE BID FOR THE SEVERAL PAY ITEMS.

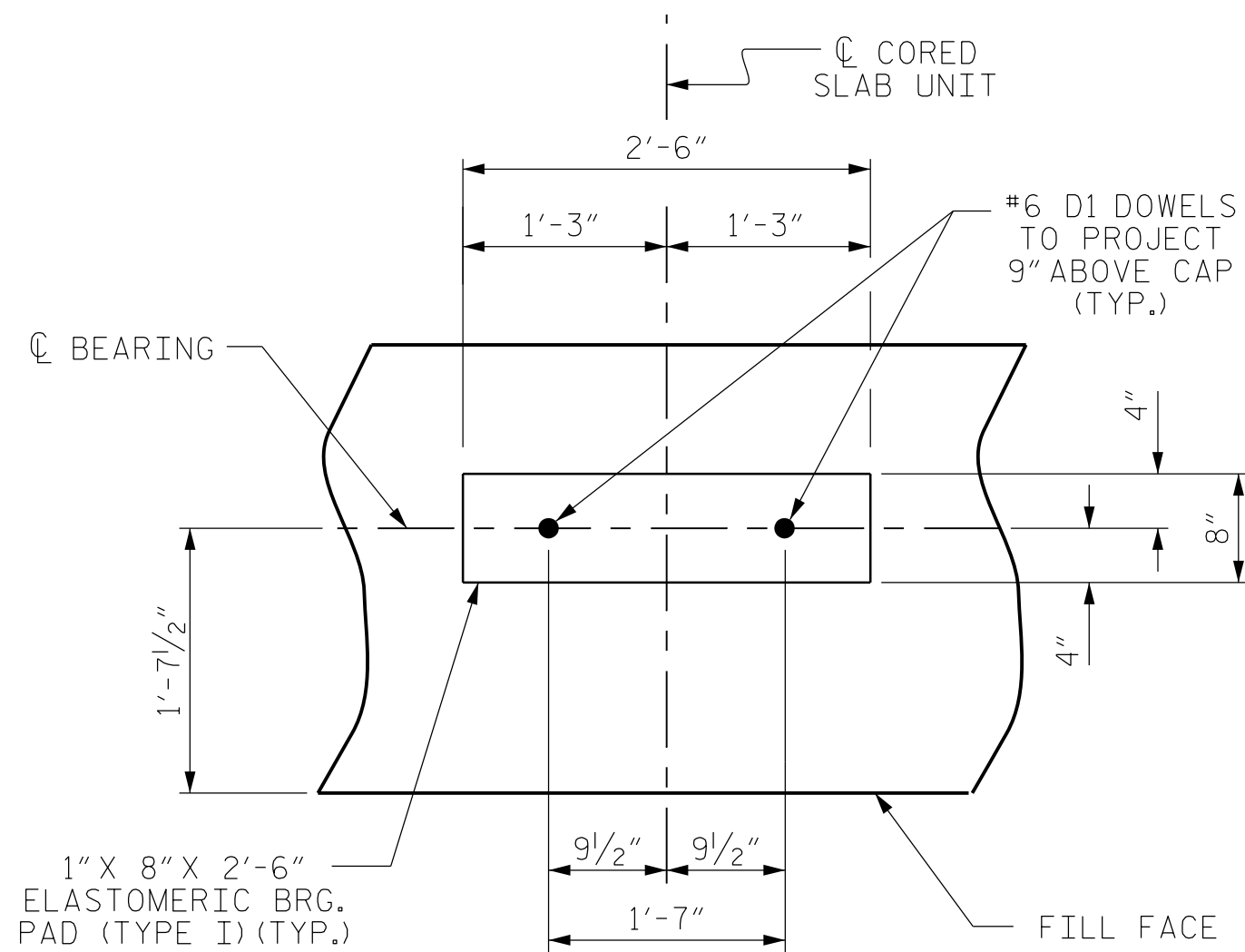
TEMPORARY DRAINAGE AT END BENT



PILE SPLICE DETAILS

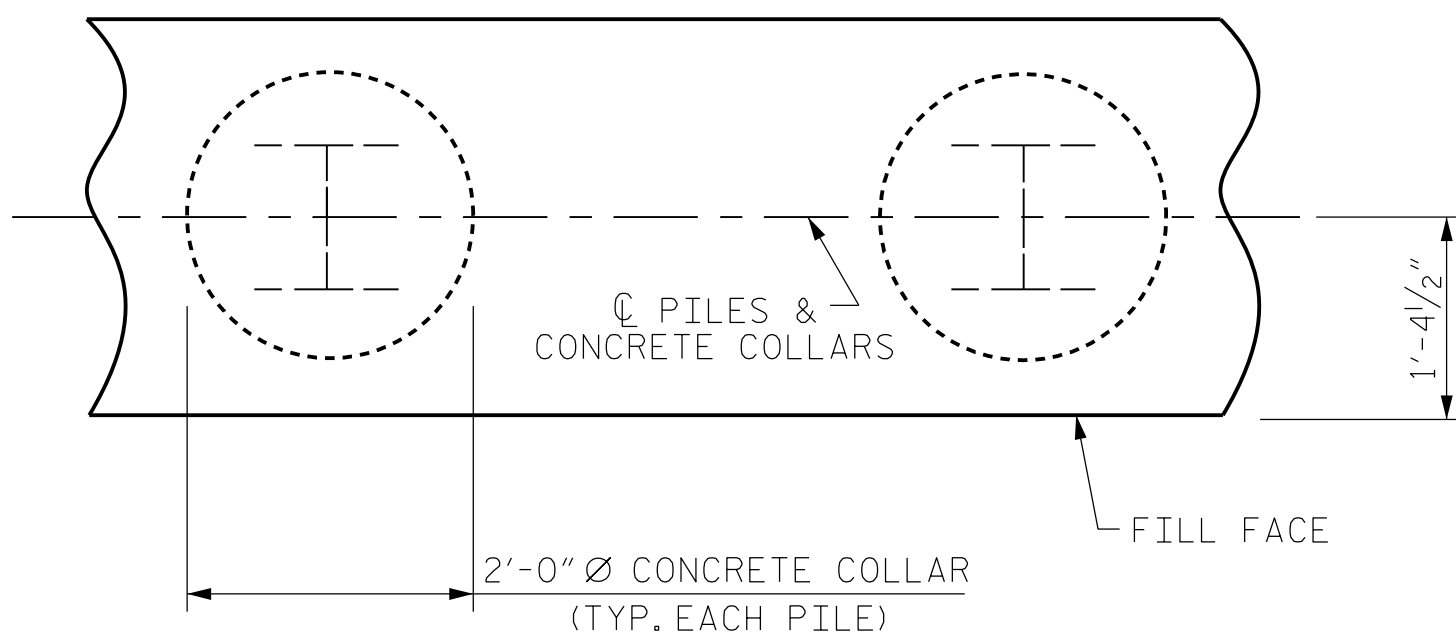
BILL OF MATERIAL FOR ONE END BENT					
BAR NO.	NO.	SIZE	TYPE	LENGTH	WEIGHT
B1	8	#11		41'-8"	1771
B2	28	#4	STR	20'-7"	385
B3	10	#4	STR	2'-5"	16
D1	22	#6	STR	1'-6"	50
H1	40	#4	2	9'-4"	249
K1	16	#4	STR	2'-11"	31
S1	50	#4	3	10'-5"	348
S2	50	#4	4	3'-2"	106
S3	20	#4	5	6'-6"	87
V1	52	#4	STR	6'-2"	214
REINFORCING STEEL (FOR ONE END BENT)					3257 LBS.
CLASS A CONCRETE BREAKDOWN (FOR ONE END BENT)					
POUR #1	CAP, LOWER PART OF WINGS & COLLARS				19.5 C.Y.
POUR #2	UPPER PART OF WINGS				2.1 C.Y.
TOTAL CLASS A CONCRETE					21.6 C.Y.

BAR TYPES	
END BENT No. 1 HP 12 X 53 STEEL PILES NO: 5 LIN. FT. = 260	END BENT No. 2 HP 12 X 53 STEEL PILES NO: 5 LIN. FT. = 285



DETAIL "A"

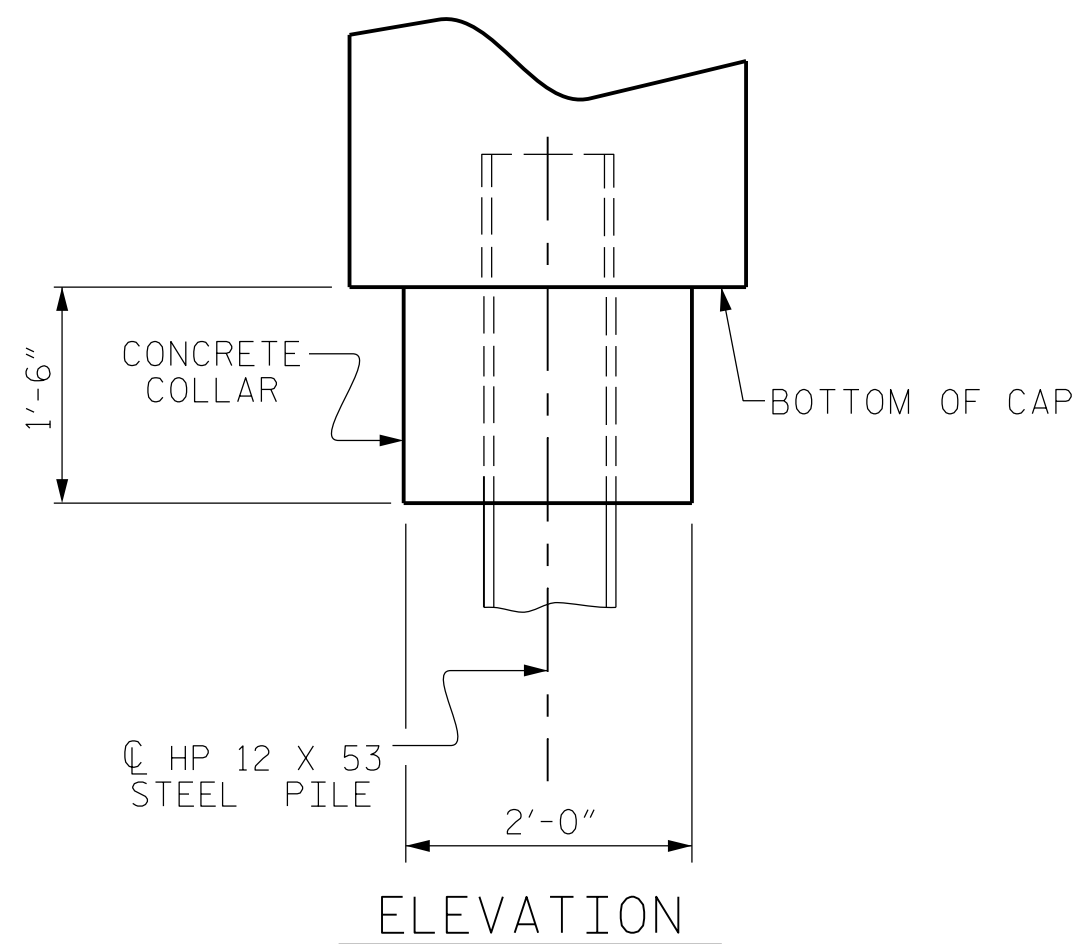
(END BENT No. 1 SHOWN, END BENT No. 2 SIMILAR BY ROTATION) (DIMENSIONS ARE TYPICAL EACH BEARING)



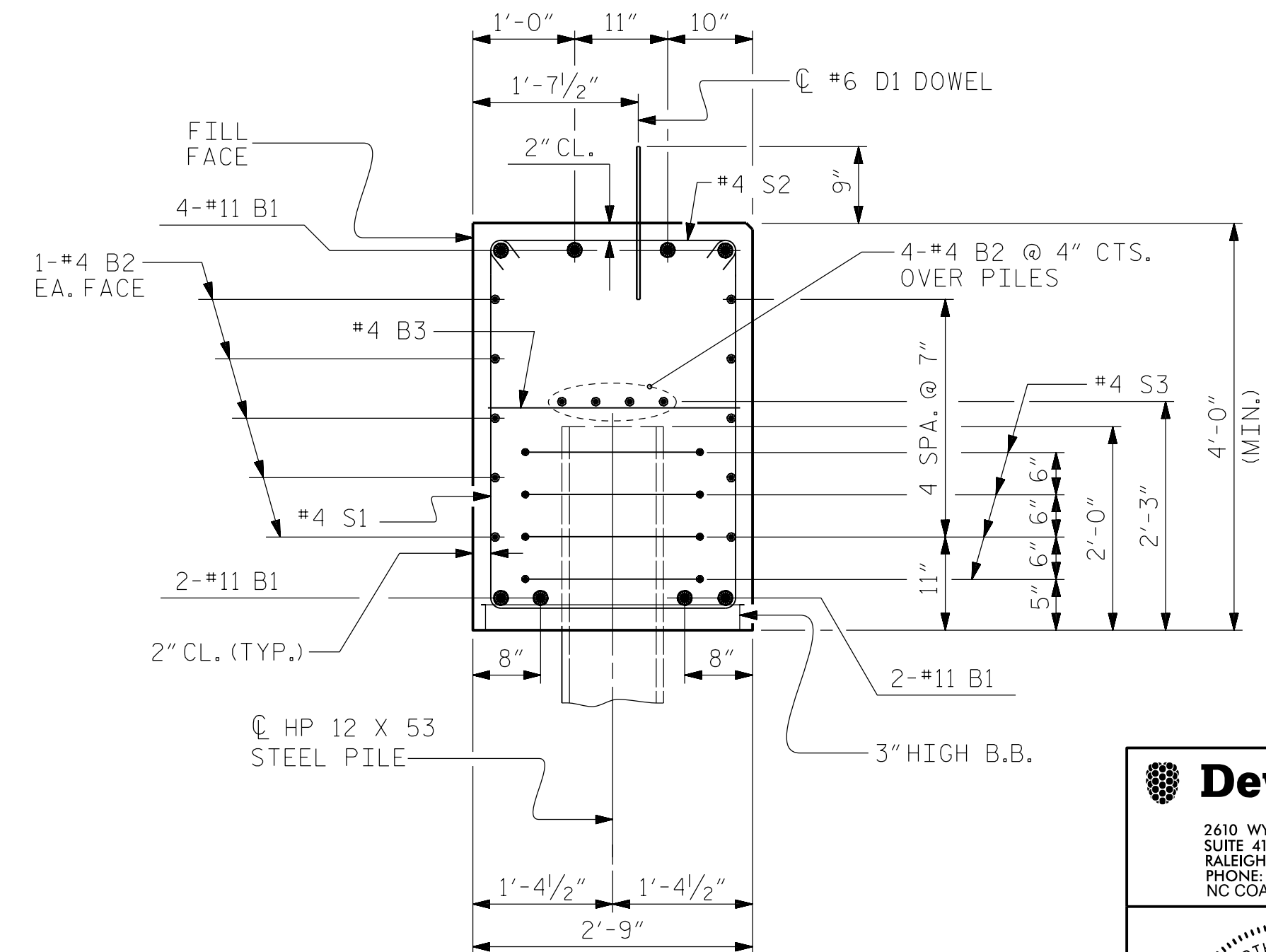
PLAN

CORROSION PROTECTION FOR STEEL PILES DETAIL

(END BENT No. 1 SHOWN, END BENT No. 2 SIMILAR BY ROTATION)



ELEVATION



SECTION A-A

(CONCRETE COLLAR NOT SHOWN FOR CLARITY. SEE "CORROSION PROTECTION FOR STEEL PILES DETAIL.")

PROJECT NO. B-5333
ROBESON COUNTY
STATION: 21+57.00 -L-

SHEET 4 OF 4 BRIDGE NO. 173

Dewberry
2610 WYCLIFF ROAD
SUITE 410
RALEIGH, NC 27607
PHONE: 919.881.9939
NC COA No. F-0929

NORTH CAROLINA PROFESSIONAL ENGINEER
SEAL 032076
JENNIFER R. McROY

STATE OF NORTH CAROLINA
DEPARTMENT OF TRANSPORTATION
RALEIGH
SUBSTRUCTURE
END BENT No. 1 & 2
DETAILS

REVISIONS						SHEET No.
No.	BY:	DATE:	No.	BY:	DATE:	S01-12
1			3			TOTAL SHEETS
2			4			24

DRAWN BY : MTB DATE : 04/16
CHECKED BY : JRM DATE : 04/16

6/2/2016 8:13:34 AM
C:\Users\jrb\Documents\173.EBTDTL.dgn
USER: jrb