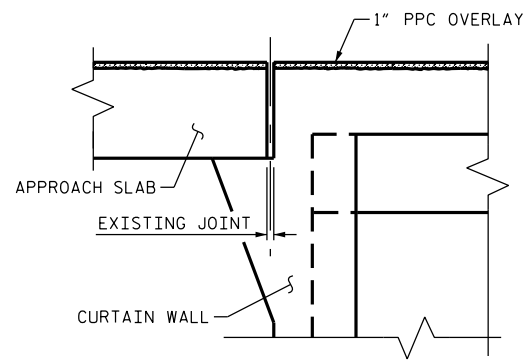
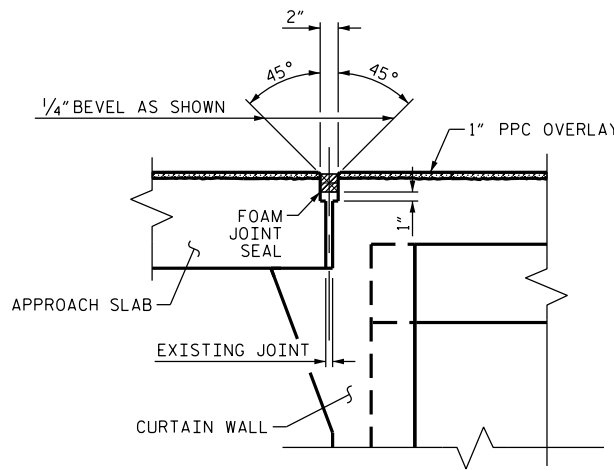


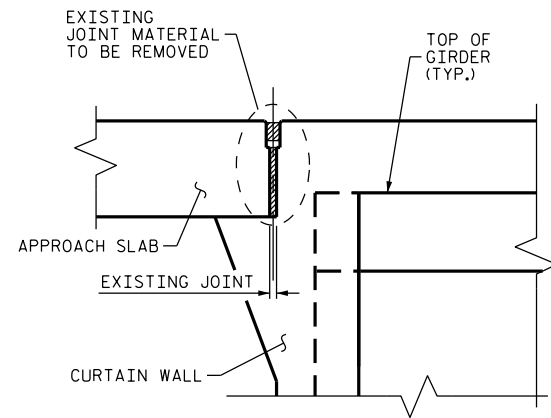
EXISTING JOINT



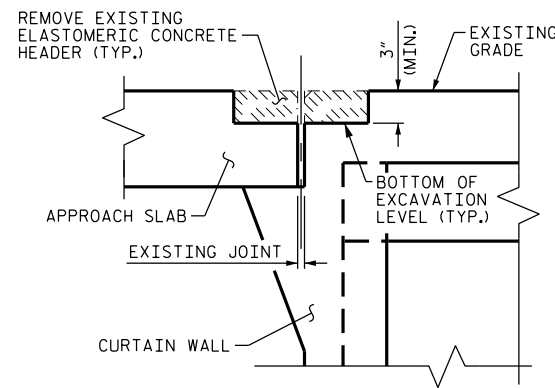
PROPOSED JOINT PRE-SAWED



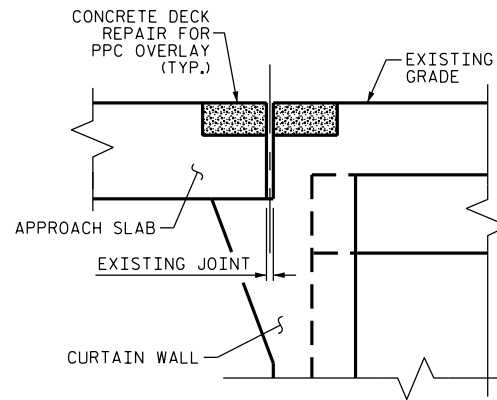
PROPOSED FOAM JOINT SEAL



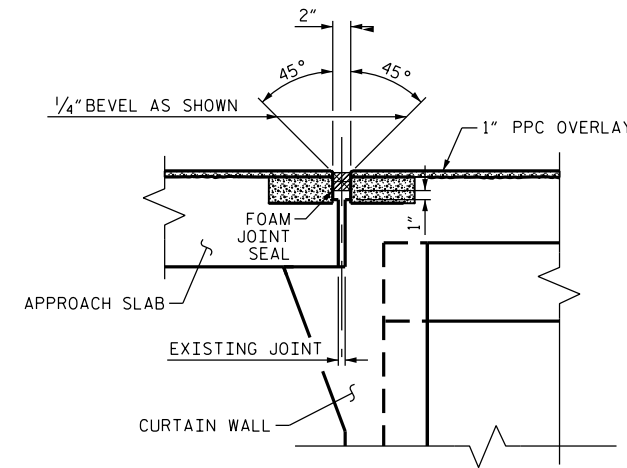
EXISTING JOINT



PROPOSED JOINT DEMOLITION



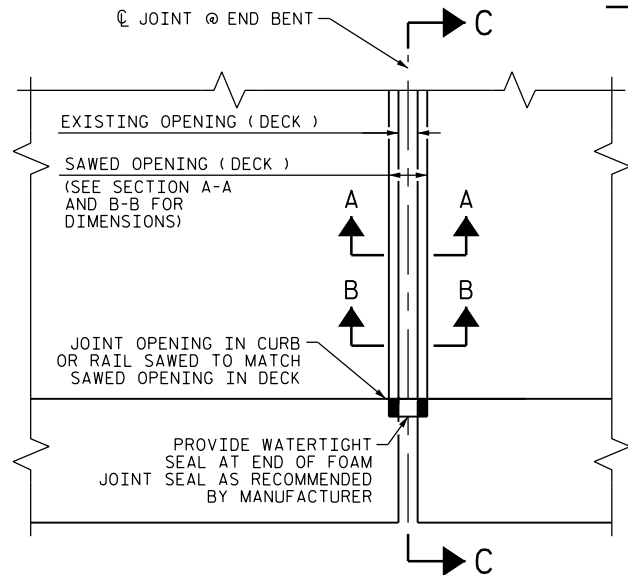
PROPOSED JOINT PRE-SAWED AND PRE-OVERLAY



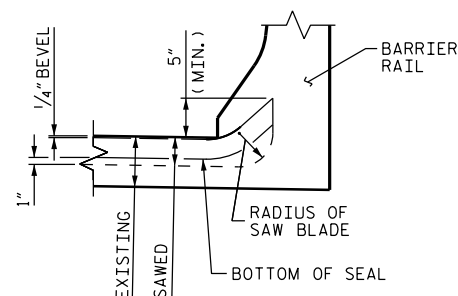
PROPOSED FOAM JOINT SEAL

SECTION B-B

DEMOLISH BRIDGE JOINT AREA TO THE NECESSARY DEPTH, SUCH THAT CONCRETE REPAIR SHALL BE FOUNDED ON SOUND CONCRETE SUBSTRATE.



PLAN



SECTION C-C

PROJECT NO. I-5894  
GASTON COUNTY  
BRIDGE NO. 159

SHEET 1 OF 2

DocuSigned by:  
*John A. Yanniccone*  
7BC...  
NORTH CAROLINA PROFESSIONAL SEAL 32492  
JOHN A. YANNICCONE  
ENGINEER

1/29/2017

STATE OF NORTH CAROLINA  
DEPARTMENT OF TRANSPORTATION  
RALEIGH

JOINT DETAILS  
(END BENTS)

DRAWN BY : S. WANCE DATE : 01/2017  
CHECKED BY : J. YANNACONE DATE : 01/2017

DOCUMENT NOT CONSIDERED FINAL UNLESS ALL SIGNATURES COMPLETED

REVISIONS						SHEET NO.
NO.	BY:	DATE:	NO.	BY:	DATE:	S-25
1			3			TOTAL SHEETS
2			4			27