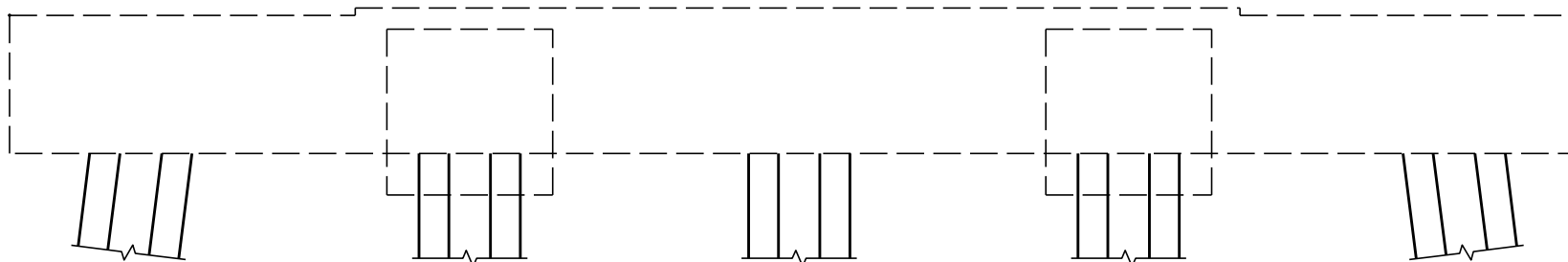
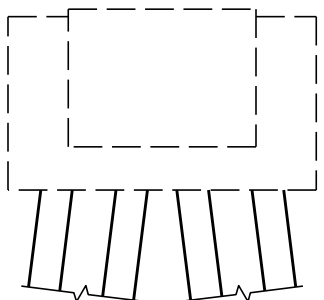


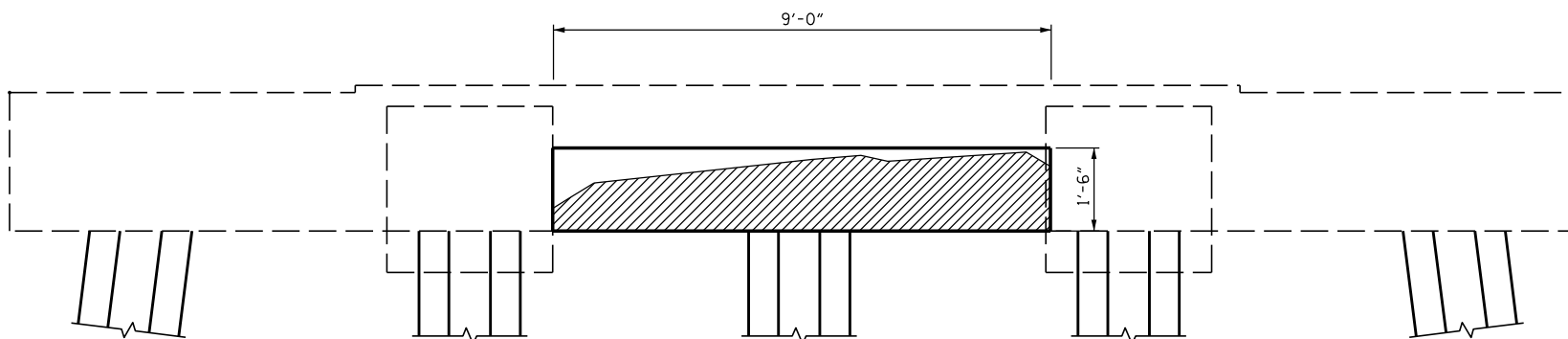
SIDE VIEW
NORTH FACE



ELEVATION
WEST FACE



SIDE VIEW
SOUTH FACE



ELEVATION
EAST FACE



PROPOSED REPAIR AREAS



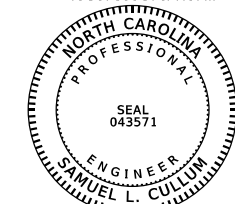
SUBSTRUCTURE SPALL/DELAMINATION

DRAWN BY : T. S. CHILDRESS DATE : 07-16
 CHECKED BY : S. L. CULLUM DATE : 07-16
 DESIGN ENGINEER OF RECORD: S. L. CULLUM DATE : 07-16

*****SYSTEM*****
 *****SDGN*****
 *****USERNAME*****

DocuSigned by:
Samuel Cullum

19C97095C75A467...



12/13/2016

PROJECT NO. B-5937
CURRITUCK/DARE COUNTY
 STATION: BRIDGE NO. 16

STATE OF NORTH CAROLINA DEPARTMENT OF TRANSPORTATION RALEIGH						SHEET NO.
SUBSTRUCTURE CONC. REPAIR - BENT 222						S-241
REVISIONS						TOTAL SHEETS
NO.	BY:	DATE:	NO.	BY:	DATE:	
1			3			3
2			4			4

DOCUMENT NOT CONSIDERED
 FINAL UNLESS ALL
 SIGNATURES COMPLETED