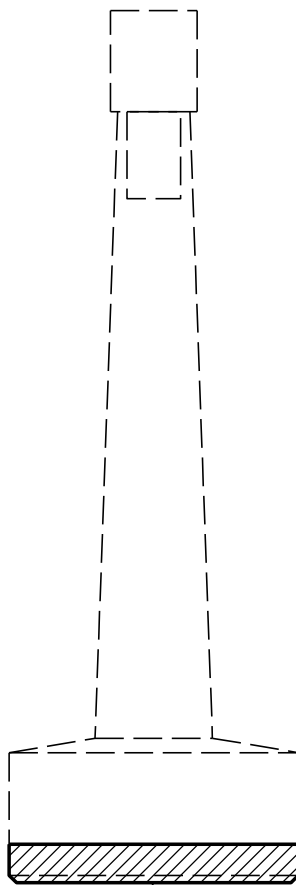
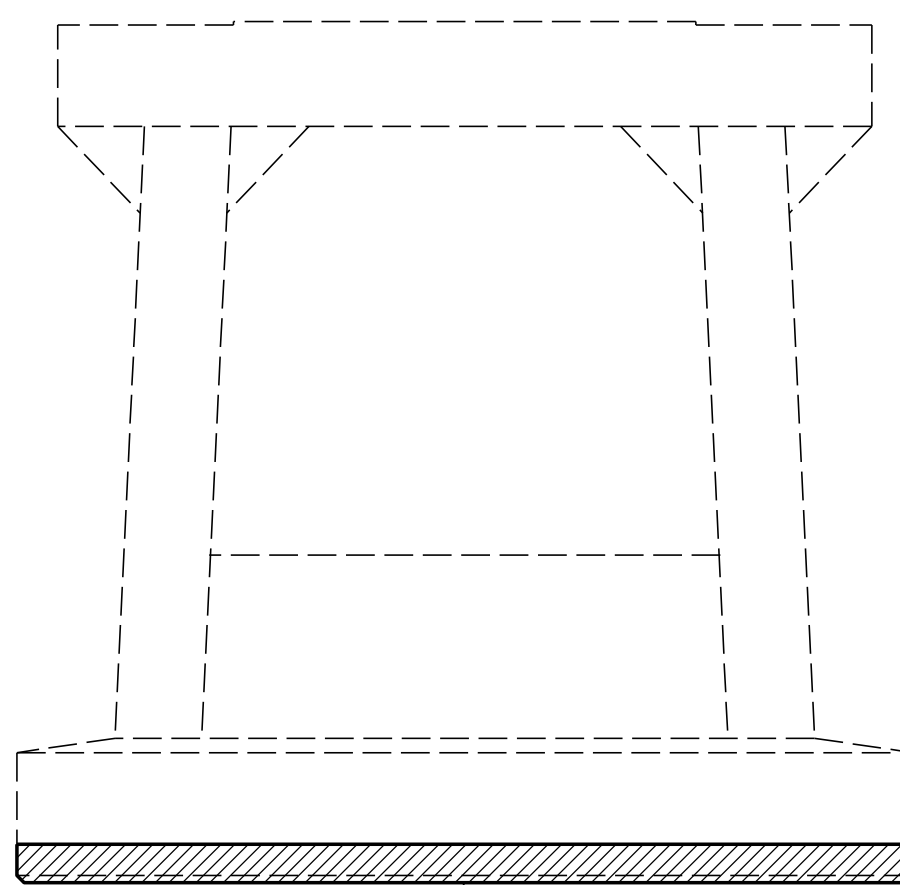


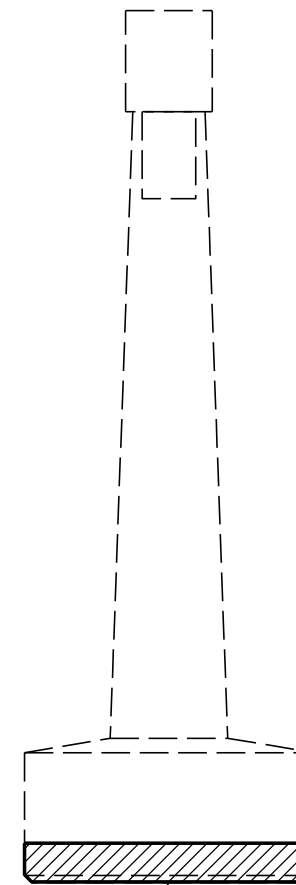
SEE NOTE BELOW
ELEVATION
WEST FACE



SEE NOTE BELOW
SIDE VIEW
SOUTH FACE



SEE NOTE BELOW
ELEVATION
EAST FACE



SEE NOTE BELOW
SIDE VIEW
NORTH FACE

NOTE - SEE CHANNEL BENT FOOTING RESTORATION SHEET



PROPOSED REPAIR AREAS

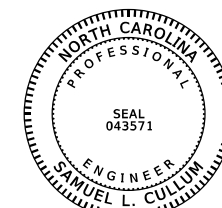


SUBSTRUCTURE SPALL/DELAMINATION

DRAWN BY : J. B. HANNA DATE : 07-16
 CHECKED BY : S. L. CULLUM DATE : 07-16
 DESIGN ENGINEER OF RECORD: S. L. CULLUM DATE : 07-16

*****SYSTEM*****
 *****SDGN*****
 *****USERNAME*****

DocuSigned by:
 Samuel Cullum
 19C97095C75A467...



12/13/2016

PROJECT NO. B-5937
 CURRITUCK/DARE COUNTY
 STATION: BRIDGE NO. 16

STATE OF NORTH CAROLINA
 DEPARTMENT OF TRANSPORTATION
 RALEIGH

SUBSTRUCTURE CONC.
 REPAIR - BENT 184

DOCUMENT NOT CONSIDERED
 FINAL UNLESS ALL
 SIGNATURES COMPLETED

REVISIONS						SHEET NO.
NO.	BY:	DATE:	NO.	BY:	DATE:	S-203
1			3			TOTAL SHEETS
2			4			