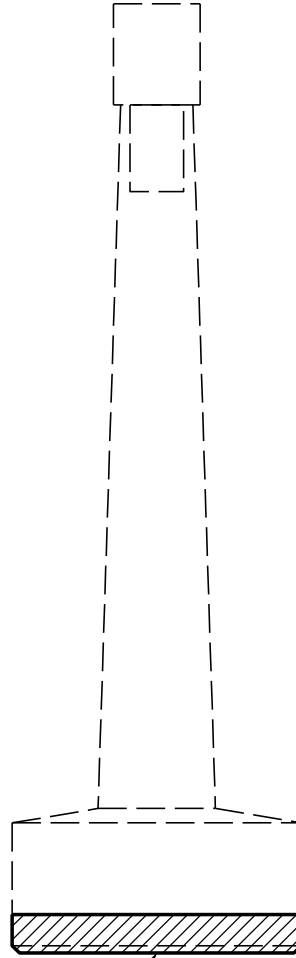
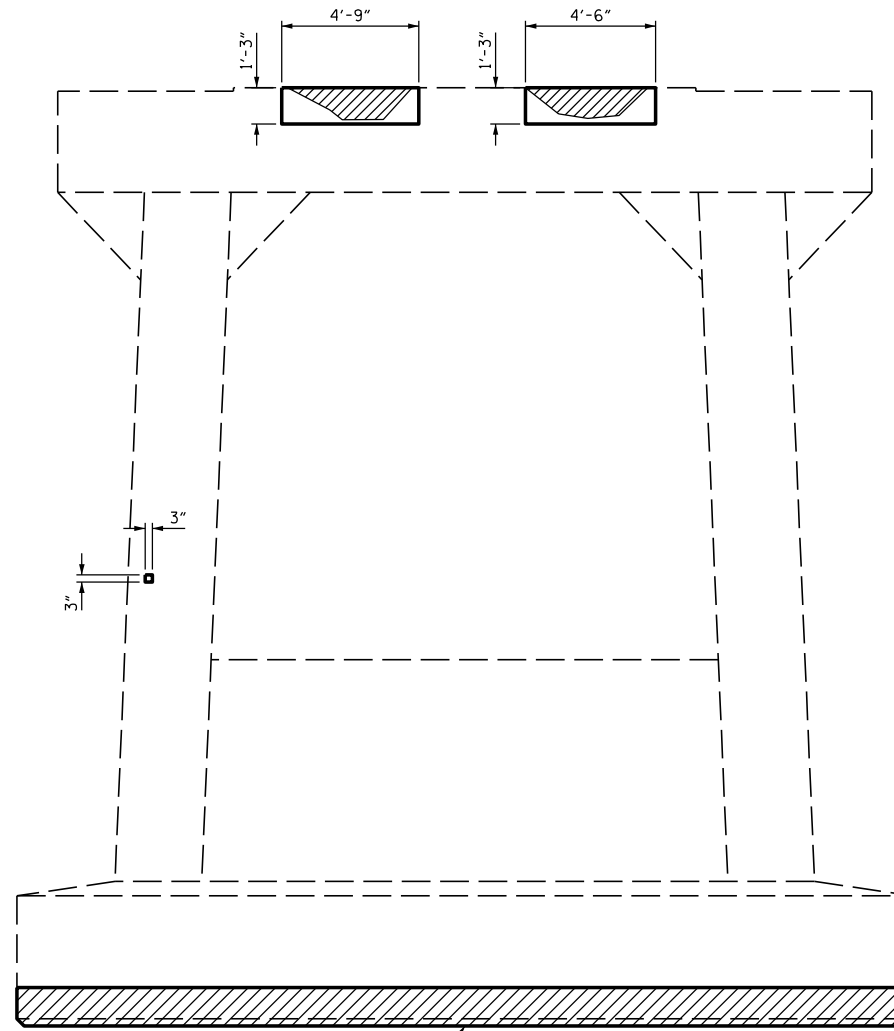


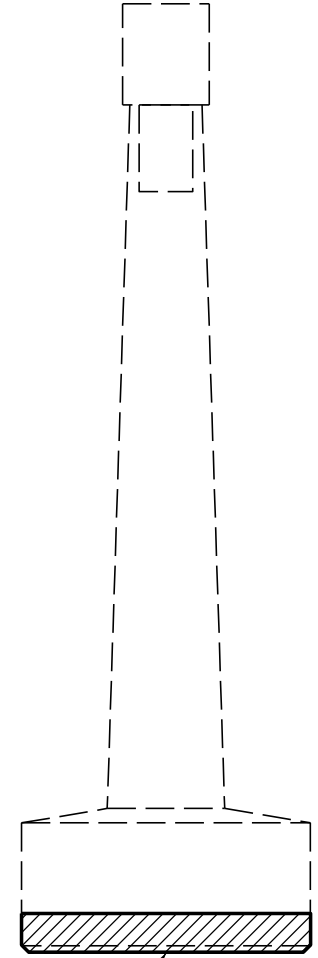
SEE NOTE BELOW  
**ELEVATION**  
 WEST FACE



SEE NOTE BELOW  
**SIDE VIEW**  
 SOUTH FACE



SEE NOTE BELOW  
**ELEVATION**  
 EAST FACE



SEE NOTE BELOW  
**SIDE VIEW**  
 NORTH FACE

NOTE - SEE CHANNEL BENT FOOTING RESTORATION SHEET

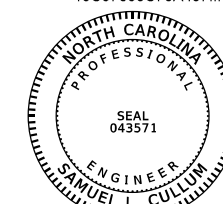


PROPOSED REPAIR AREAS



SUBSTRUCTURE SPALL/DELAMINATION

DocuSigned by:  
*Samuel Cullum*  
 19C97095C75A467...



12/13/2016

PROJECT NO. B-5937  
 CURRITUCK/DARE COUNTY  
 STATION: BRIDGE NO. 16

STATE OF NORTH CAROLINA  
 DEPARTMENT OF TRANSPORTATION  
 RALEIGH

**SUBSTRUCTURE CONC.  
 REPAIR - BENT 176**

DRAWN BY : J. B. HANNA DATE : 07-16  
 CHECKED BY : S. L. CULLUM DATE : 07-16  
 DESIGN ENGINEER OF RECORD: S. L. CULLUM DATE : 07-16

DOCUMENT NOT CONSIDERED  
 FINAL UNLESS ALL  
 SIGNATURES COMPLETED

REVISIONS						SHEET NO.
NO.	BY:	DATE:	NO.	BY:	DATE:	
1			3			S-195
2			4			TOTAL SHEETS