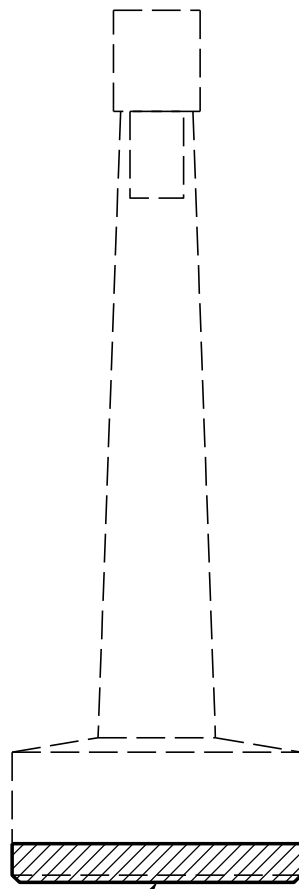
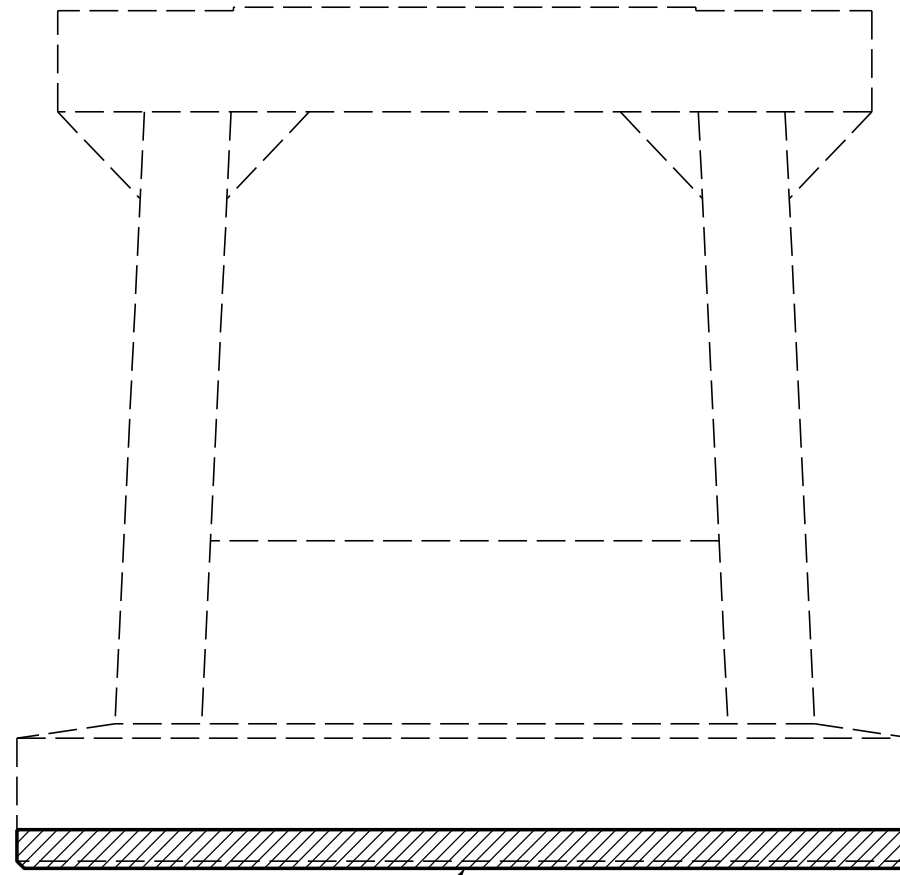


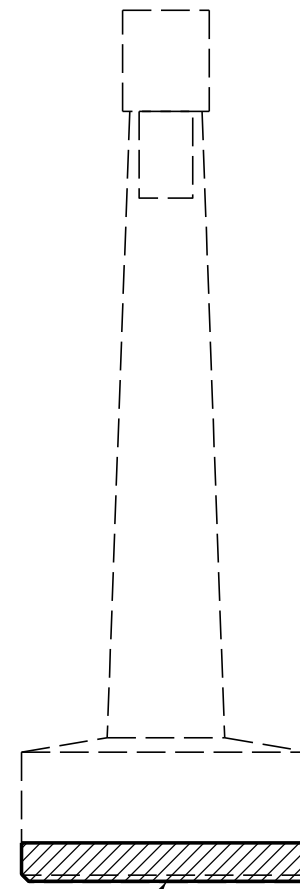
SEE NOTE BELOW  
ELEVATION  
 WEST FACE



SEE NOTE BELOW  
SIDE VIEW  
 SOUTH FACE



SEE NOTE BELOW  
ELEVATION  
 EAST FACE



SEE NOTE BELOW  
SIDE VIEW  
 NORTH FACE

NOTE - SEE CHANNEL BENT FOOTING RESTORATION SHEET



PROPOSED REPAIR AREAS

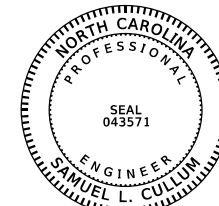


SUBSTRUCTURE SPALL/DELAMINATION

DRAWN BY : J. B. HANNA DATE : 07-16  
 CHECKED BY : S. L. CULLUM DATE : 07-16  
 DESIGN ENGINEER OF RECORD: S. L. CULLUM DATE : 07-16

\*\*\*\*\*SYSTEM\*\*\*\*\*  
 \*\*\*\*\*SDGN\*\*\*\*\*  
 \*\*\*\*\*USERNAME\*\*\*\*\*

DocuSigned by:  
*Samuel Cullum*  
 19C97095C75A467...



12/13/2016

PROJECT NO. B-5937  
CURRITUCK/DARE COUNTY  
 STATION: BRIDGE NO. 16

STATE OF NORTH CAROLINA  
 DEPARTMENT OF TRANSPORTATION  
 RALEIGH  
 SUBSTRUCTURE CONC.  
 REPAIR - BENT 172

DOCUMENT NOT CONSIDERED  
 FINAL UNLESS ALL  
 SIGNATURES COMPLETED

REVISIONS						SHEET NO.
NO.	BY:	DATE:	NO.	BY:	DATE:	TOTAL SHEETS
1			3			S-191
2			4			