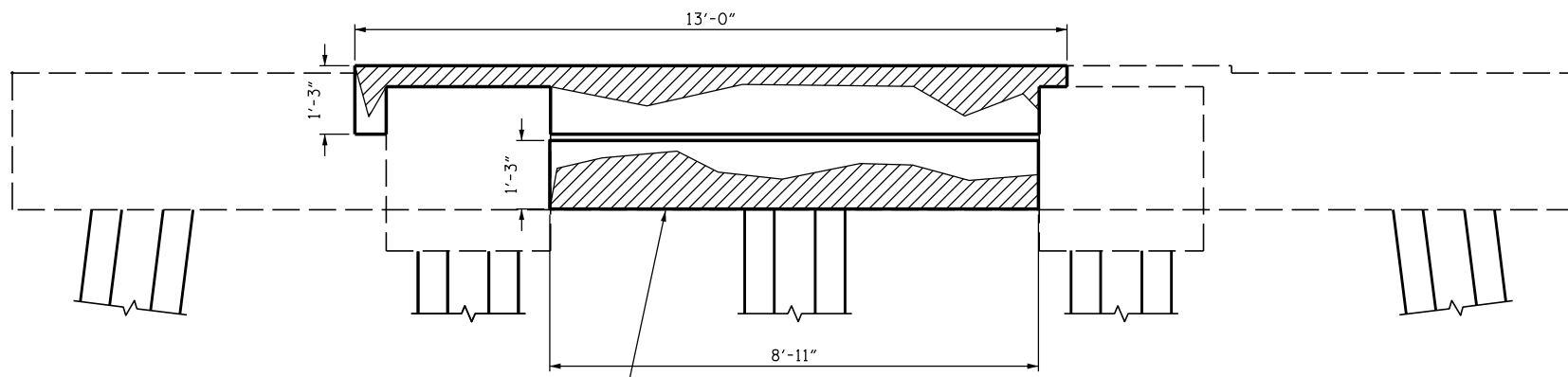
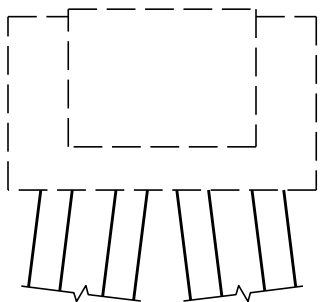


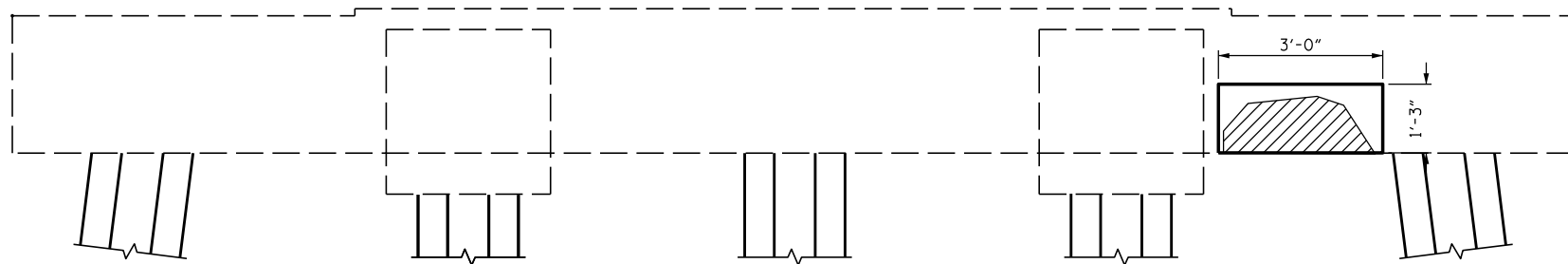
SIDE VIEW
NORTH FACE



ELEVATION
WEST FACE
ANTICIPATE CAP
UNDERSIDE REPAIRS



SIDE VIEW
SOUTH FACE



ELEVATION
EAST FACE



DocuSigned by:
Samuel Cullum
19C4803675A467...
NORTH CAROLINA
PROFESSIONAL
ENGINEER
SEAL
043571
SAMUEL L. CULLUM
12/13/2016

PROJECT NO. B-5937
CURRITUCK/DARE COUNTY
STATION: BRIDGE NO. 16

STATE OF NORTH CAROLINA
DEPARTMENT OF TRANSPORTATION
RALEIGH

SUBSTRUCTURE CONC.
REPAIR - BENT 76

DRAWN BY : J. B. HANNA DATE : 07-16
CHECKED BY : S. L. CULLUM DATE : 07-16
DESIGN ENGINEER OF RECORD: S. L. CULLUM DATE : 07-16

DOCUMENT NOT CONSIDERED
FINAL UNLESS ALL
SIGNATURES COMPLETED

REVISIONS						SHEET NO.
NO.	BY:	DATE:	NO.	BY:	DATE:	TOTAL SHEETS
1			3			S-95
2			4			

*****SYSTEM*****
*****SDGN*****
*****USERNAME*****