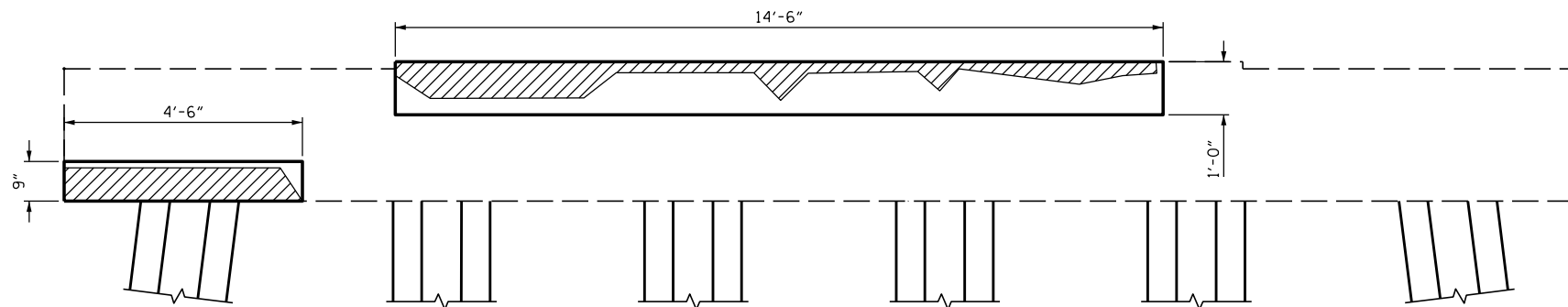
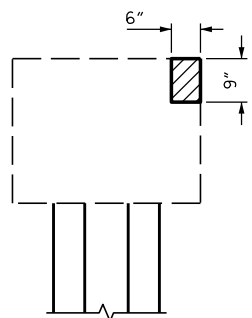


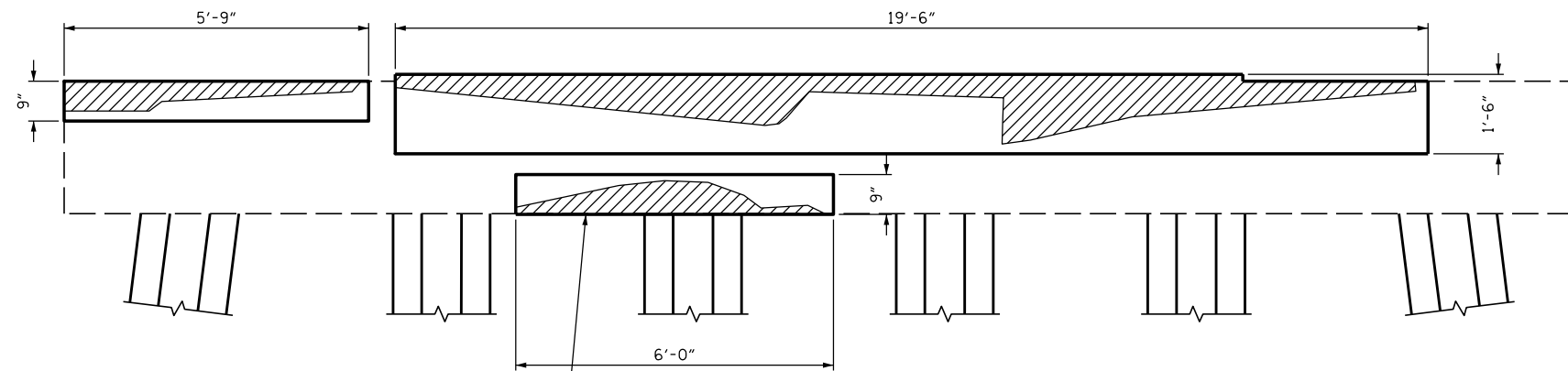
SIDE VIEW
NORTH FACE



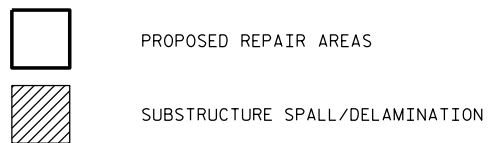
ELEVATION
WEST FACE



SIDE VIEW
SOUTH FACE



ELEVATION
EAST FACE



ANTICIPATE CAP
UNDERSIDE REPAIRS

PROJECT NO. B-5937
 CURRITUCK/DARE COUNTY
 STATION: BRIDGE NO. 16

DocuSigned by:
Samuel Cullum
 10007095C75A467...

 12/13/2016

STATE OF NORTH CAROLINA
 DEPARTMENT OF TRANSPORTATION
 RALEIGH
 SUBSTRUCTURE CONC.
 REPAIR - BENT 38

DRAWN BY : J. H. DUKE DATE : 07-16
 CHECKED BY : S. L. CULLUM DATE : 07-16
 DESIGN ENGINEER OF RECORD: S. L. CULLUM DATE : 07-16

DOCUMENT NOT CONSIDERED
 FINAL UNLESS ALL
 SIGNATURES COMPLETED

REVISIONS						SHEET NO.
NO.	BY:	DATE:	NO.	BY:	DATE:	TOTAL SHEETS
1			3			S-57
2			4			

*****SYSTEM*****
 *****SDGN*****
 *****USERNAME*****